



A Polyhydron Group Company

RADIAL PISTON PUMP 1R

ENGINEERING

1

Ref. No. P04890

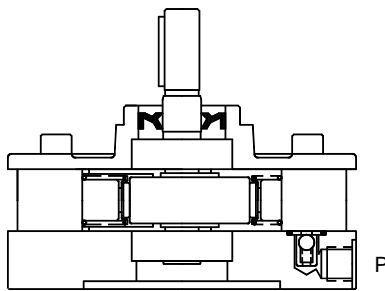
Release 08/2011

Description

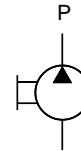
Radial piston arrangement, with 3, 5 or 7 pumping elements.
Oil immersed face mounting. Valve controlled. Fixed delivery.
Bi-directional rotation of shaft. With extension shaft for through
drive. Available with extension bracket assembly for coupling a
low pressure pump having standard flange.



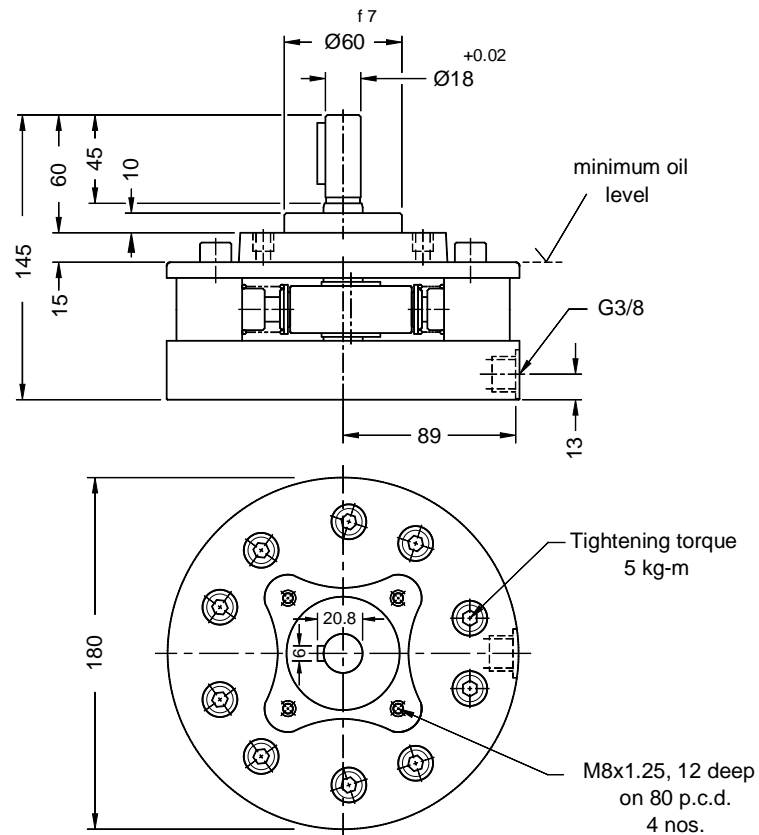
Section



Hydraulic Symbol



Unit dimension



Polyhydron Pvt. Ltd.

78-80, Machhe Industrial Estate,
Machhe. Belgaum - 590 014. INDIA.

Phone : +91-(0)831-2411001

Fax : +91-(0)831-2411002

E-mail : polyhydron@gmail.com

Website : www.polyhydron.com



A Polyhydon Group Company

RADIAL PISTON PUMP 1R

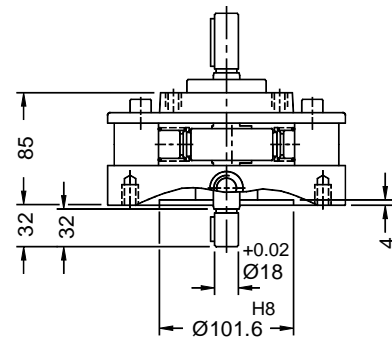
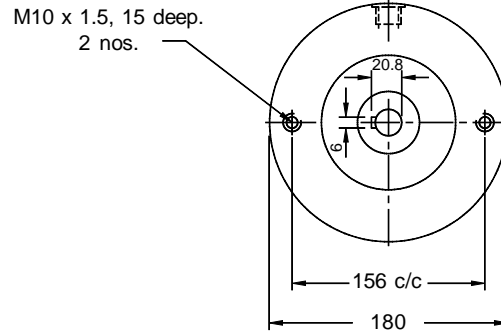
ENGINEERING

3

Ref. No. P04890

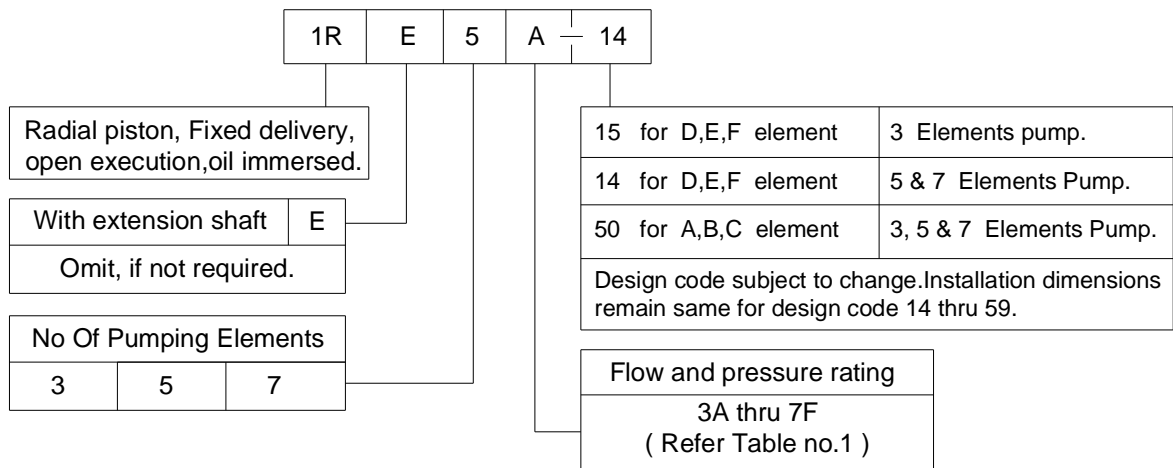
Accessories

Extension shaft (For through drive)
Dimensions



Note :
Torque limitation - The sum of torque used for the piston pump and torque used at extended shaft end should not exceed 75 Nm (11kW @ 1450 rpm)

Ordering code



For 3 Pumping Element Pump without Extension Shaft please Ref : P04931

Note : For Bell housing refer sheet no. P09035.
For Extension bracket sheet no. P09090.



A Polyhydron Group Company

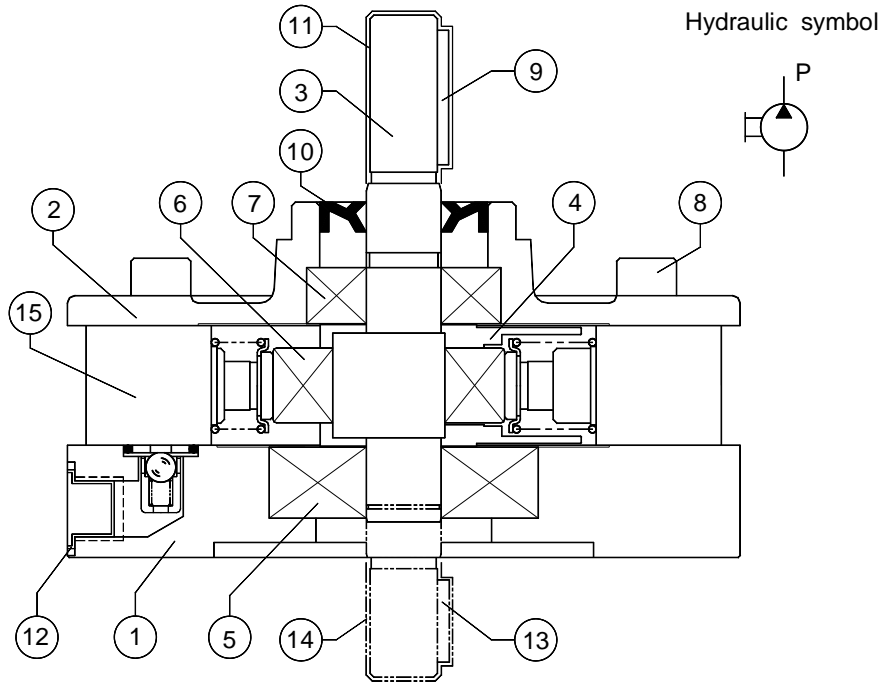
RADIAL PISTON PUMP 1R

SERVICE

4

Ref. No. P04890

Sectional view and Part list



Sl.No.	Description	1RE3			1R5 / 1R7	1RE5 / 1RE7	Size	Qty.
		Part No.	Size	Qty.	Part No.	Size		
1	Valve plate	11205		1	11208/11211			1
2	Cover plate	11225		1	11227/11229			1
3	Shaft	11243		1	11242	11243		1
4	Balancing Plate	11251		2	11252			2
5	Bottom Bearing	11261	6304	2	11264		6404	1
6	Centre Bearing.	11262	3206	1	11265		NUP 2206	1
7	Top Bearing.	--	--	--	11266		NJ 304ECP	1
8	Cap screw	11271	M10 x 55 L	6	11271		M10 x 55 L	10/14
9	Shaft Key	11293	6 x 6 x 36	1	11293		6 x 6 x 36	1
* 10	Rotary Shaft Seal	11277	Dou. Lip 47	1	11277		Dou. Lip 47	1
11	Plastic cap	11283	1R (Shaft)	1	11283		1R (Shaft)	1
12	Rubber Port Plug	00012	G 3/8 Plug Cap	1	00012		G 3/8 Plug Cap	1
13	Shaft Key	11294	6 x 6 x 22	1	--	11294	6 x 6 x 22	1
14	Plastic cap	11284	1RE (Shaft)	1	--	11284	1RE (Shaft)	1
Sl.No.	Description	Product		Qty.				
				1RE3	1R*5 / 7			
15	Pump element assly. (Refer Data Sheet No. D 11100)	1R-A-01 / 1R-B-01 / 1R-C-01 1R-D-01 / 1R-E-01 / 1R-F-01.		3	5 / 7			

Note : Specified part numbers are available as spares.

* Recommended seal kit.

All rights reserved.
Subject to revision.