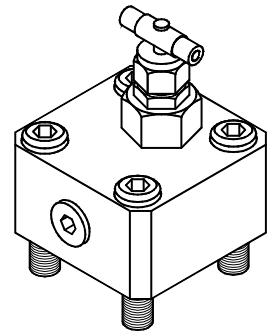


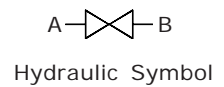
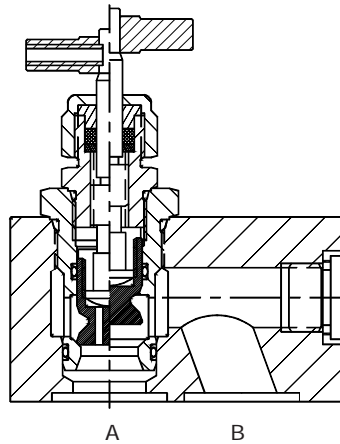
Description

Shut off valves model MHSLB25-2.0 are seat type valves with replaceable cartridge. Balanced sealed poppet construction to reduce operating forces.

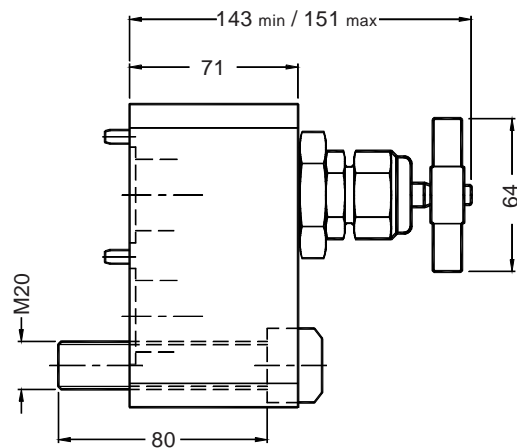
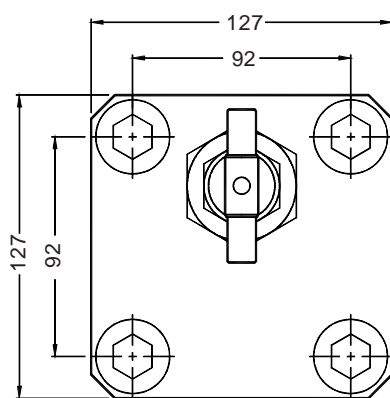
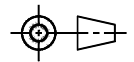
Sub - plate mounting construction (Factory standard Interface.)



Section



Unit Dimensions



Note : Valve fixing screws : M20 x 2.5 x 80 L, (10.9) 4 nos.
Tightening torque : 312 Nm

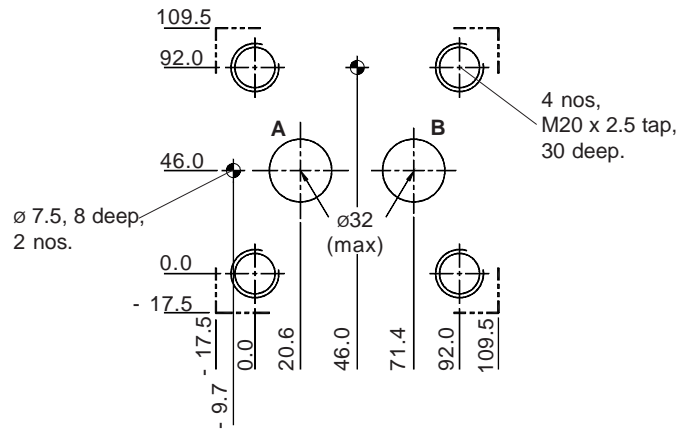
Shut off Valve (Screw-in Cartridge), Sub-plate mounting, Model : MHSLB25-2.0



the right connection

Ref. No : H03656, Release Oct 2006 (Dimensions in mm)

Interface - Factory standard

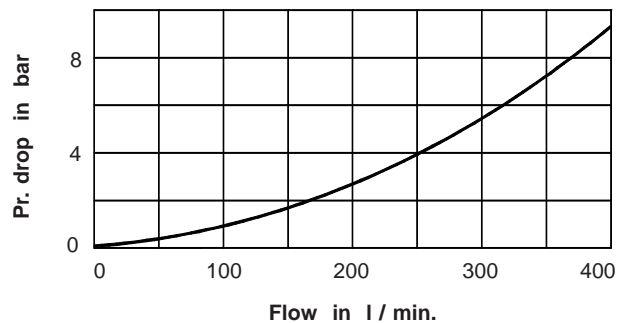


Mounting surface roughness - 0.8 μm
 Mounting surface flatness - 0.01 μm / 100mm

Technical Specifications

- Construction Seat type screw in cartridge
- Mounting type Sub-plate mounting type.
- Interface Factory standard.
- Mounting position Optional
- Flow direction From port `A` to port `B`.
- Operating pressure 350 bar.
- Hydraulic medium Mineral oil.
- Viscosity range 10 cSt to 380 cSt.
- Fluid temperature range -20 °C to +80 °C.
- Fluid cleanliness requirement As per ISO 19/16 or better.
- Maximum flow handling capacity Refer graph.

Oil used : ISO VG 68,
 Viscosity : 68 cSt @ 40 °C
 Test conducted at : 50 °C.



Ordering Code

