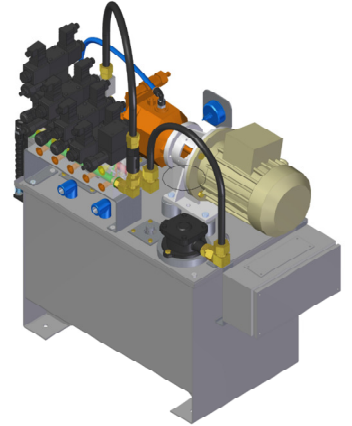




Yuken Standard Power Pack

YUKEN Standard Power Pack Has Been Specially Designed For Compactness , Low Cost , Quick Delivery & Installation . These Units Are Available With Options Of Fixed (Vane) Pump And Variable Displacement (Vane & Piston) Pumps. The Power Unit Design Is Flexible Enough To Build Most Of The Standard Circuits. Wide Options Of Accessories Available.



■ Features

Wide Range Of Options

Wide Options Of Accessories Which Includes Coolers, Oil Pan, Terminal Box, Manifold Block, And More.

High Efficiency

Use Of YUKEN Variable Displacement Pump Means High Efficiency, Low Noise, Low Heat Generation.

Easy To Build Circuits

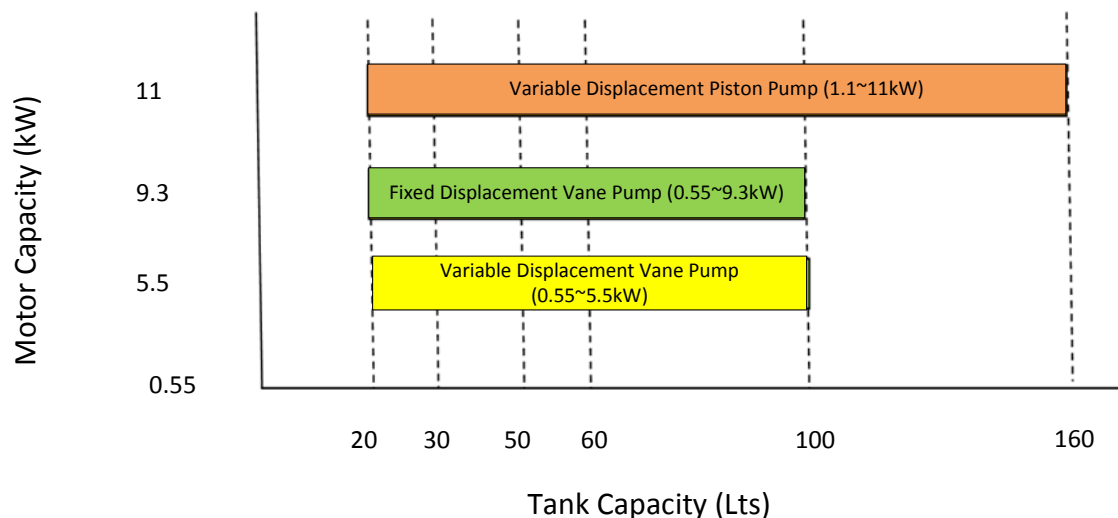
Most Of The Standard Circuits Could Be Configured Using YUKEN Modular Range Of Valves

Low Cost , Short Delivery Time

Standardization Of Components And Mass Production Method Adopted. This Means Lower Cost And Faster Delivery

Energy Saving

Option To Add Inverter Control For Energy Saving



■ APPLICATION

- Utility
- Automotive Plant
- Machine Tools
- Moulding
- Plant Equipment
- Material Handling
- Automation

■ Hydraulic Fluids

Use Petroleum Base Oil Such As Anti-wear Type Hydraulic Oil ISO VG-32 Or 46.
The Recommended Viscosity Range From 20 To 400mm²/s And Temperature
Range From 20 To 60°C.

For Other Type Of Oil Consult YUKEN

■ Control Of Contamination

Due Caution Must Be Paid To Maintaining Control Over Contamination Of The
Operating Oil Which Can Otherwise Lead To Breakdowns And Shorten The Life
Of Unit.

Please Maintain The Degree Of Contamination Within NASS Grade10.



Yuken Standard Power Pack

■ YIA Pack

STANDARD POWER PACK WITH VARIABLE DISPLACEMENT PISTON PUMP

YIA	16	-B	-6	-55	-2.2	-H	-10	
Series Number	Displacement cc/rev	Pressure Adj. Range kgf/cm ²	Reservoir Capacity Lts	Max. Operating Pressure kgf/cm ²	Motor Power kW	Additional Option	Design Number	
YIA: Standard Power Pack with 'A' Series Piston Pump	16: AR16 (15.8 cc/rev)	B: 12~ 70 C: 20~160	2:20	35	1.1: 1.1kWx 4P	A: Oil Pan B:Temperature Gauge C: Anti Vibration mount D: Float Switch E: MMC-01-1 manifold F:MMC-01-2 Manifold G;MMC-01-3 Manifold H:MMC-01-4 Manifold I:MMC-01-5 Manifold J:Terminal Box K:Magnetic Seperator L:MMC-03-T-1 Manifold M:MMC-03-T-2 Manifold N:MMC-03-T-3 Manifold O:MMC-03-T-4 Manifold P:MMC-03-T-5 Manifold NONE:No Option*	10	
			5:50		1.5: 1.5kWx 4P			
			3:30	55	1.5: 1.5kWx 4P			
			6:60		2.2: 2.2kWx 4P			
			5:50	70	3.7: 3.7kWx 4P			
			6:60		1.5: 1.5kWx 4P			
			6:60	2.2: 2.2kWx 4P				
			6:60	3.7: 3.7kWx 4P				
	10:100	160	3.7: 3.7kWx 4P					
	6:60		5.5: 5.5kWx 4P					
	22:AR22 (22.2 cc/rev)	B: 12~ 70 C: 20~160	10:100	6:60	35			2.2: 2.2kWx 4P
				10:100	55			3.7: 3.7kWx 4P
					70			3.7: 3.7kWx 4P
					160			5.5: 5.5kWx 4P
	37:A37 (36.9 cc/rev)	B: 12~ 70 C: 12~160	15:150	35	3.7: 3.7kWx 4P			
					5.5: 5.5kWx 4P			
				70	5.5: 5.5kWx 4P			
					7.5: 7.5kWx 4P			
				105	9.3: 9.3kWx 4P			
					11: 11kWx 4P			

NOTE:

1. For maximum flow adjustment and model code refer next page.
2. For options refer page 9.
3. * with standard "P" and "T" Bluckhead connection



Yuken Standard Power Pack

■ YIA Pack- Model Code Selection

Flow Rate L/min	Max. Operating Pressure kgf/cm ²	Operating Pressure Range kgf/cm ²	Variable Piston Pump		Tank Capacity Lts	Motor Selection kW	Model Code
			Displacement cc/rev	Pump Model			
10	35	12 to 35	15.8	AR16-FR01-B	20	1.1	YIA-16-B-2-35-1.1-***-10
	55	12 to 55	15.8	AR16-FR01-B	30	1.5	YIA-16-B-3-55-1.5-***-10
	70	12 to 70	15.8	AR16-FR01-B	50	1.5	YIA-16-B-5-70-1.5-***-10
	160	20 to 160	15.8	AR16-FR01-C	60	3.7	YIA-16-C-6-160-3.7-***-10
15	35	12 to 35	15.8	AR16-FR01-B	50	1.5	YIA-16-B-5-35-1.5-***-10
	55	12 to 55	15.8	AR16-FR01-B	60	2.2	YIA-16-B-6-55-2.2-***-10
	70	12 to 70	15.8	AR16-FR01-B	60	2.2	YIA-16-B-6-70-2.2-***-10
	160	20 to 160	15.8	AR16-FR01-C	60	5.5	YIA-16-C-6-160-5.5-***-10
20	35	12 to 35	15.8	AR16-FR01-B	50	1.5	YIA-16-B-5-35-1.5-***-10
	55	12 to 55	15.8	AR16-FR01-B	60	3.7	YIA-16-B-6-55-3.7-***-10
	70	12 to 70	15.8	AR16-FR01-B	60	3.7	YIA-16-B-6-70-3.7-***-10
	160	20 to 160	15.8	AR16-FR01-C	100	7.5	YIA-16-C-10-160-7.5-***-10
25	35	12 to 35	22.2	AR22-FR01-B	60	2.2	YIA-22-B-6-35-2.2-***-10
	55	12 to 55	22.2	AR22-FR01-B	100	3.7	YIA-22-B-10-55-3.7-***-10
	70	12 to 70	22.2	AR22-FR01-B	100	3.7	YIA-22-B-10-70-3.7-***-10
	160	20 to 160	22.2	AR22-FR01-C	100	9.3	YIA-22-C-10-160-9.3-***-10
30	35	12 to 35	22.2	AR22-FR01-B	60	2.2	YIA-22-B-6-35-2.2-***-10
	55	12 to 55	22.2	AR22-FR01-B	100	3.7	YIA-22-B-10-55-3.7-***-10
	70	12 to 70	22.2	AR22-FR01-B	100	5.5	YIA-22-B-10-70-5.5-***-10
	160	20 to 160	22.2	AR22-FR01-C	100	11	YIA-22-C-10-160-11-***-10
35	35	12 to 35	36.9	A37-FR01-B	150	3.7	YIA-37-B-15-35-3.7-***-10
	70	12 to 70	36.9	A37-FR01-B	150	5.5	YIA-37-B-15-70-5.5-***-10
	105	12 to 105	36.9	A37-FR01-C	150	9.3	YIA-37-C-15-105-9.3-***-10
40	35	12 to 35	36.9	A37-FR01-B	150	3.7	YIA-37-B-15-35-3.7-***-10
	70	12 to 70	36.9	A37-FR01-B	150	7.5	YIA-37-B-15-70-7.5-***-10
	105	12 to 105	36.9	A37-FR01-C	150	9.3	YIA-37-C-15-105-9.3-***-10
50	35	12 to 35	36.9	A37-FR01-B	150	5.5	YIA-37-B-15-35-5.5-***-10
	70	12 to 70	36.9	A37-FR01-B	150	7.5	YIA-37-B-15-70-7.5-***-10
	105	12 to 105	36.9	A37-FR01-C	150	11	YIA-37-C-15-105-11-***-10



Yuken Standard Power Pack

■ YIV PACK

STANDARD POWER PACK WITH VARIABLE DISPLACEMENT VANE PUMP

YIV	12	-D	-5	-70	-1.5	-H	-10
Series Number	Variable Vane Pump	Pressure Adj. Range kgf/cm ²	Reservoir Capacity Lts	Max. Operating Pressure kgf/cm ²	Motor Power kW	Additional Option	Design Number
YIV : Standard Power Pack with Variable displacement Vane Pump	12: SVPF12 (6.7 cc/rev)	B: 10~35 C: 15~55 D: 10~70	2:20	35	0.55: 0.55 kWx 4P 1.1: 1.1 kWx 4P	A: Oil Pan B: Temperature Gauge C: Anti Vibration mount D: Float Switch E: MMC-01-1 manifold F: MMC-01-2 Manifold G: MMC-01-3 Manifold H: MMC-01-4 Manifold I: MMC-01-5 Manifold J: Terminal Box K: Magnetic Separator L: MMC-03-T-1 Manifold M: MMC-03-T-2 Manifold N: MMC-03-T-3 Manifold O: MMC-03-T-4 Manifold P: MMC-03-T-5 Manifold NONE: No Option*	10
			3:30	55	0.75: 0.75 kWx 4P 1.5: 1.5 kWx 4P		
			3:30	70	1.1: 1.1 kWx 4P		
			5:50		1.5: 1.5 kWx 4P		
	20: RV20 (11.3 cc/rev)	C: ~50 D: ~70	5:50	35	1.5: 1.5 kWx 4P		
			6:60	55 70	2.2: 2.2 kWx 4P		
	30: SVPF30 (16.7 cc/rev)	B: 10~35 C: 10~55 D: 10~70	5:50	35	1.5: 1.5 kWx 4P		
			6:60		2.2: 2.2 kWx 4P		
			6:60	55	3.7: 3.7 kWx 4P		
			10:100		3.7: 3.7 kWx 4P		
			6:60	70	3.7: 3.7 kWx 4P		
			10:100		7.5: 7.5 kWx 4P 9.3: 9.3 kWx 4P		
	40: SVPF40 (22.2 cc/rev)	B: 10~35 C: 10~55 D: 10~70	6:60	35	2.2: 2.2 kWx 4P		
			10:100	55	3.7: 3.7 kWx 4P		
				70	5.5: 5.5 kWx 4P		

NOTE:

1. For maximum flow adjustment and model code refer next page.
2. For options refer page 9.
3. * with standard "P" and "T" Bluckhead connection



Yuken Standard Power Pack

■ YIV Pack- Model Code Selection

Flow Rate L/min	Max. Operating Pressure kgf/cm ²	Operating Pressure Range kgf/cm ²	Variable Vane Pump		Tank Capacity Lts	Motor Power kW	Model Code
			Displacement cc/rev	Pump Model			
5	35	10 to 35	6.7	SVPF-12-70-10	20	0.55	YIV-12-B-2-35-0.55-***-10
	55	10 to 55	6.7	SVPF-12-70-10	30	0.75	YIV-12-C-3-55-0.75-***-10
	70	10 to 70	6.7	SVPF-12-70-10	30	1.1	YIV-12-D-3-70-1.1-***-10
10	35	10 to 35	6.7	SVPF-12-70-10	20	1.1	YIV-12-B-2-35-1.1-***-10
	55	10 to 55	6.7	SVPF-12-70-10	30	1.5	YIV-12-C-3-55-1.5-***-10
	70	10 to 70	6.7	SVPF-12-70-10	50	1.5	YIV-12-D-5-70-1.5-***-10
15	35	10 to 35	11.3	RV-20-SF-17-C	50	1.5	YIV-20-C-5-35-1.5-***-10
	55	10 to 55	11.3	RV-20-SF-17-D	60	2.2	YIV-20-D-6-55-2.2-***-10
	70	10 to 70	11.3	RV-20-SF-17-D	60	2.2	YIV-20-D-6-70-2.2-***-10
20	35	10 to 35	16.7	SVPF-30-70-10	50	1.5	YIV-30-B-5-35-1.5-***-10
	55	10 to 55	16.7	SVPF-30-70-10	60	3.7	YIV-30-C-6-55-3.7-***-10
	70	10 to 70	16.7	SVPF-30-70-10	60	3.7	YIV-30-D-6-70-3.7-***-10
25	35	10 to 35	16.7	SVPF-30-70-10	60	2.2	YIV-30-B-6-35-2.2-***-10
	55	10 to 55	16.7	SVPF-30-70-10	100	3.7	YIV-30-C-10-55-3.7-***-10
	70	10 to 70	16.7	SVPF-30-70-10	100	3.7	YIV-30-D-10-70-3.7-***-10
30	35	10 to 35	22.2	SVPF-40-70-10	60	2.2	YIV-40-B-6-35-2.2-***-10
	55	10 to 55	22.2	SVPF-40-70-10	100	3.7	YIV-40-C-10-55-3.7-***-10
	70	10 to 70	22.2	SVPF-40-70-10	100	5.5	YIV-40-D-10-70-5.5-***-10



Yuken Standard Power Pack

■ YIP PACK

STANDARD POWER PACK WITH FIXED DISPLACEMENT VANE PUMP

YIP	10	-C	-6	-55	-2.2	-H	-10		
Series Number	Displacement cc/rev	Pressure Adj. Range kgf/cm ²	Reservoir Capacity Lts	Max. Operating Pressure kgf/cm ²	Motor Power kW	Additional Option	Design Number		
YIP : Stanadrd Power Pack with 'PVR' Series Fixed Vane Pump	4: PVR1T-4 (4 cc/rev)	C: 8~70 H:70~210	20:20	35	0.55: 0.55kWx 4P	A: Oil Pan B:Temperature Gauge C: Anti Vibration mount D: Float Switch E: MMC-01-1 manifold F:MMC-01-2 Manifold G;MMC-01-3 Manifold H:MMC-01-4 Manifold I:MMC-01-5 Manifold J:Terminal Box K:Magnetic Seperator L:MMC-03-T-1 Manifold M:MMC-03-T-2 Manifold N:MMC-03-T-3 Manifold O:MMC-03-T-4 Manifold P:MMC-03-T-5 Manifold NONE:No Option*	10		
			30: 30	55	0.75: 0.75kWx 4P				
				8: PVR1T-8 (7.8 cc/rev)	C: 8~70 H:70~210			2:20	35
	3:30	55	1.5: 1.5kWx 4P						
	5:50	70	2.2: 2.2kWx 4P						
	6:60	160	5.5: 5.5kWx 4P						
	10: PVR1T-10 (9.5 cc/rev)	C: 8~70 H:70~210	5:50					35	1.5: 1.5 kWx 4P
			6:60					55	2.2: 2.2 kWx 4P
				70	5.5: 5.5 kWx 4P				
	15: PVR1T-15 (14.6 cc/rev)	C: 8~70 H:70~210	5:50	35	2.2: 2.2 kWx 4P				
			6:60	55	3.7: 3.7 kWx 4P				
				70	7.5: 7.5 kWx 4P				
			10:100	160	7.5: 7.5 kWx 4P				
			17: PVR1T-17 (16 cc/rev)	C: 8~70 H:70~210	6:60			35	2.2: 2.2 kWx 4P
					10:100			55	3.7: 3.7 kWx 4P
	70	9.3: 9.3 kWx 4P							
				160	9.3: 9.3 kWx 4P				

NOTE:

1. For maximum flow adjustment and model code refer next page.
2. For options refer page 9.
3. * with standard "P" and "T" Bluckhead connection



Yuken Standard Power Pack

■ YIP Pack- Model Code Selection

Flow Rate L/min	Max. Operating Pressure kgf/cm ²	Operating Pressure Range kgf/cm ²	Fixed Vane Pump		Tank Capacity Lts	Motor Selection kW	Model Code
			Displacement cc/rev	Pump Model			
5	35	8 to 35	4	PVR1T-4	20	0.55	YIP-4-C-2-35-0.55-***-10
	55	8 to 55	4	PVR1T-4	30	0.75	YIP-4-C-3-55-0.75-***-10
	70	8 to 70	4	PVR1T-4	30	1.1	YIP-4-C-3-70-1.1-***-10
10	35	8 to 35	7.8	PVR1T-8	20	1.1	YIP-8-C-2-35-1.1-***-10
	55	8 to 55	7.8	PVR1T-8	30	1.5	YIP-8-C-3-55-1.5-***-10
	70	8 to 70	7.8	PVR1T-8	50	2.2	YIP-8-C-5-70-2.2-***-10
	160	70 to 160	7.8	PVR1T-8	60	5.5	YIP-8-H-6-160-5.5-***-10
15	35	8 to 35	9.5	PVR1T-10	50	1.5	YIP-10-C-5-35-1.5-***-10
	55	8 to 55	9.5	PVR1T-10	60	2.2	YIP-10-C-6-55-2.2-***-10
	70	8 to 70	9.5	PVR1T-10	60	2.2	YIP-10-C-6-70-2.2-***-10
	160	70 to 160	9.5	PVR1T-10	60	5.5	YIP-10-H-6-160-5.5-***-10
20	35	8 to 35	14.6	PVR1T-15	50	2.2	YIP-15-C-5-35-2.2-***-10
	55	8 to 55	14.6	PVR1T-15	60	3.7	YIP-15-C-6-55-3.7-***-10
	70	8 to 70	14.6	PVR1T-15	60	3.7	YIP-15-C-6-70-3.7-***-10
	160	70 to 160	14.6	PVR1T-15	100	7.5	YIP-15-H-10-160-7.5-***-10
25	35	8 to 35	16	PVR1T-17	60	2.2	YIP-17-C-6-35-2.2-***-10
	55	8 to 55	16	PVR1T-17	100	3.7	YIP-17-C-10-55-3.7-***-10
	70	8 to 70	16	PVR1T-17	100	3.7	YIP-17-C-10-70-3.7-***-10
	160	70 to 160	16	PVR1T-17	100	9.3	YIP-17-H-10-160-9.3-***-10

■ OPTIONS

Symbol	Description	Tank Capacity					
		20	30	50	60	100	150
A	Oil Pan	O	O	O	O	O	O
B	Temperature Gauge	O	O	O	O	O	O
C	Anti vibration mount *1	O	O	O	O	O	O
D	Float Switch	X	X	X	X	O	O
E	Size 01 -1Manifold *2	O	O	O	O	O	X
F	Size 01-2 Manifold *2	O	O	O	O	O	X
G	Size 01-3 Manifold *2	O	O	O	O	O	X
H	Size 01-4 Manifold *2	O	O	O	O	O	X
I	Size 01-5 Manifold *2	O	O	O	O	O	X
J	Terminal box	O	O	O	O	O	O
K	Magnetic seperator	X	X	O	X	O	O
L	MMC-03 -T-1 Manifold	X	X	X	X	X	O
M	MMC-03-T-2 Manifold	X	X	X	X	X	O
N	MMC-03-T-3 Manifold	X	X	X	X	X	O
O	MMC-03-T-4 Manifold	X	X	X	X	X	O
P	MMC-03-T-5 Manifold	X	X	X	X	X	O

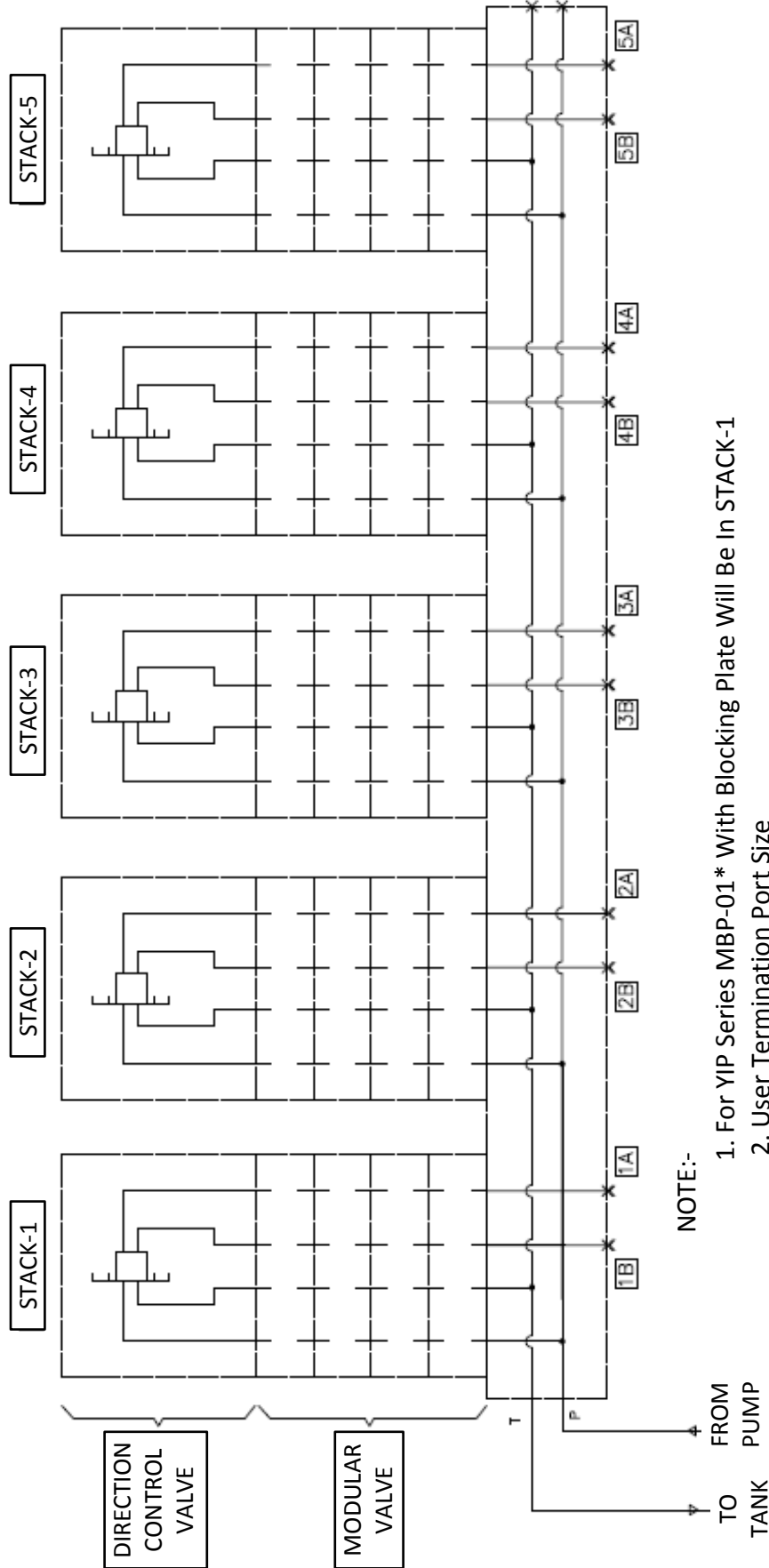
*1 - anti vibration mount applicable for Motors upto 5.5 kW

2 - for YIP series MBP-0 with blocking plate will be default in First stack



Yuken Standard Power Pack

■ VALVE SELECTION ,CIRCUIT BUILDING



NOTE:-

1. For YIP Series MBP-01* With Blocking Plate Will Be In STACK-1
2. User Termination Port Size
 MMC-01-**-**-----G3/8
 MMC-03-**-**-----G1/2

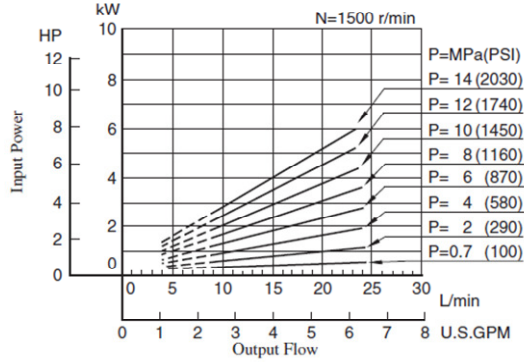


Yuken Standard Power Pack

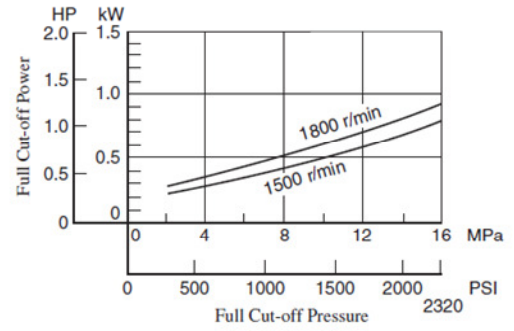
PERFORMANCE CHARACTERISTIC CURVE

AR16

Input Power

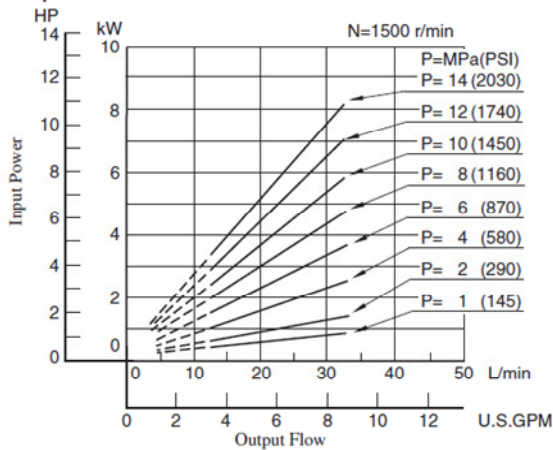


Full Cut-off Power

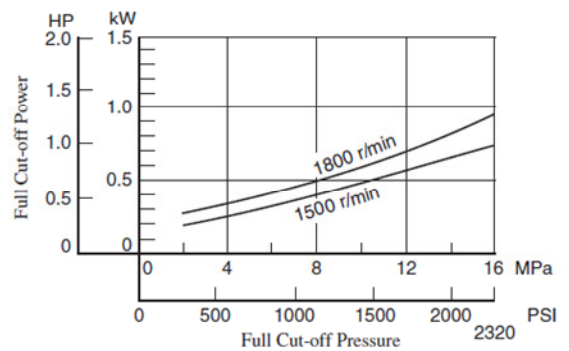


AR22

Input Power



Full Cut-off Power

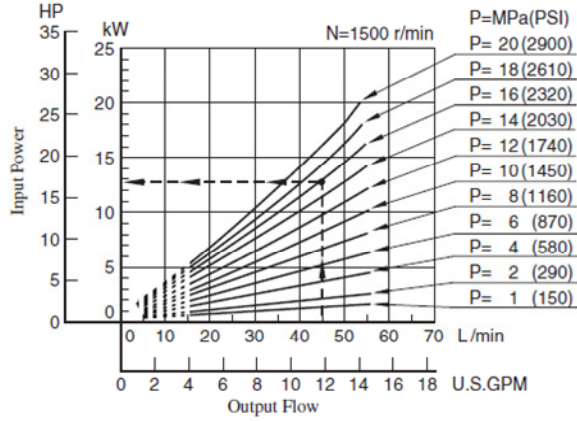




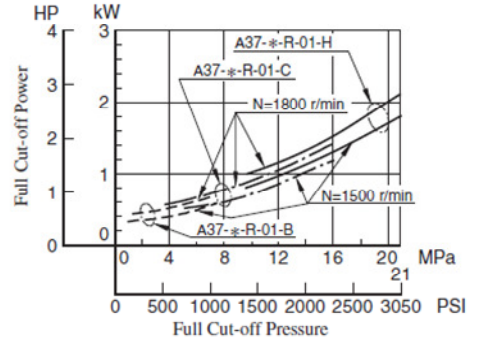
Yuken Standard Power Pack

A37

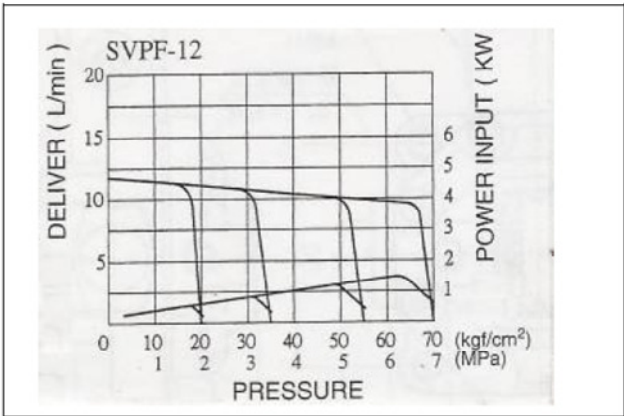
Input Power



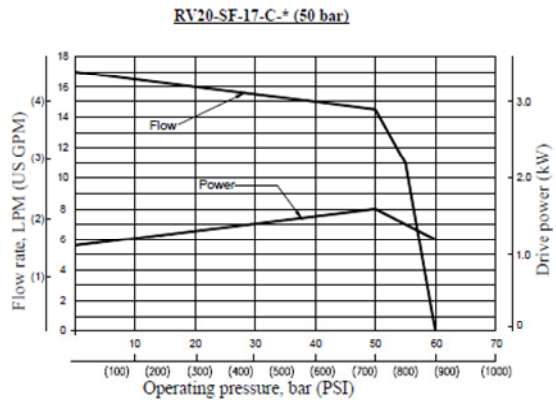
Full Cut-off Power



SVPF12

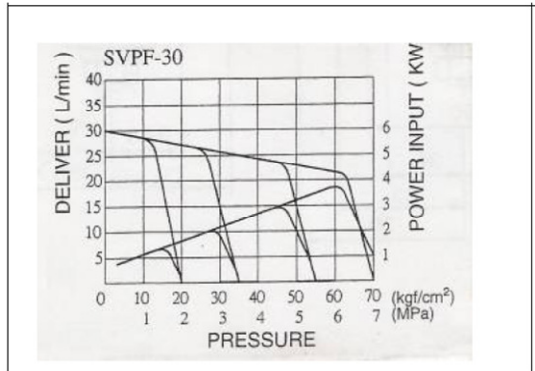
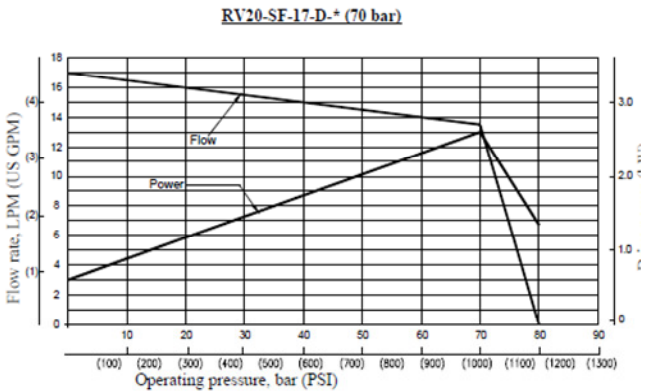


RV20



RV20

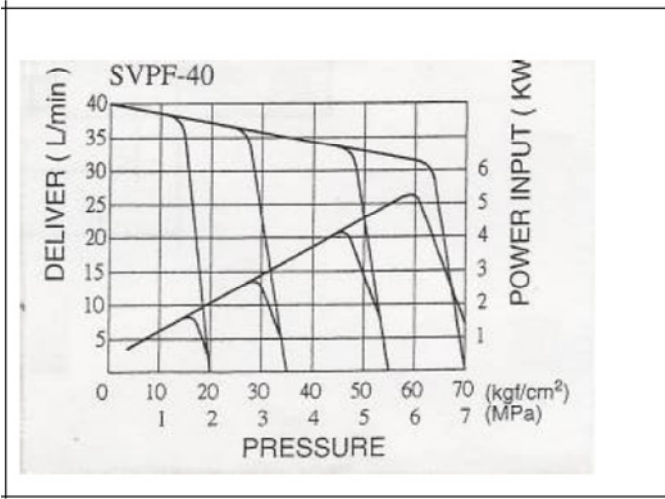
SVPF 30



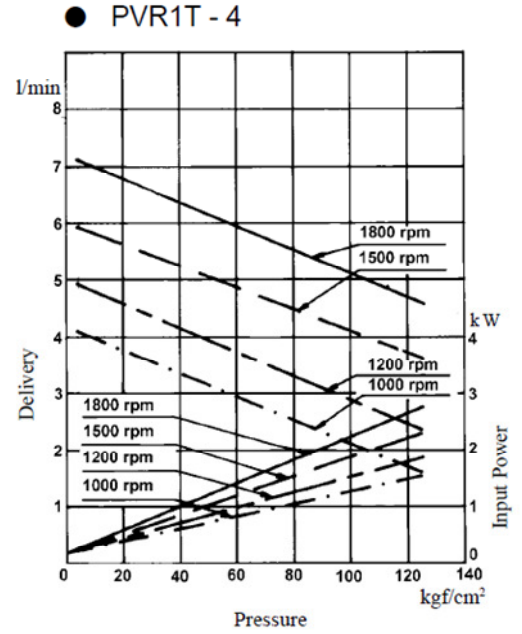


Yuken Standard Power Pack

SVPF 40

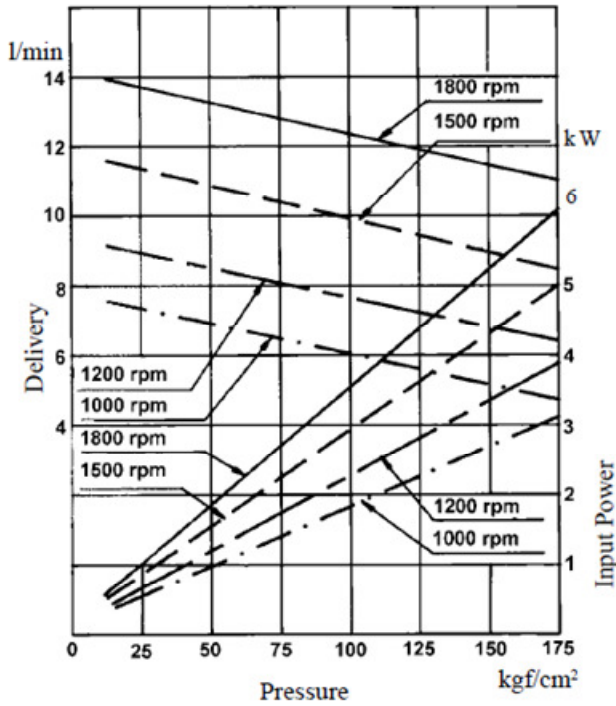


PVR1T-4



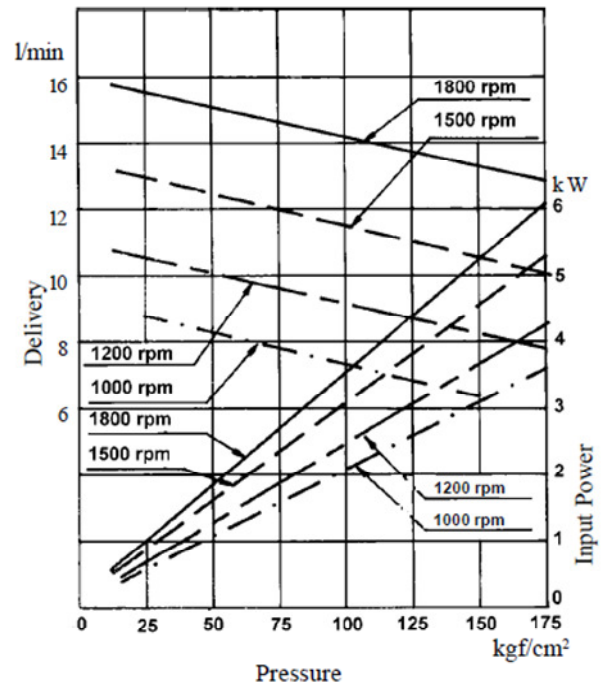
PVR1T-8

● PVR1T - 8



PVR1T-10

● PVR1T - 10

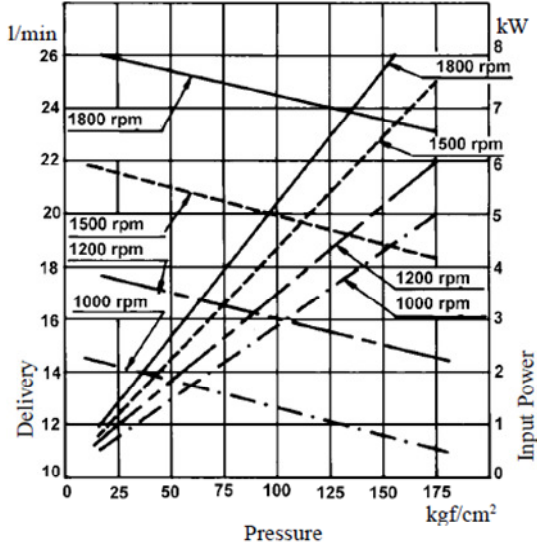




Yuken Standard Power Pack

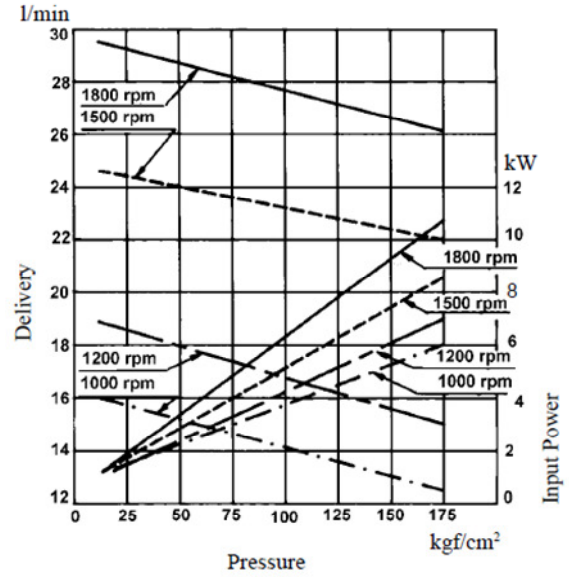
PVR1T-15

● PVR1T - 15



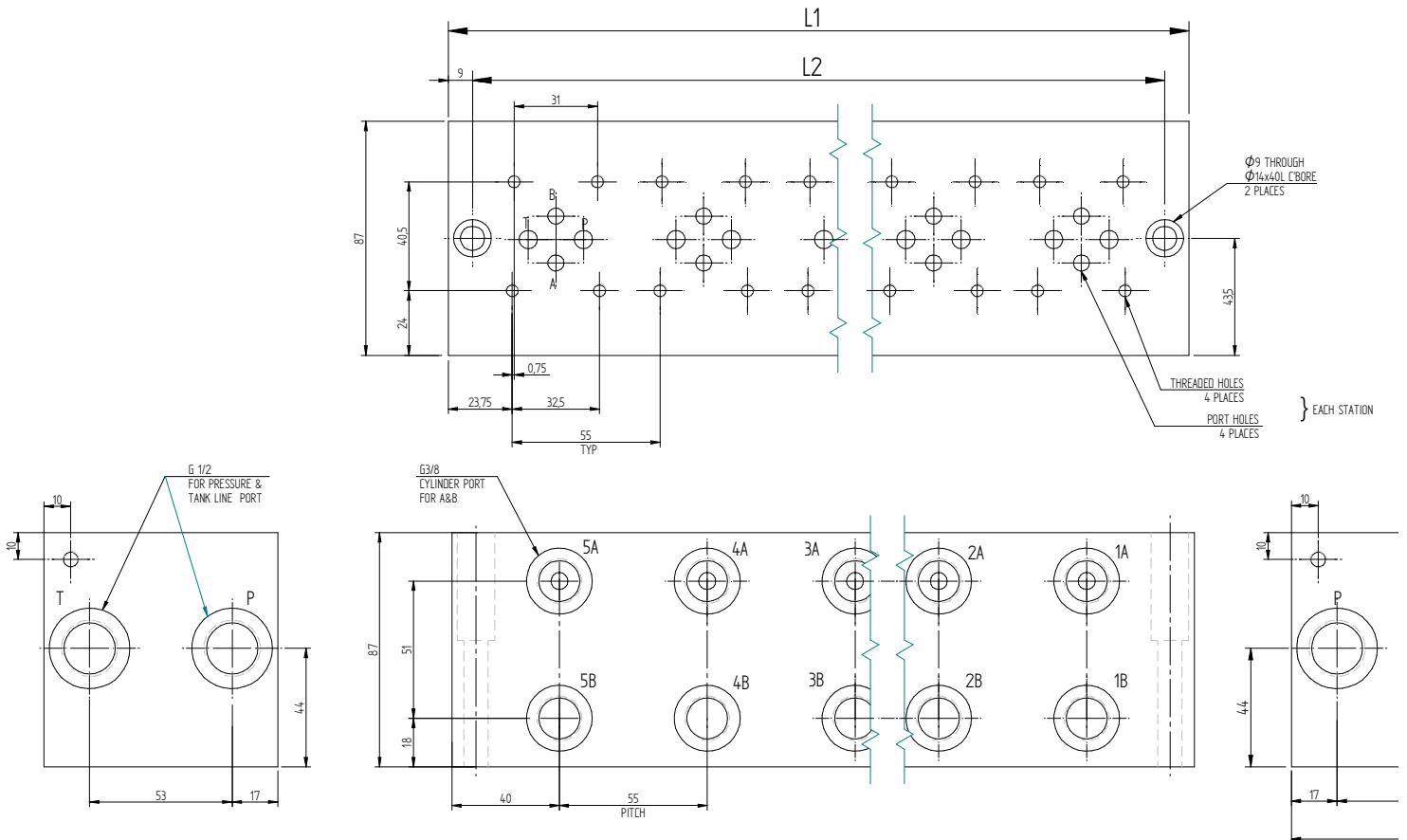
PVR1T-17

● PVR1T - 17



Manifold Dimensions

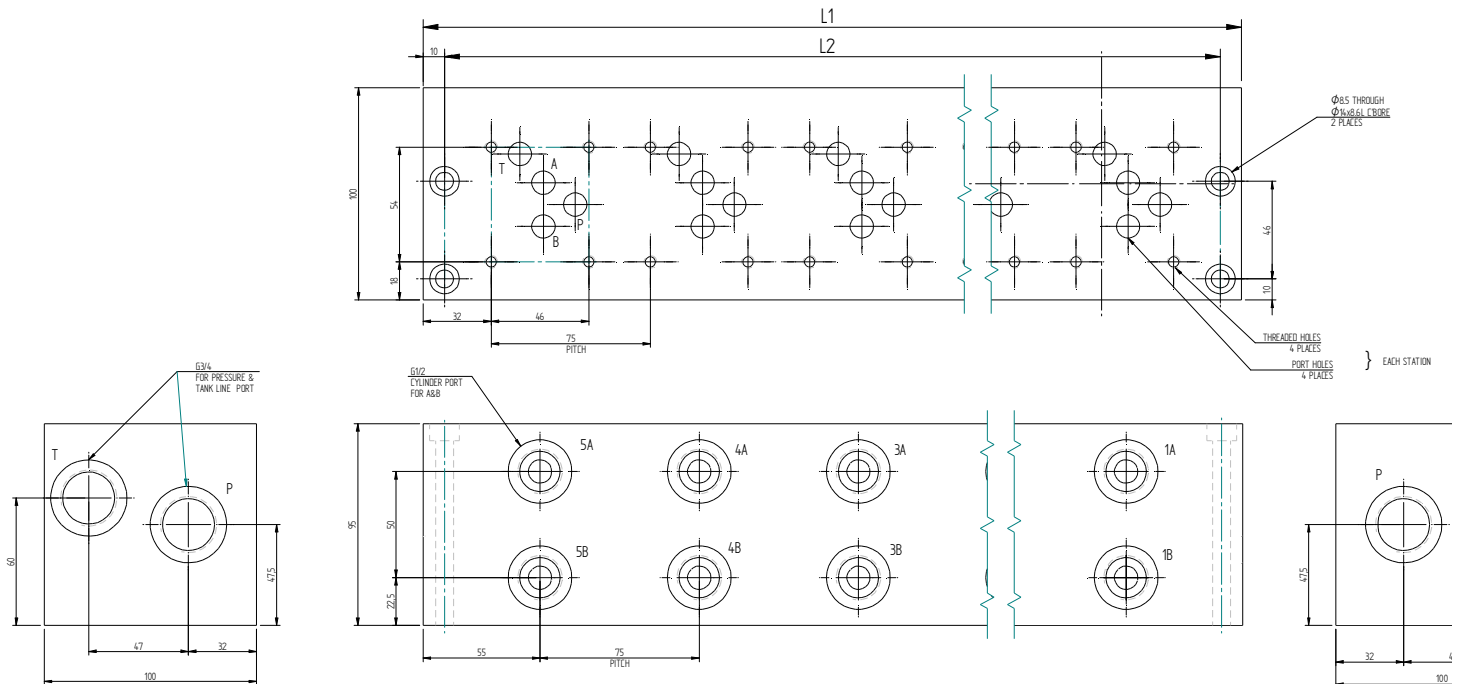
MMC-01-**



MMC-01-*			
SL.NO	MODEL NO'S	L1 (mm)	L2 (mm)
01	MMC-01-1	80	62
02	MMC-01-2	135	117
03	MMC-01-3	190	172
04	MMC-01-4	245	227
05	MMC-01-5	300	282

Manifold Dimensions

MMC-03-**

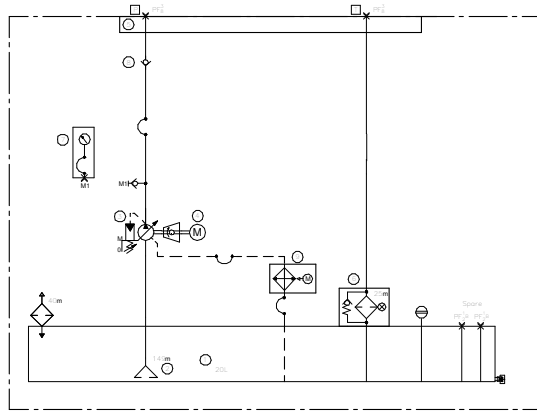
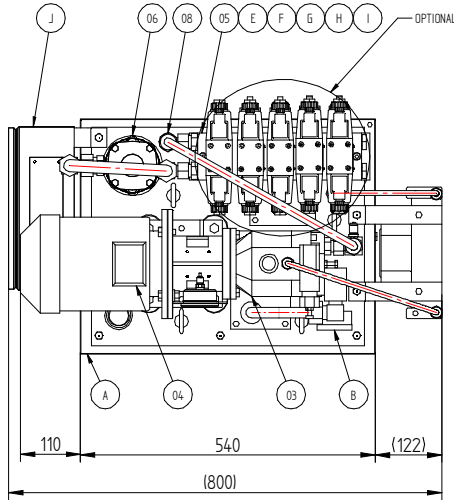


MMC-03-*			
SL.NO	MODEL NO'S	L1 (mm)	L2 (mm)
01	MMC-03-1	110	90
02	MMC-03-2	185	165
03	MMC-03-3	260	240
04	MMC-03-4	335	315
05	MMC-03-5	410	390

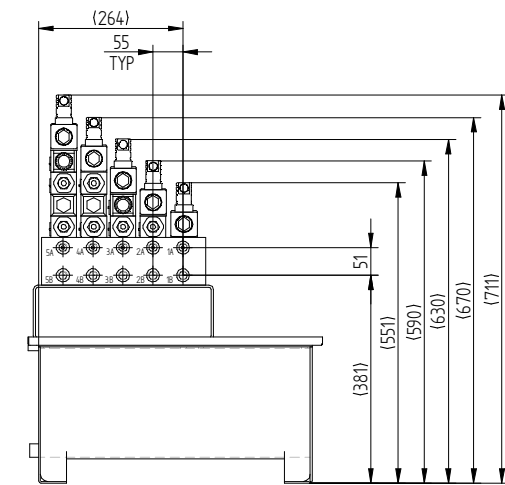
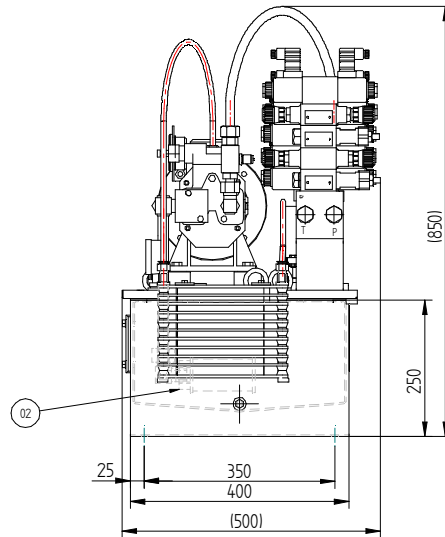
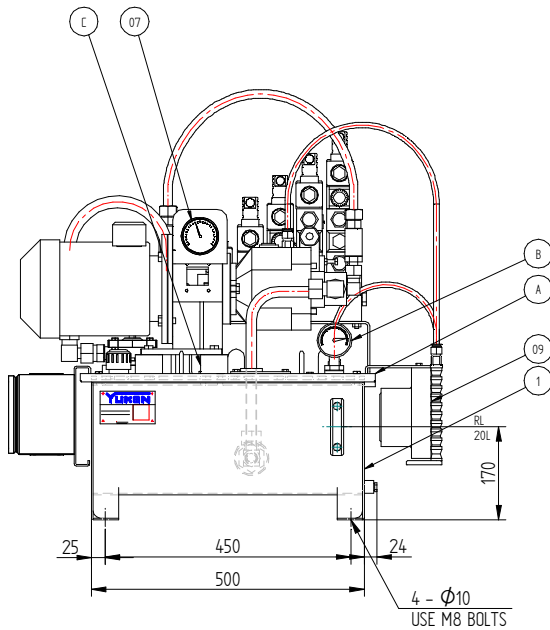


Yuken Standard Power Pack

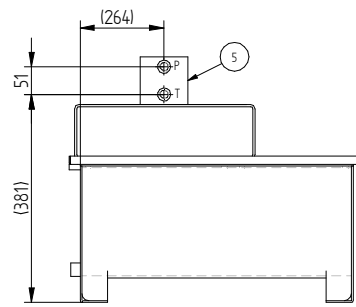
■ YIA Pack Overall Dimension: YIA-**-*-2-***-**-10



STD UNIT					
SL.NO	TYPE	DESCRIPTION	MODEL CODE	MAKE	QTY
1	S	MILD STEEL TANK-20LITERS	YU-10001	Yuken	1
2	B	SUCTION STRAINER	YSS-10G	YIL	1
3	I	VARIABLE DISPLACEMENT PISTON PUMP	AR16-FR01-B	Yuken Japan	1
4	B	ELECTRICAL MOTOR	1.1kW x 4P 3Φ 415V 50Hz B5 EFF2	Hindustan Motors	1
5	S	BULK HEAD BAR	YU-10045	Yuken	1
6	B	RETURN LINE FILTER WITH CLOG INDICATOR	YTFR-04-SL-2SM-V1	YIL	1
7	B	PRESSURE GAUGE	YPG-63-G-70-FB-10	YIL	1
8	E	CHECK VALVE	CIT-03-5-2080	Yuken	1
9	B	AIR BLAST OIL COOLER	AMC-217-15	Yuken	1



User Termination Ports With MMC Manifold

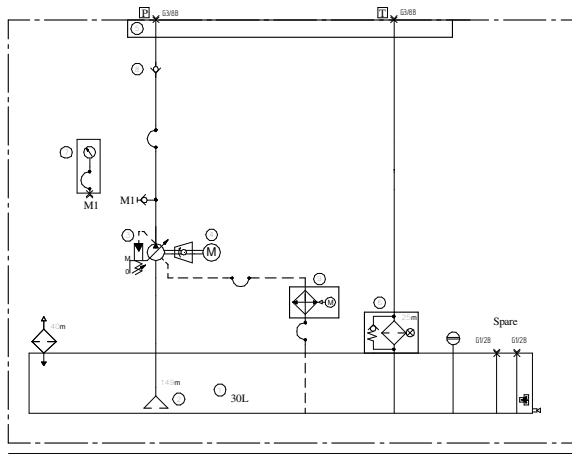
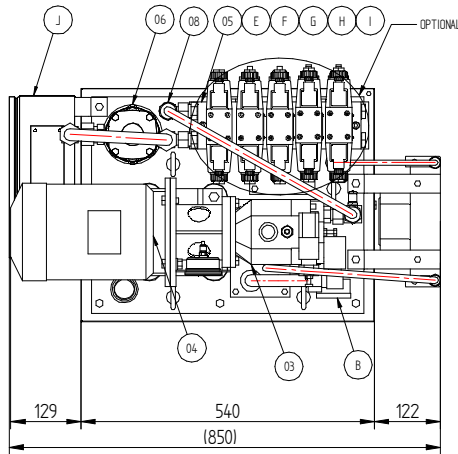


User Termination Ports Without MMC Manifold

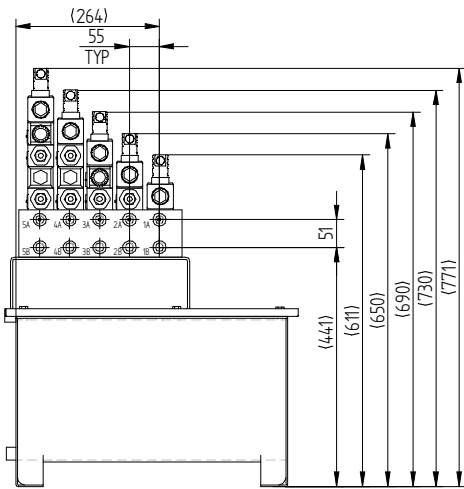
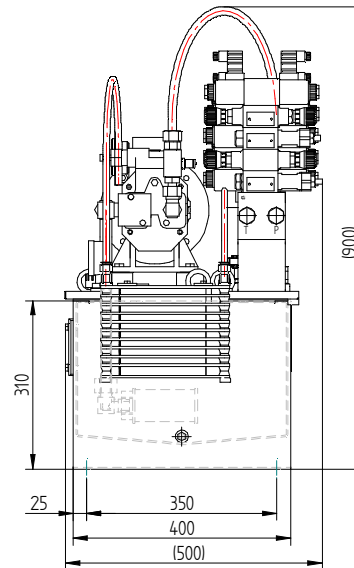
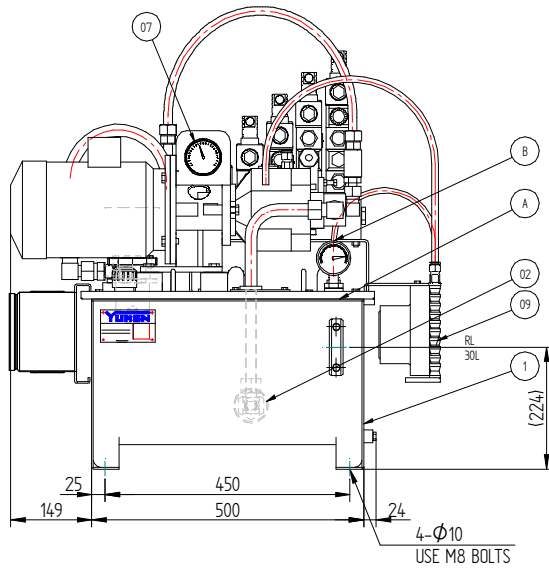


Yuken Standard Power Pack

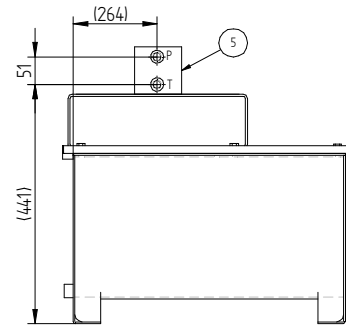
■ YIA Pack Overall Dimension: YIA-**-*-3-***-**-10



SL_NO	TYPE	DESCRIPTION	MODEL CODE	MAKE	QTY
1	S	MILD STEEL TANK-30LITERS	YU-10018	Yuken	1
2	B	SUCTION STRAINER	YSS-10G	YIL	1
3	I	VARIABLE DISPLACEMENT PISTON PUMP	AR16-FR01-B	Yuken Japan	1
4	B	ELECTRICAL MOTOR	1.5kW x 4P 3φ 415V 50Hz B5 EFF2	Hindustan Motors	1
5	S	BULK HEAD BAR	YU-10045	Yuken	1
6	B	RETURN LINE FILTER WITH CLOG INDICATOR	YTFR-04-50L-25M-VI	Yuken	1
7	B	PRESSURE GAUGE	YPG-63-G-70-FB-10	YIL	1
8	E	CHECK VALVE	CIT-03-5-2080	Yuken	1
9	B	AIR BLAST OIL COOLER	AMC-217-15	Yuken	1



User Termination Ports With MMC Manifold

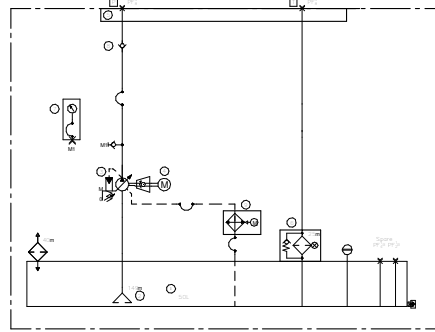
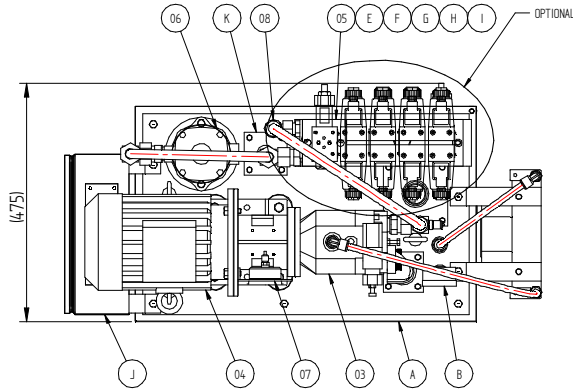


User Termination Ports Without MMC Manifold

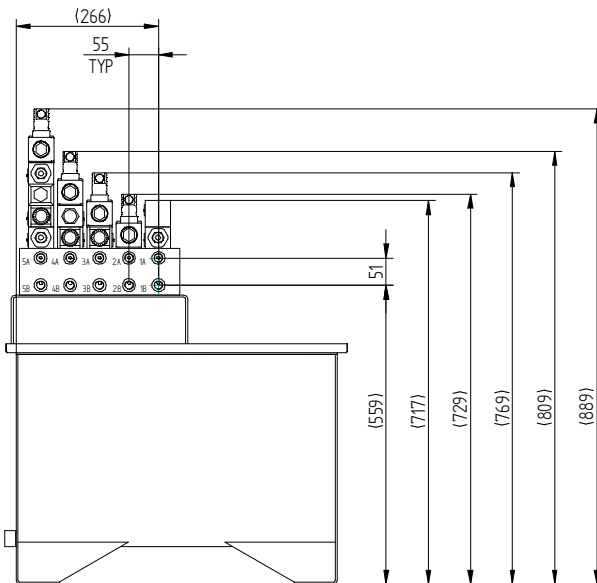
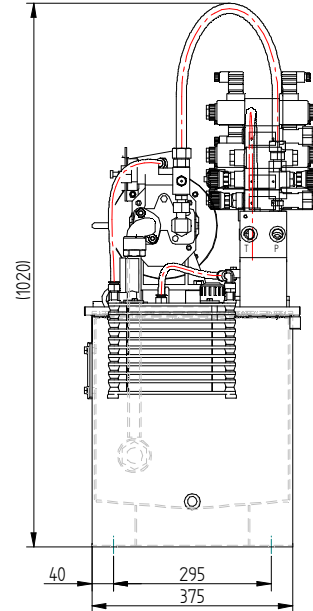
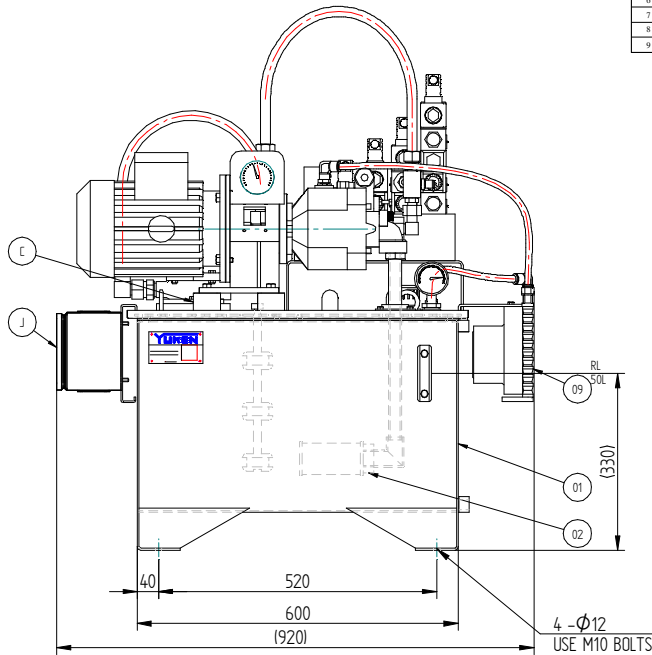


Yuken Standard Power Pack

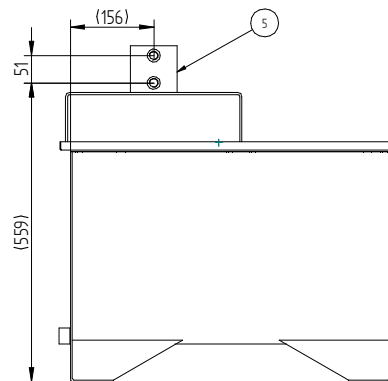
■ YIA Pack Overall Dimension: YIA-**-*-5-***-**-10



STD UNIT					
SL.NO	TYPE	DESCRIPTION	MODEL CODE	MAKE	QTY
1	S	MILD STEEL TANK - 50 LITRES	YU-10019	Yuken	1
2	B	SUCTION STRAINER	YSS-15G	YIL	1
3	I	VARIABLE DISPLACEMENT PISTON PUMP	AR16-FR01-B	Yuken Japan	1
4	B	ELECTRICAL MOTOR	1.5kW 4P 30-415V 50Hz B5 EFF2	Hidimain Motors	1
5	S	BULK HEAD BAR	YU-10045	Yuken	1
6	B	TANK TOP RETURN LINE FILTER	YTFR-06-115L-25M-V1	YIL	1
7	B	PRESSURE GAUGE	YPG-63-G-100-FB-10	YIL	1
8	E	CHECK VALVE	CTV-03-S-2080	Yuken	1
9	B	AIR BLAST OIL COOLER	AMC-217-15	YUKEN	1



User Termination Ports With MMC Manifold

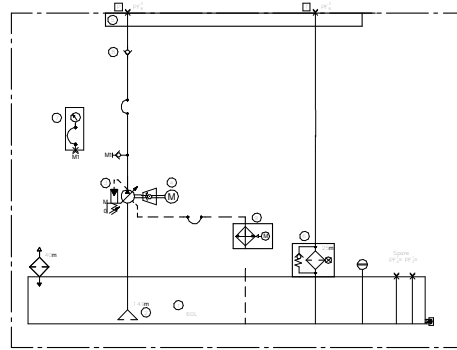
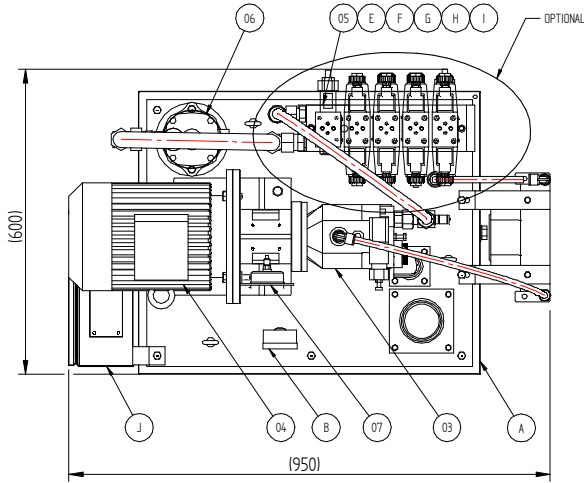


User Termination Ports Without MMC Manifold

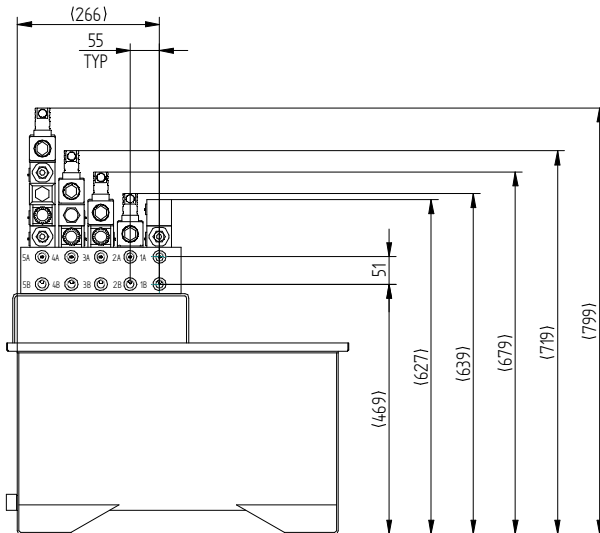
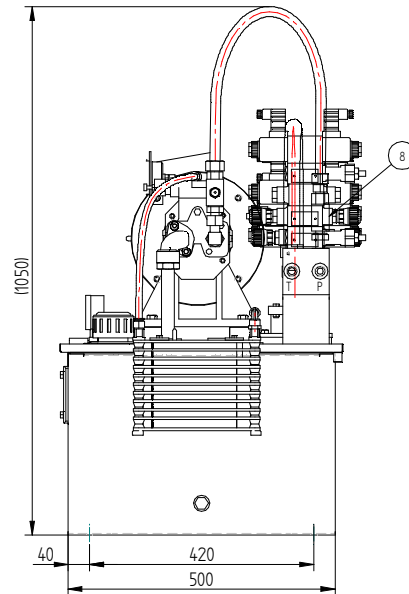
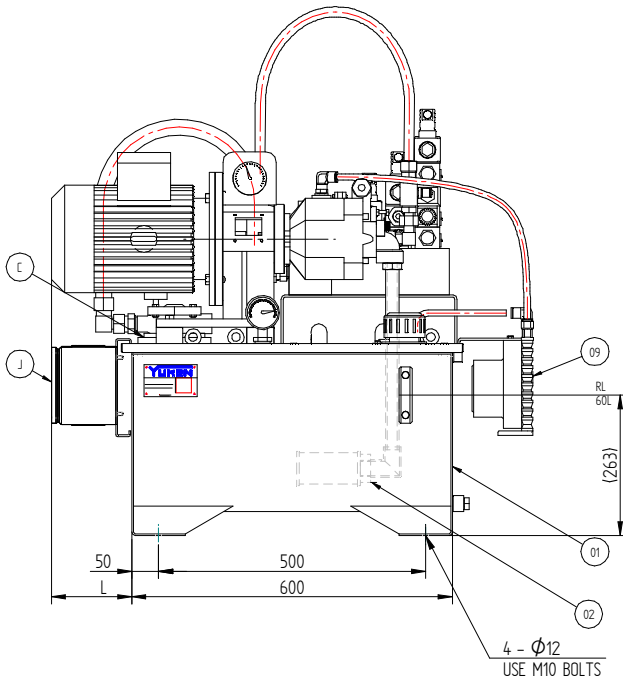


Yuken Standard Power Pack

■ YIA Pack Overall Dimension: YIA-**-*-6-**-**-10

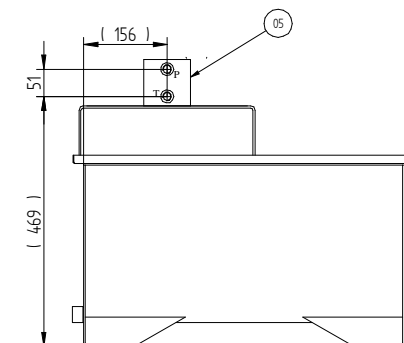


STD UNIT					
SL NO	TYPE	DESCRIPTION	MODEL CODE	MAKE	QTY
1	S	MILD STEEL TANK-60 LITERS	YU-10024	Yuken	1
2	S	SUCTION STRAINER	YSS-15G	YIL	1
3	S	VARIABLE DISPLACEMENT PISTON PUMP	AR16-FR01-B/C AR22-FR01-B	Yuken Japan	1
4	S	ELECTRICAL MOTOR	2.2/3.7/5.5kW x 4P 30-415V 50Hz B5 EFH2	Hindustan Motors	1
5	S	BULK HEAD BAR	YU-10045	Yuken	1
6	S	TANK TOP RETURN LINE FILTER	YTFR-06-11SL-25M-V1	YIL	1
7	S	PRESSURE GAUGE	YPG-63-G-100-FB-10	YIL	1
8	S	CHECK VALVE	CTV-03-S-2080	Yuken	1
9	S	AIR BLAST OIL COOLER	AMC-217-15	YUKEN	1



User Termination Ports With MMC Manifold

SL NO	MODEL CODE	LENGTH(L)
1	YIA-**-*-6-**-2.2-**-10	150
2	YIA-**-*-6-**-3.7-**-10	173
3	YIA-**-*-6-**-5.5-**-10	210

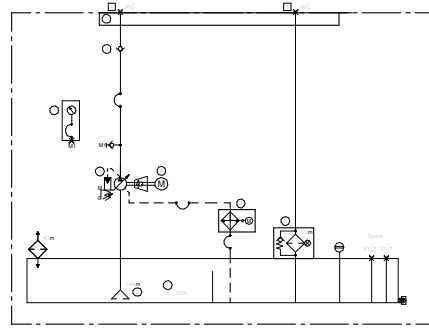
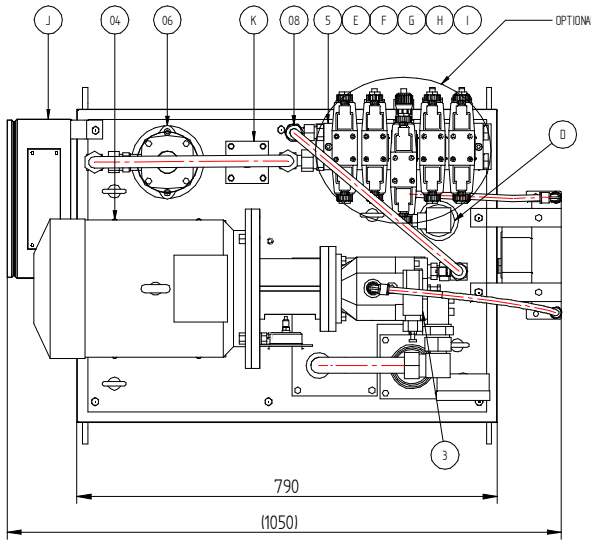


User Termination Ports Without MMC Manifold

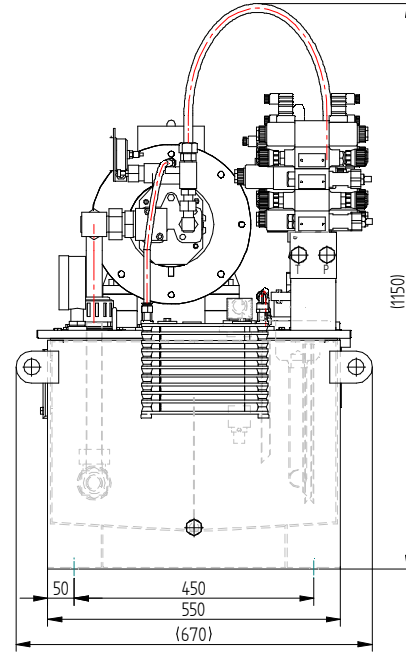
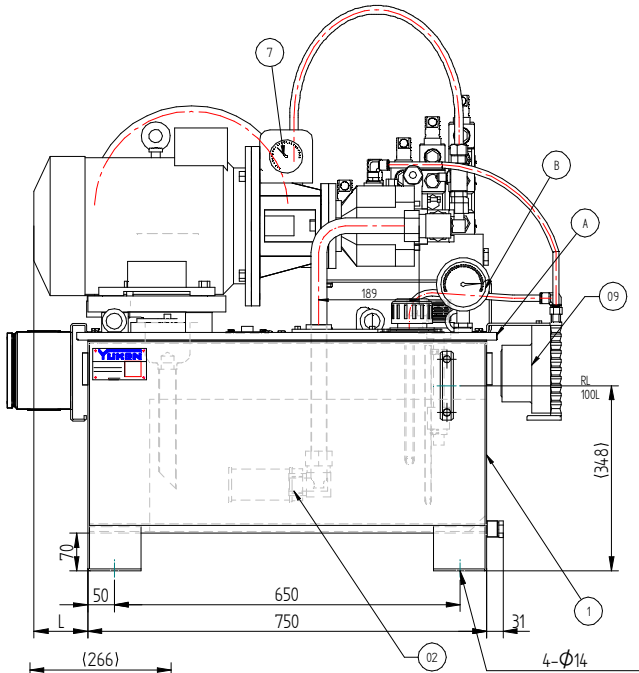


Yuken Standard Power Pack

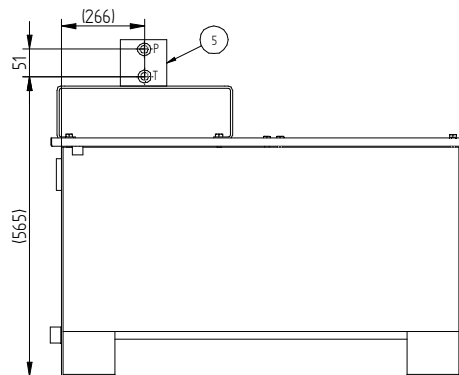
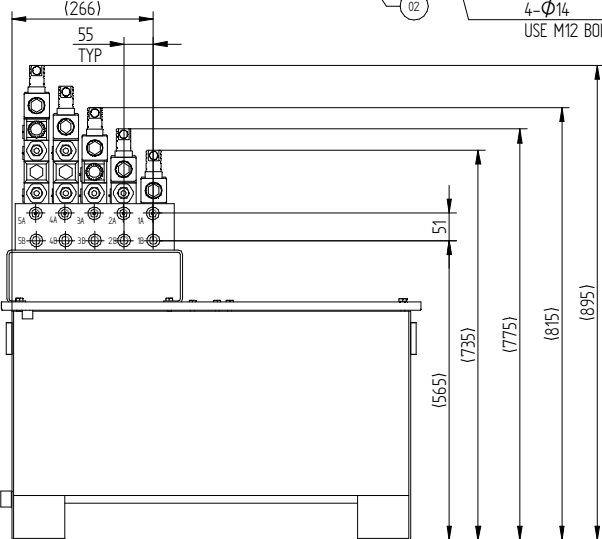
■ YIA Pack Overall Dimension: YIA-**-*-10-***-**-10



STD UNIT					
SL.NO	TYPE	DESCRIPTION	MODEL CODE	MAKE	QTY
1	S	MILD STEEL TANK 100LITERS	YU-10028	Yuken	1
2	B	SUCTION STRAINER	YSS-20G	YIL	1
3	I	VARIABLE DISPLACEMENT PISTON PUMP	AR16-FR01-C, AR22-FR01-BC	Yuken Japan	1
4	B	ELECTRICAL MOTOR	3.7/5.5/7.5/9.3/11kW 4 4P 30 415V 50Hz B3 BFD	Hindustan Motors	1
5	S	BULK HEAD BAR	YU-10045	Yuken	1
6	B	RETURN LINE FILTER WITH CLOG INDICATOR	YTFPR-06-11SL-25M-VI	Yuken	1
7	B	PRESSURE GAUGE	YPG-63-G-100-FB-10	YIL	1
8	E	CHECK VALVE	CTV-63-5-2080	Yuken	1
9	B	AIR BLAST OIL COOLER	AMC-217-15	Yuken	1



SL.NO	MODEL CODE	LENGTH(L)
1	YIA-**-*.10-***-3,7-***.10	1
2	YIA-**-*.10-***-5,5-***.10	101
3	YIA-**-*.10-***-7,5-***.10	101
4	YIA-**-*.10-***-9,3-***.10	123
5	YIA-**-*.10-***-11-***.10	123



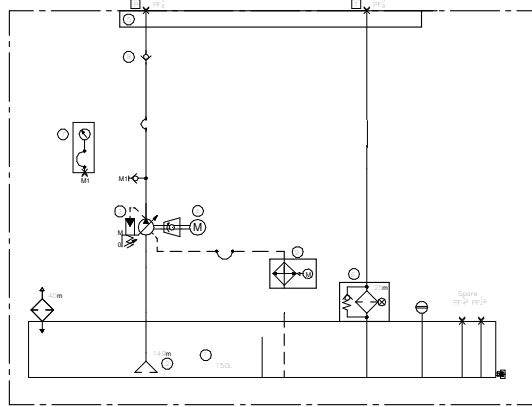
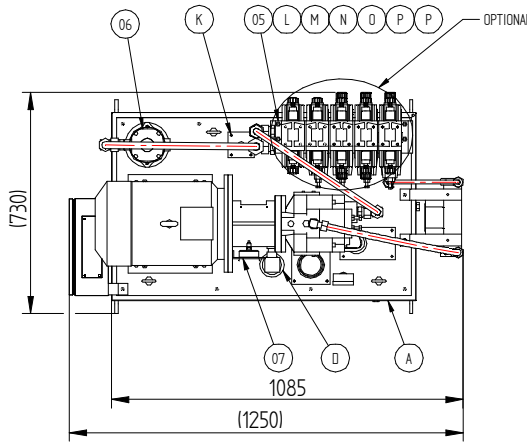
User Termination Ports With MMC Manifold

User Termination Ports Without MMC Manifold

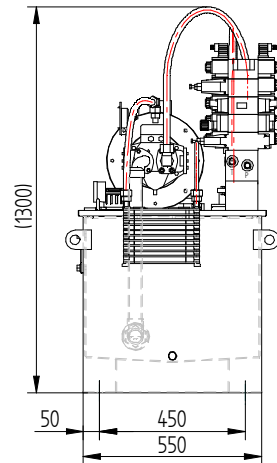
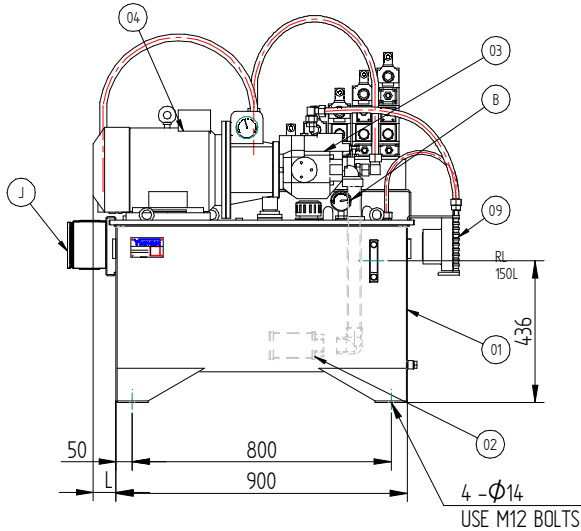


Yuken Standard Power Pack

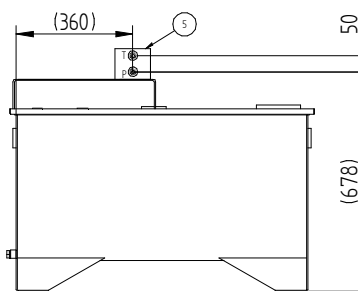
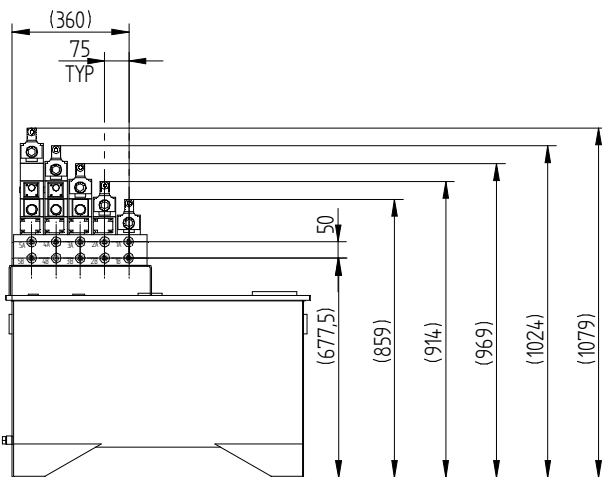
■ YIA Pack Overall Dimension: YIA-**-*-15-***-**-10



STD UNIT					
SL.NO	TYPE	DESCRIPTION	MODEL CODE	MAKE	QTY
1	S	MILD STEEL TANK-150LITERS	YU-10036	Yuken	1
2	B	SUCTION STRAINER	YSS-30G	YIL	1
3	I	VARIABLE DISPLACEMENT PISTON PUMP	A-37-FR01-BC	Yuken Japan	1
4	B	ELECTRICAL MOTOR	3.7/5.5/7.5/9.3/11kW x 4P 3Φ 415V 50Hz B35 EFF2	Hindustan Motors	1
5	S	BULK HEAD BAR	YU-10046	Yuken	1
6	B	RETURN LINE FILTER WITH CLOG INDICATOR	YTFR-08-160L-25M-VI	YIL	1
7	B	PRESSURE GAUGE	YPG-63-G-100-FB-10	YIL	1
8	E	CHECK VALVE	CTI-06-5-2080	Yuken	1
9	B	AIR BLAST OIL COOLER	AMC-217-15	Yuken	1



SL NO	MODEL CODE	LENGTH(L)
1	YIA-**-*.15-**-3.7-***-10	0
2	YIA-**-*.15-**-5.5-***-10	0
3	YIA-**-*.15-**-7.5-***-10	70
4	YIA-**-*.15-**-9.3-***-10	105
5	YIA-**-*.15-**-11-***-10	105



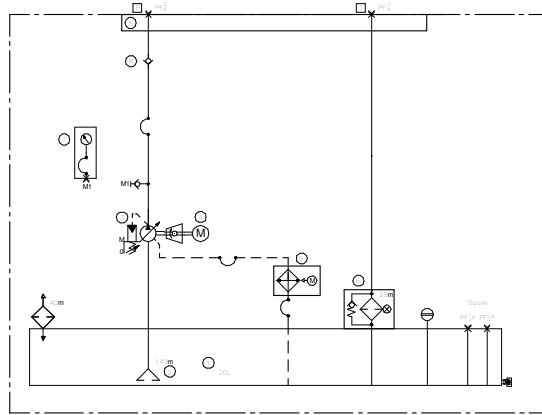
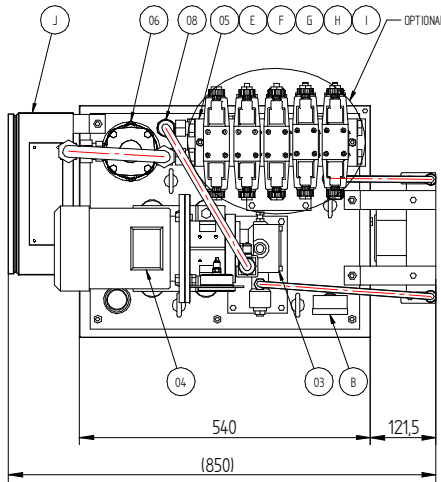
User Termination Ports With MMC Manifold

User Termination Ports Without MMC Manifold

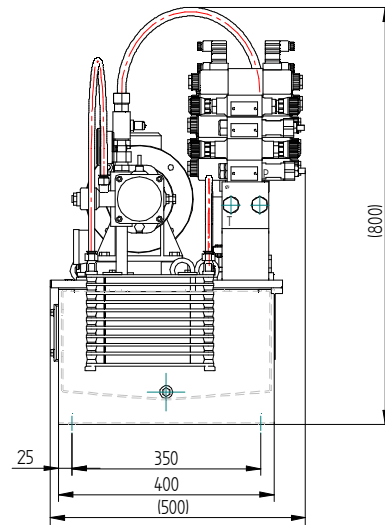
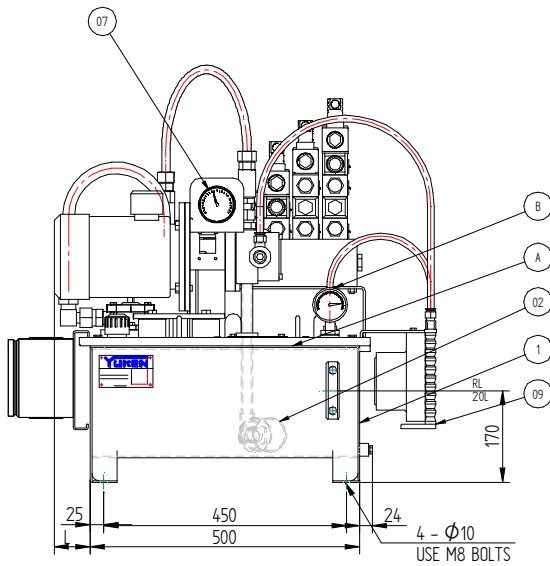


Yuken Standard Power Pack

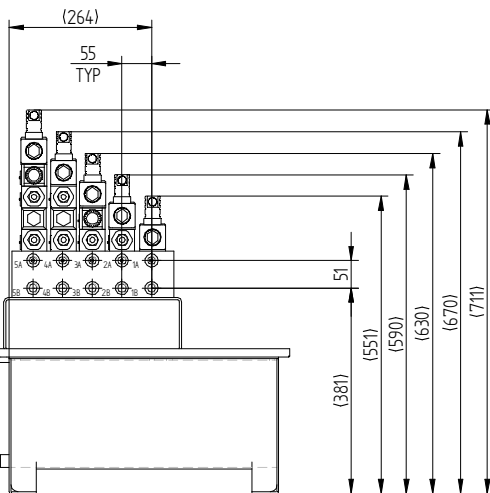
■ YIV Pack Overall Dimension: YIV-**-*-2-***-**-10



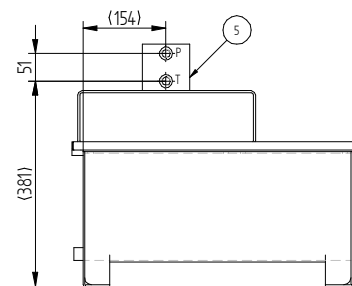
STD UNIT						
SL.NO	TYPE	DESCRIPTION	MODEL CODE	MAKE	QTY	
1	S	MILD STEEL TANK-20LITERS	YU-10001	Yuken	1	
2	B	SUCTION STRAINER	YSS-10G	YIL	1	
3	I	VARIABLE DISPLACEMENT VANE PUMP	SVPF-12-70-10	Yuken	1	
4	B	ELECTRICAL MOTOR	0.55/1.1kW x 4P 3Ø 415V 50Hz B5 EFF2	Hindustan Motors	1	
5	S	BULK HEAD BAR	YU-10045	Yuken	1	
6	B	RETURN LINE FILTER WITH CLOG INDICATOR	YTFR-04-50L-25M-VI	Yuken	1	
7	B	PRESSURE GAUGE	YPG-63-G-70-FB-10	YIL	1	
8	E	CHECK VALVE	CTI-03-5-2080	Yuken	1	
9	B	AIR BLAST OIL COOLER	AMC-217-15	Yuken	1	



SL.NO	MODEL CODE	LENGTH(L)
1	YIV-**-*-2-**-55-**-10	67
2	YIV-**-*-2-**-1.1-**-10	100



User Termination Ports With MMC Manifold

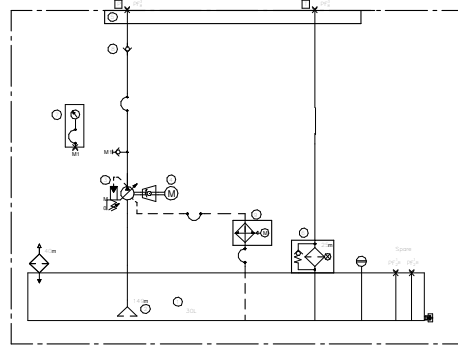
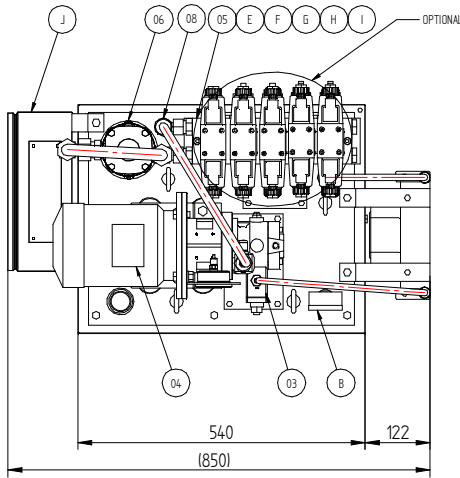


User Termination Ports Without MMC Manifold

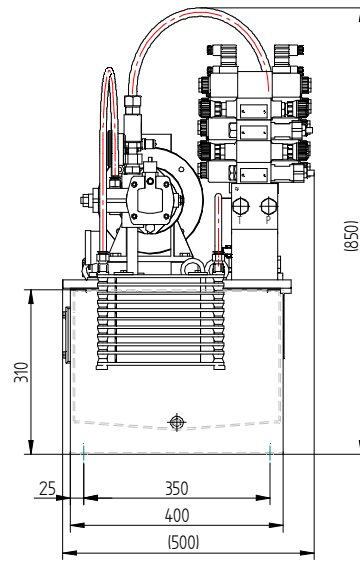
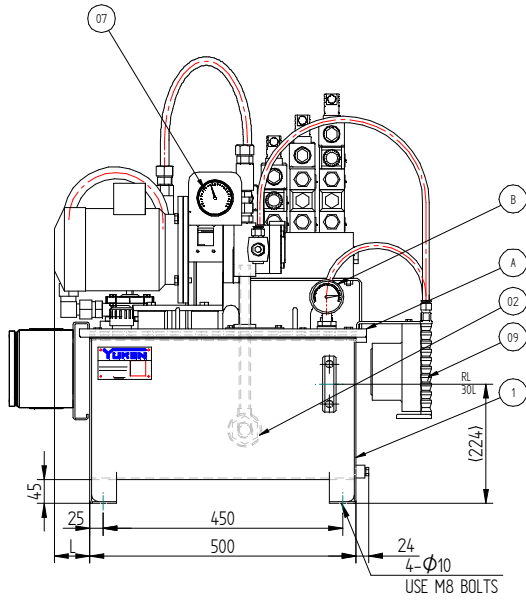


Yuken Standard Power Pack

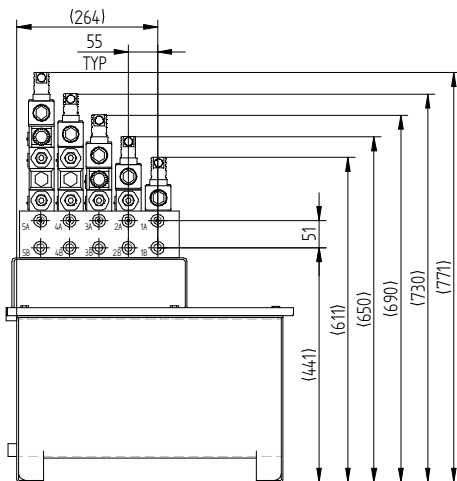
■ YIV Pack Overall Dimension: YIV-**-*-3-***-**-10



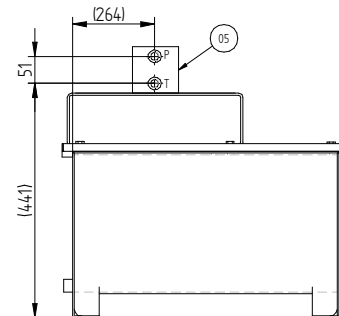
STD UNIT					
SL.NO	TYPE	DESCRIPTION	MODEL CODE	MAKE	QTY
1	S	MILD STEEL TANK-30LITERS	YU-10018	Yuken	1
2	B	SUCTION STRAINER	YSS-10G	YIL	1
3	I	VARIABLE DISPLACEMENT VANE PUMP	SVPF-12-70-10	Yuken	1
4	B	ELECTRICAL MOTOR	0.75/1.1/1.5kW x 4P 3Ø 415V 50Hz B5 EFF2	Hindustan Motors	1
5	S	BULK HEAD BAR	YU-10045	Yuken	1
6	B	RETURN LINE FILTER WITH CLOG INDICATOR	YTFR-04-50L-25M-VI	Yuken	1
7	B	PRESSURE GAUGE	YPG-63-G-70-FB-10	YIL	1
8	E	CHECK VALVE	CIT-03-5-2080	Yuken	1
9	B	AIR BLAST OIL COOLER	AMC-217-15	Yuken	1



SL NO	MODEL CODE	LENGTH(L)
1	YIV-**-*-3-**-0.75-***-10	67
2	YIV-**-*-3-**-1.1-***-10	100
3	YIV-**-*-3-**-1.5-***-10	125



User Termination Ports With MMC Manifold

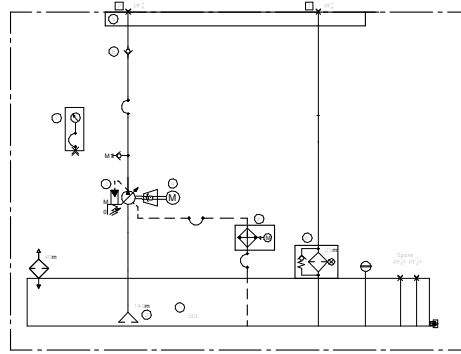
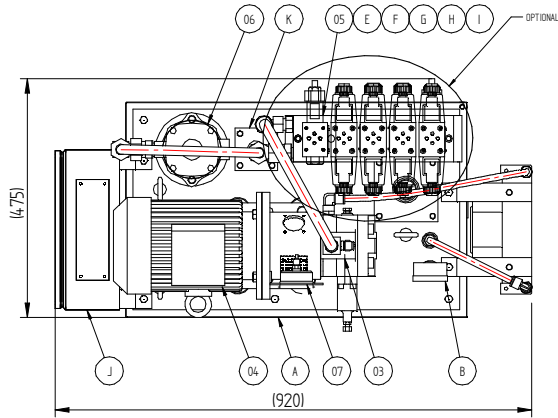


User Termination Ports Without MMC Manifold

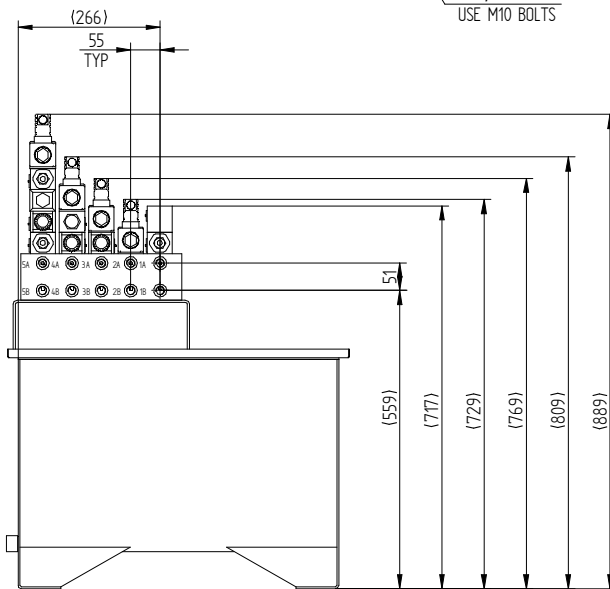
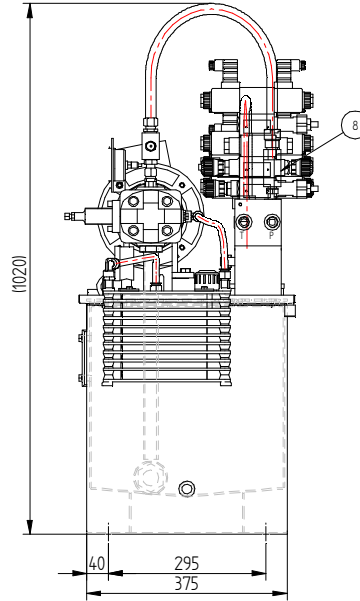
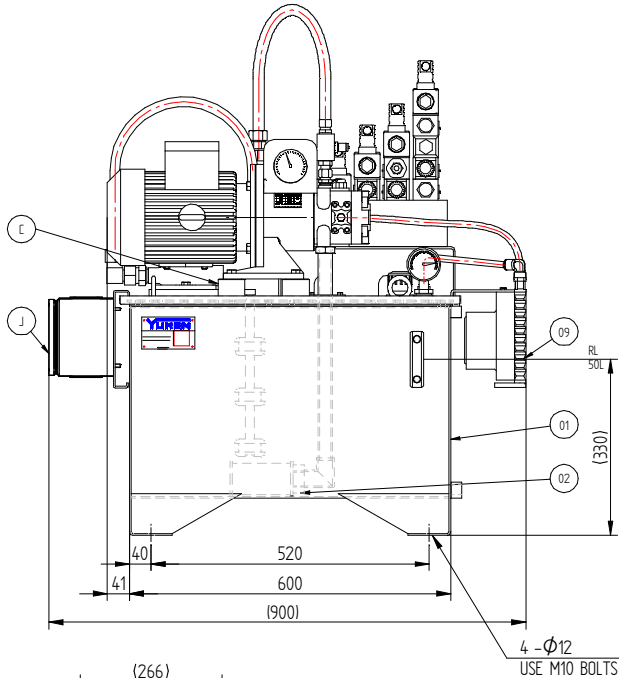


Yuken Standard Power Pack

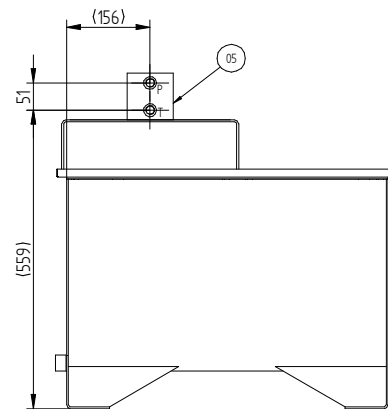
■ YIV Pack Overall Dimension: YIV-**-*-5-***-**-10



SL.NO	TYPE	DESCRIPTION	MODEL CODE	MAKE	QTY
1	S	MILD STEEL TANK 50 LITERS	YU 10019	Yuken	1
2	B	SUCTION STRAINER	YSS-15Q	YIL	1
3	E	VARIABLE DISPLACEMENT VANE PUMP	SVPE-12-70-10, RV-20-SF-17-C, SVPF-30-70-10	YUKEN	1
4	B	ELECTRICAL MOTOR	1.5KW x 4P 3-Ø 415V 50Hz B5 EFF2	Hindustan Motors	1
5	S	BULK HEAD BAR	YU-10045	Yuken	1
6	B	TANK TOP RETURN LINE FILTER	VTFR-66-11SL-25M-V1	YIL	1
7	B	PRESSURE GAUGE	YPG-63-G-70-FB-10	YIL	1
8	E	CHECK VALVE	CTV-05-S-2080	Yuken	1
9	B	AIR-BLAST OIL COOLER	AMC-217-15	YUKEN	1



User Termination Ports With MMC Manifold

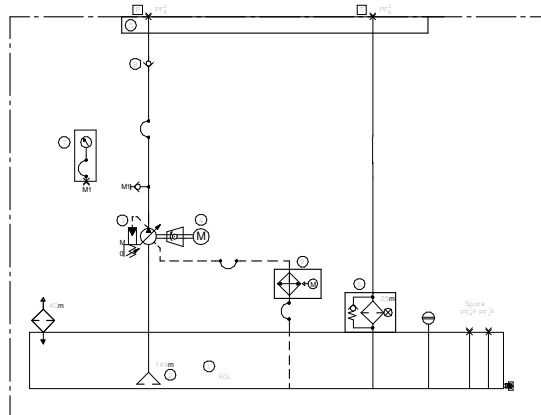
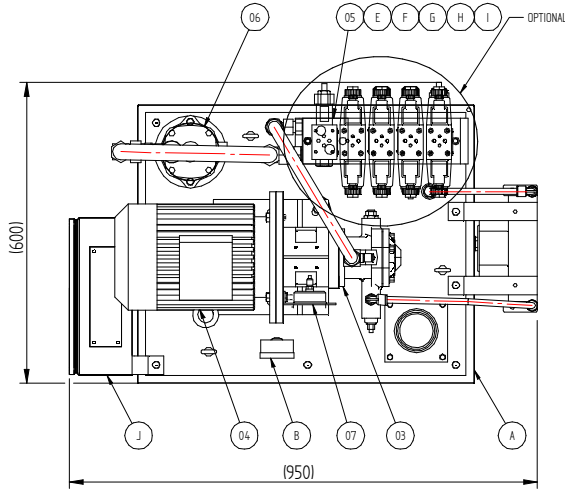


User Termination Ports Without MMC Manifold

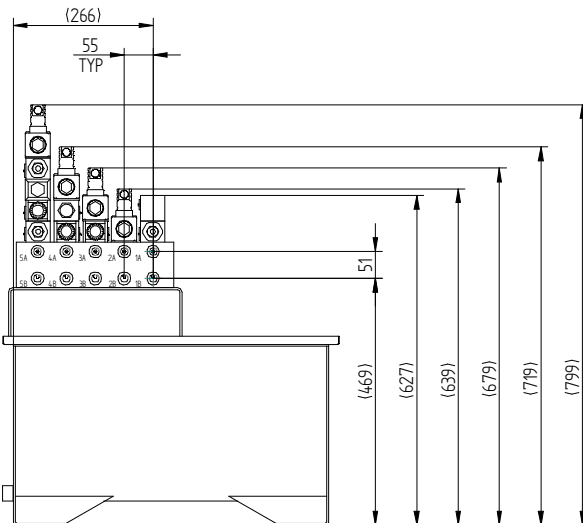
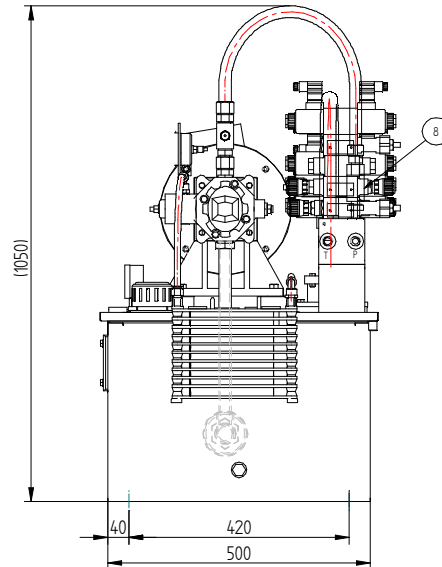
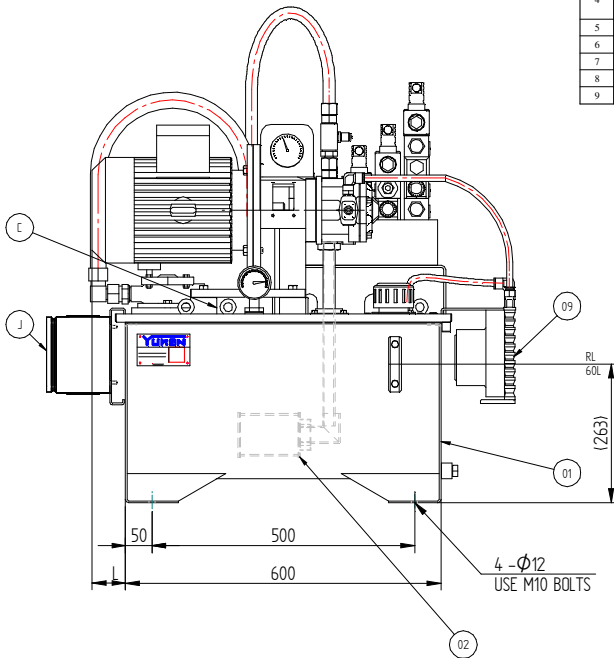


Yuken Standard Power Pack

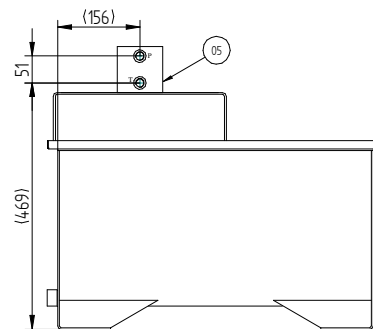
■ YIV Pack Overall Dimension: YIV-**-**-6-***-**-10



SLNO	TYPE	DESCRIPTION	MODEL CODE	MAKE	QTY
1	S	MILD STEEL TANK - 60 LITERS	YU-10024	Yuken	1
2	B	SUCTION STRAINER	YSS-20G	YIL	1
3	E	VARIABLE DISPLACEMENT PISTON PUMP	RV-20-SF-D, SVPF-30/40-70-10	Yuken Japan	1
4	B	ELECTRICAL MOTOR	2.2/3.7kW x 4P 3φ 415V 50Hz B5 EF2	Hindustan Motors	1
5	S	BULK HEAD BAR	YU-10045	Yuken	1
6	B	TANK TOP RETURN LINE FILTER	YTFR-06-11 SL-25M-V1	YIL	1
7	B	PRESSURE GAUGE	YPG-63-G-70-FB-10	YIL	1
8	E	CHECK VALVE	CTV-03-5-2080	Yuken	1
9	B	AIR BLAST OIL COOLER	AMC-217-15	Yuken	1



SL NO	MODEL CODE	LENGTH(L)
1	YIV-**-**-6-**-2.2-***-10	64
2	YIV-**-**-6-**-3.7-***-10	86



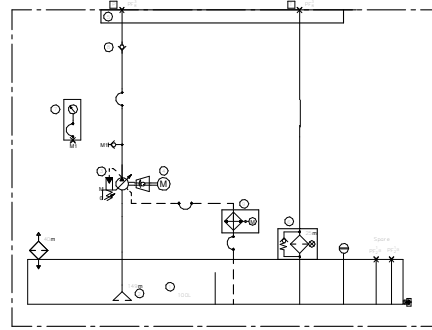
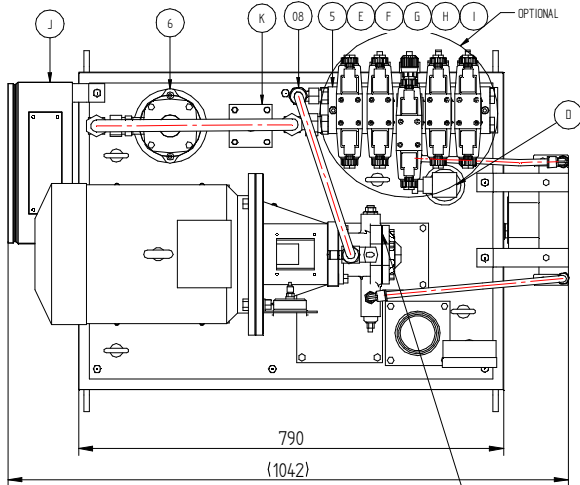
User Termination Ports With MMC Manifold

User Termination Ports Without MMC Manifold

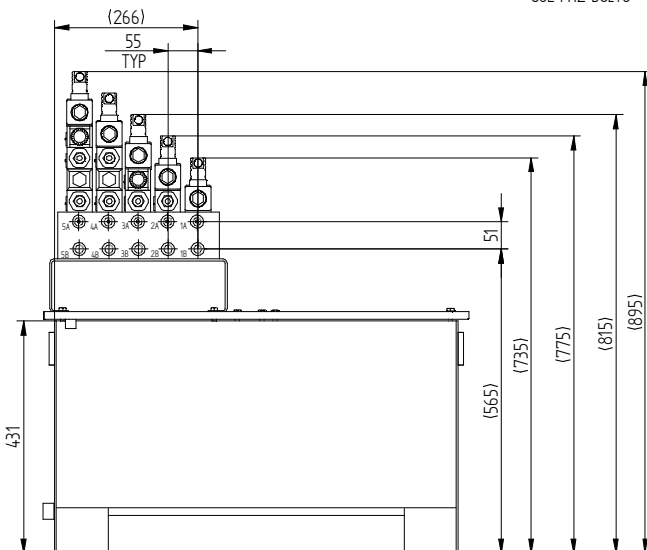
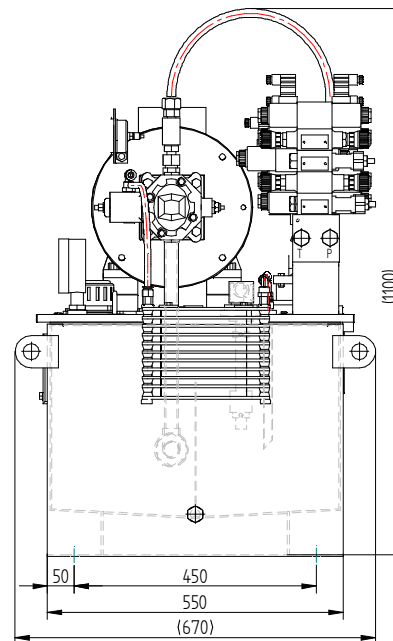
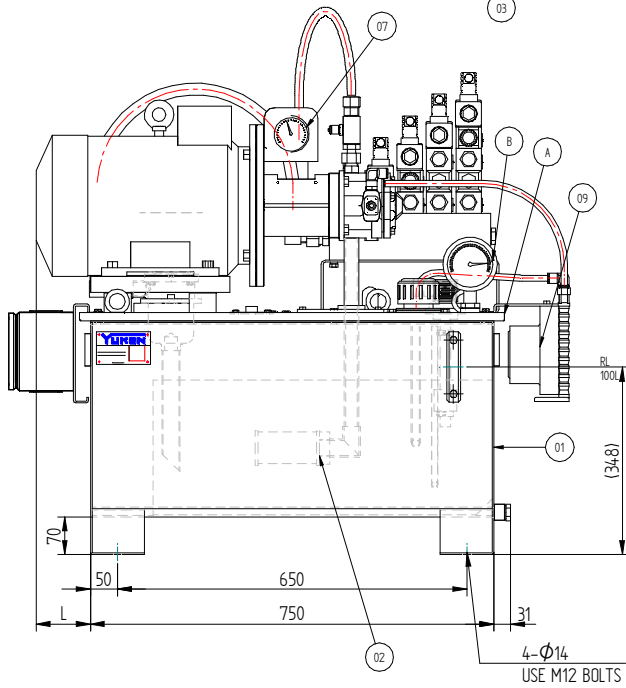


Yuken Standard Power Pack

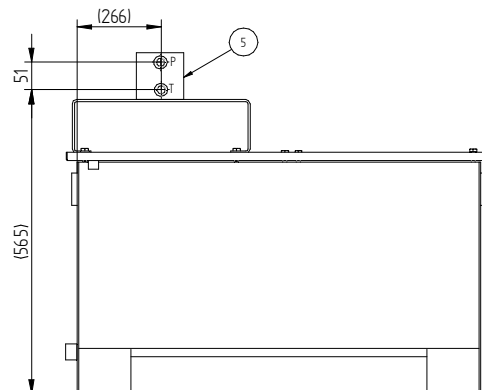
■ YIV Pack Overall Dimension: YIV-**-*-10-**-**-10



STD UNIT					
SL NO	TYPE	DESCRIPTION	MODEL CODE	MAKE	QTY
1	S	MILD STEEL TANK-100 LITERS	YU-10028	Yuken	1
2	B	SUCTION STRAINER	YSS-20G	YIL	1
3	I	VARIABLE DISPLACEMENT VANE PUMP	SVPE-3040-70-10	Yuken	1
4	B	ELECTRICAL MOTOR	3.7/5.5KW x 4P 3Ø 415V 50Hz B35 EFF2	Hindustan Motors	1
5	S	BULK HEAD BAR	YU-10045	Yuken	1
6	B	RETURN LINE FILTER WITH CLOG INDICATOR	YTFR-06-11SL-25M-VI	Yuken	1
7	B	PRESSURE GAUGE	YPG-63-G-100-FB-10	Yuken	1
8	E	CHECK VALVE	CTI-03-5-2080	YIL	1
9	B	AIR BLAST OIL COOLER	AMC-217-15	Yuken	1



SL NO	MODEL CODE	LENGTH(L)
1	YIV-**-*-10-**-3.7-**-10	1
2	YIV-**-*-10-**-5.5-**-10	101



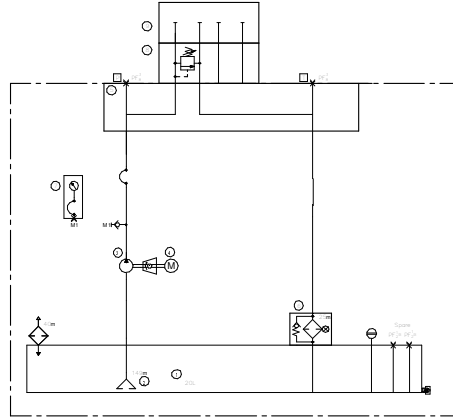
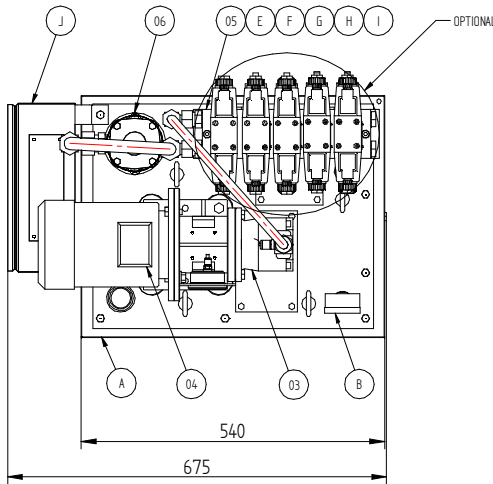
User Termination Ports With MMC Manifold

User Termination Ports Without MMC Manifold

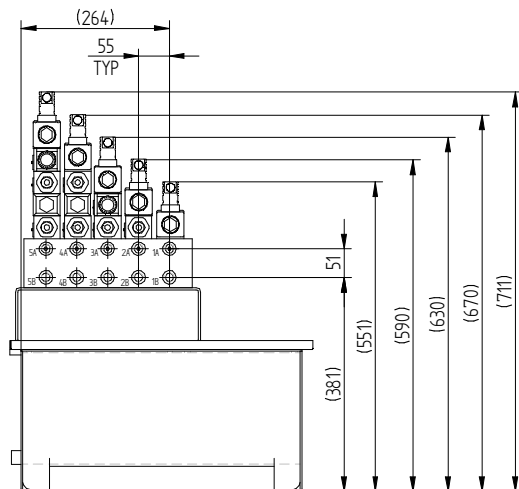
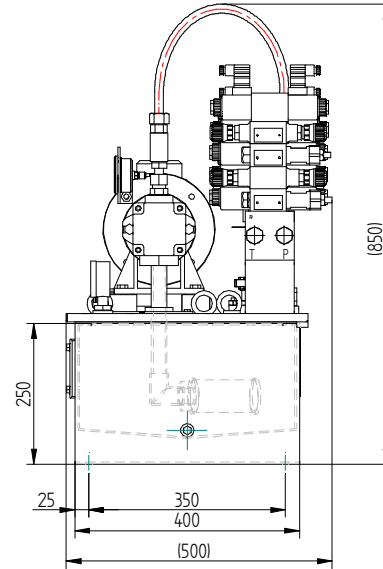
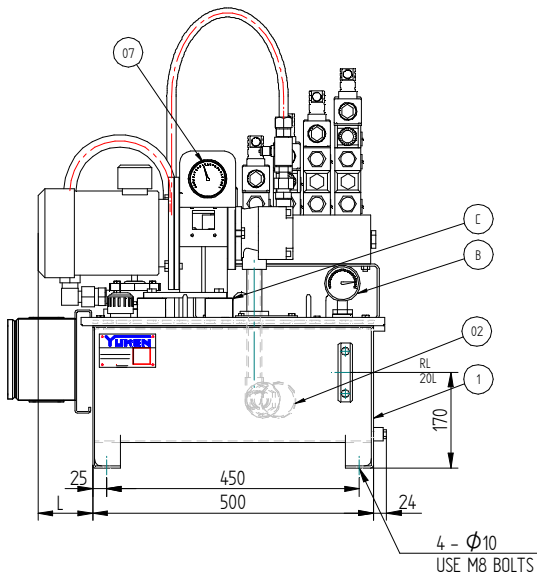


Yuken Standard Power Pack

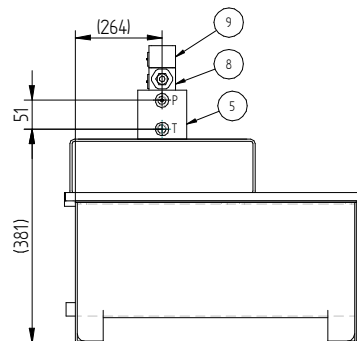
■ YIP Pack Overall Dimension: YIP-**-*-2-***-**-10



STD UNIT					
SL.NO	TYPE	DESCRIPTION	MODEL CODE	MAKE	QTY
1	S	MILD STEEL TANK-20LITERS	YU10001	Yuken	1
2	B	SUCTION STRAINER	YSS-10G	YIL	1
3	E	FIXED DISPLACEMENT VANE PUMP	PVR1T-48	Yuken	1
4	B	ELECTRICAL MOTOR	0.55/1.1kW x 4P 3Φ-415V 50Hz B5 EFF2	Hindustan Motors	1
5	S	BULK HEAD BAR	YU-10042	Yuken	1
6	B	RETURN LINE FILTER WITH CLOG INDICATOR	YTFR-04-50L-25M-VI	Yuken	1
7	B	PRESSURE GAUGE	YPG-63-G-70-FB-10	YIL	1
8	E	RELIEF VALVE	MBP-01-C-30	Yuken	1
9	E	BLOCKING PLATE	MDC-01-A-30	Yuken	1



SL NO	MODEL CODE	LENGTH(L)
1	YIP-**-*-2-**-0.55-**-10	97
2	YIP-**-*-2-**-1.1-**-10	130



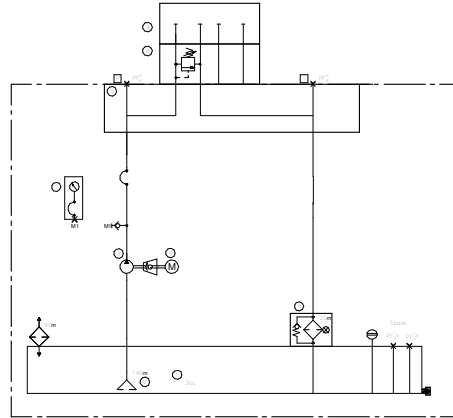
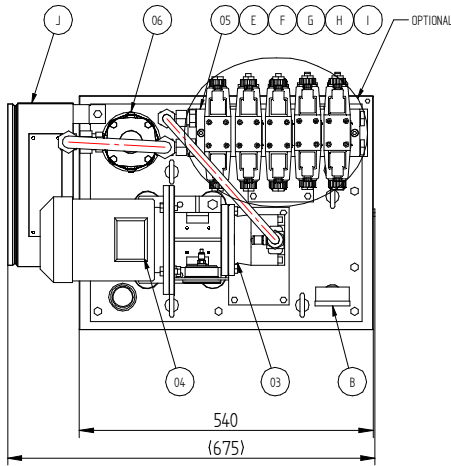
User Termination Ports With MMC Manifold

User Termination Ports Without MMC Manifold

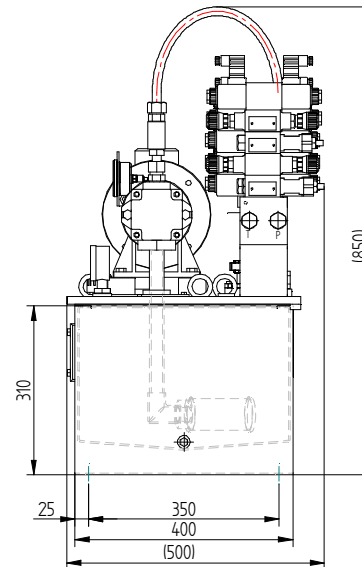
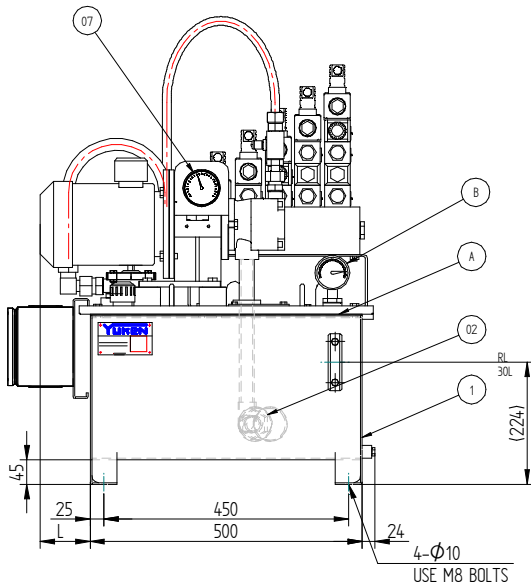


Yuken Standard Power Pack

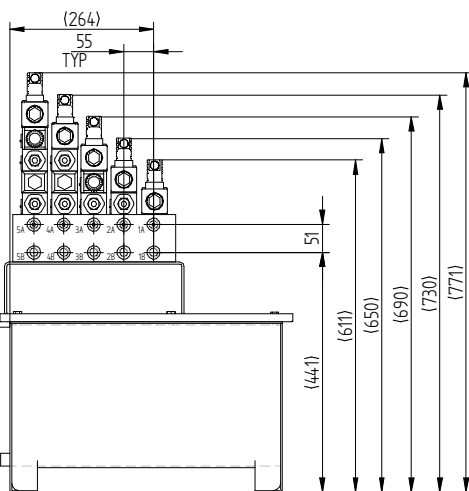
■ YIP Pack Overall Dimension: YIP-**-*-3-**-**-10



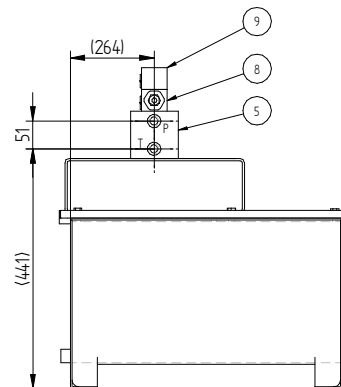
STD UNIT					
SL_NO	TYPE	DESCRIPTION	MODEL CODE	MAKE	QTY
1	S	MILD STEEL TANK-30LITERS	YU-10018	Yuken	1
2	B	SUCTION STRAINER	YSS-10G	Yuken	1
3	E	FIXED DISPLACEMENT VANE PUMP	PVR-IT-4S	Yuken	1
4	B	ELECTRICAL MOTOR	075/1.1/5KW x 4P 3PH 415V 50Hz B5 EFF2	Hindustan Motors	1
5	S	BULK HEAD BAR	YU-10042	Yuken	1
6	B	RETURN LINE FILTER WITH CLOG INDICATOR	YTFR-04-50L-25M-VI	Yuken	1
7	B	PRESSURE GAUGE	YPG-63-G-70-FB-10	YIL	1
8	E	RELIEF VALVE	MBP-01-C-30	Yuken	1
9	E	BLOCKING PLATE	MDC-01-A-30	Yuken	1



SL NO	MODEL CODE	LENGTH(L)
1	YIP-**-*-3-**-0.75-**-10	92
2	YIP-**-*-3-**-1.1-**-10	124
3	YIP-**-*-3-**-1.5-**-10	149



User Termination Ports With MMC Manifold

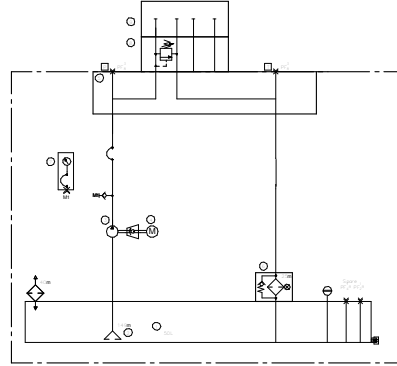
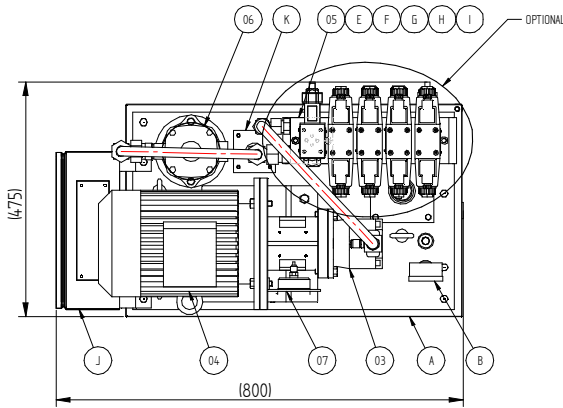


User Termination Ports Without MMC Manifold

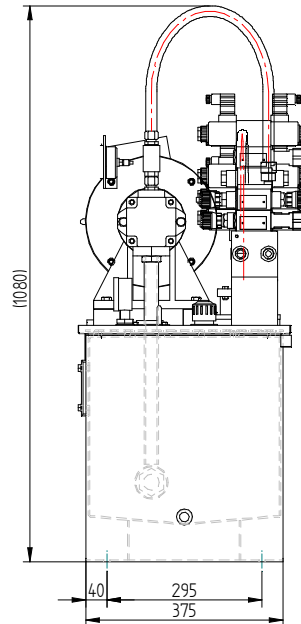
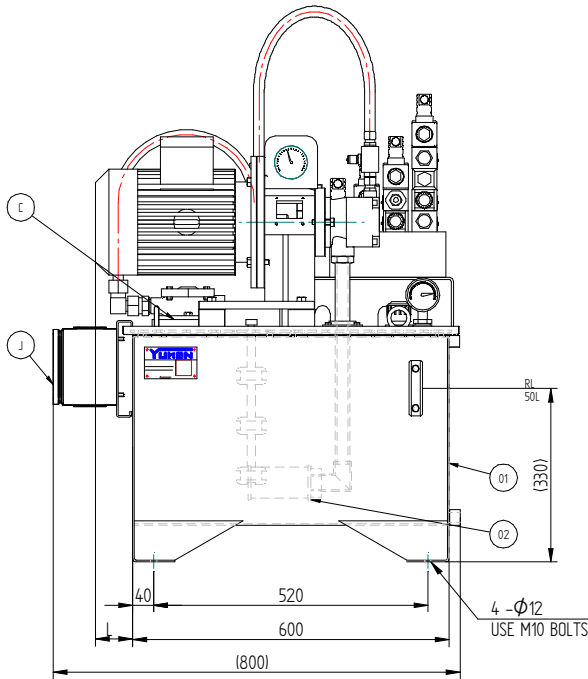


Yuken Standard Power Pack

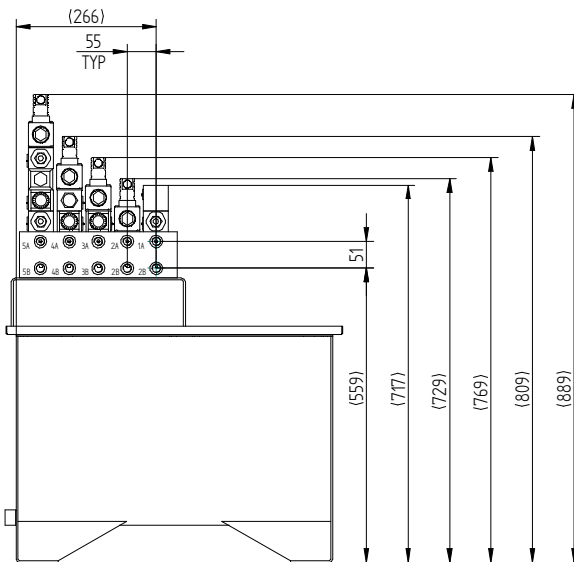
■ YIP Pack Overall Dimension: YIP-**-*-5-**-**-10



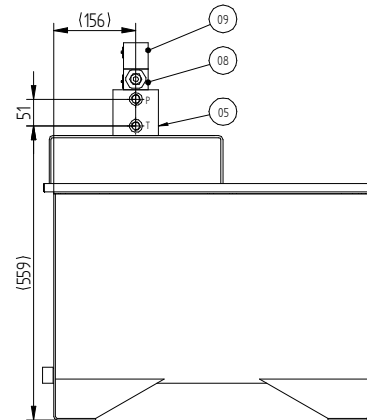
STD UNIT					
SL.NO	TYPE	DESCRIPTION	MODEL CODE	MAKE	QTY
1	S	MILD STEEL TANK-50LITERS	YU-10019	Yuken	1
2	B	SUCTION STRAINER	YSS-15G	YIL	1
3	E	FIXED DISPLACEMENT VANE PUMP	PVR1T-8/10/15	Yuken	1
4	B	ELECTRICAL MOTOR	1.5/2.2kW x 4P 3Ø 415V 50Hz B5 EFF2	Hindustan Motors	1
5	S	BULK HEAD BAR	YU-10042	Yuken	1
6	B	TANK TOP RETURN LINE FILTER	YTFR-06-11SL-2SM-VI	YUKEN	1
7	B	PRESSURE GAUGE	YPG-63-G-100-FB-10	Yuken	1
8	E	RELIEF VALVE	MBP-01-C-30	Yuken	1
9	E	BLOCKING PLATE	MDC-01-A-30	Yuken	1



SL NO	MODEL CODE	LENGTH(L)
1	YIP-**-*-5-**-1.5-**-**-10	47
2	YIP-**-*-5-**-2.2-**-**-10	71



User Termination Ports With MMC Manifold

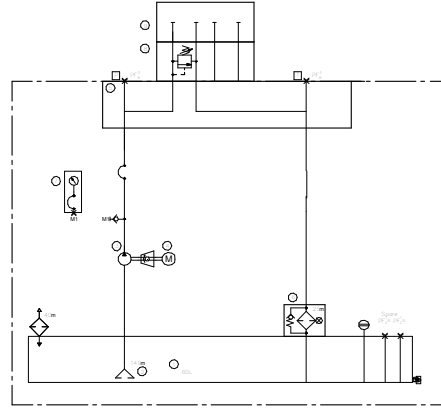
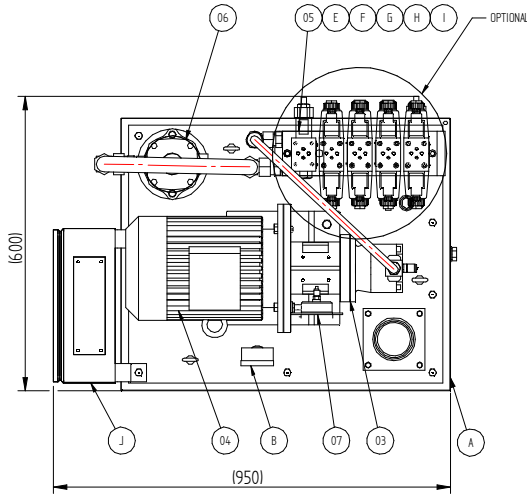


User Termination Ports Without MMC Manifold

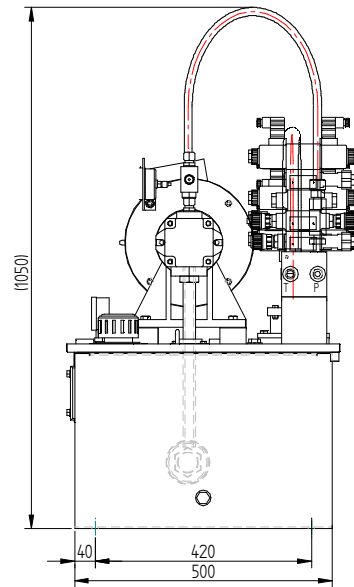
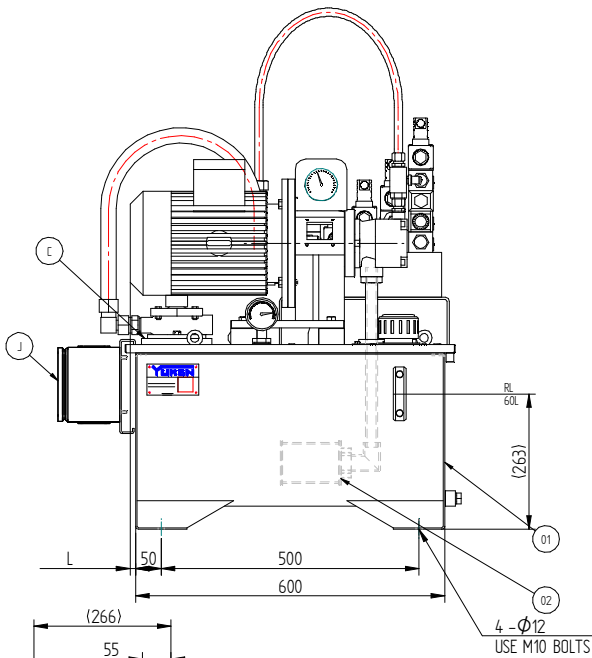


Yuken Standard Power Pack

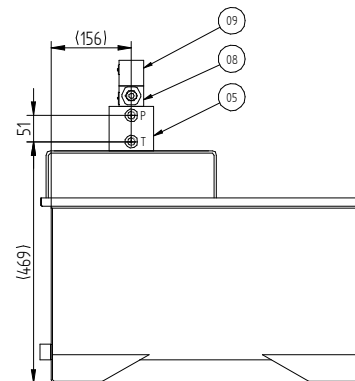
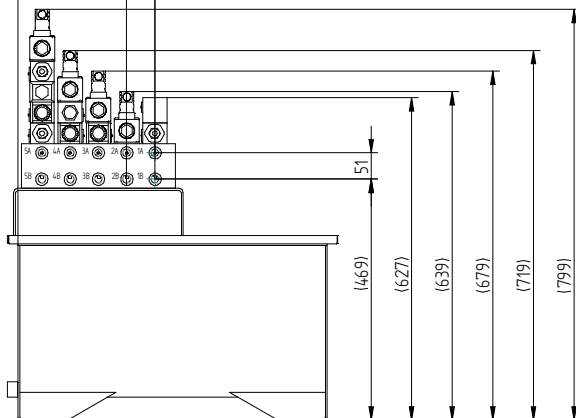
■ YIP Pack Overall Dimension: YIP-**-*-6-***-**-10



STD UNIT						
SL NO	TYPE	DESCRIPTION	MODEL CODE	MAKE	QTY	
1	S	MILD STEEL TANK -60 LITERS	YU-10024	Yuken	1	
2	B	SUCTION STRAINER	YSS-1SG	YIL	1	
3	E	VARIABLE DISPLACEMENT PISTON PUMP	PVR1T-8/10/15	Yuken Japan	1	
4	B	ELECTRICAL MOTOR	2.2/3.7/5.5kW x 4P 3Φ 415V 50Hz BS EFF2	Hindustan Motors	1	
5	S	BULK HEAD BAR	YU-10042	Yuken	1	
6	B	TANK TOP RETURN LINE FILTER	YTFR-06-11SL-2SM-VI	YIL	1	
7	B	PRESSURE GAUGE	YPG-63-G-70-FB-10	YIL	1	
8	E	RELIEF VALVE	MBP-01-H-30	Yuken	1	
9	E	BLOCKING PLATE	MDC-01-A-30	YUKEN	1	



SL NO	MODEL CODE	LENGTH(L)
1	YIP-**-*-6-**-2.2-***-10	11
2	YIP-**-*-6-**-3.7-***-10	33
3	YIP-**-*-6-**-5.5-***-10	124



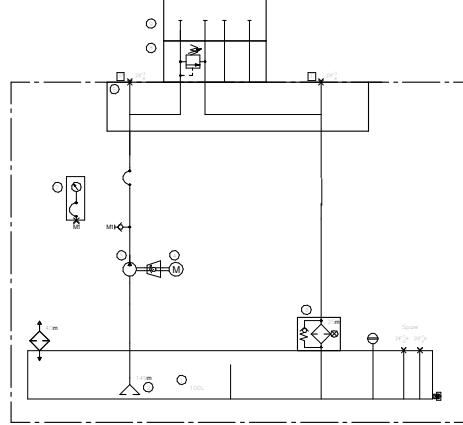
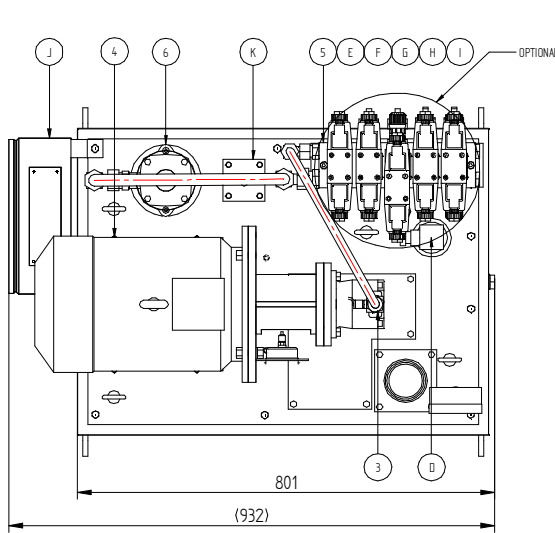
User Termination Ports With MMC Manifold

User Termination Ports Without MMC Manifold

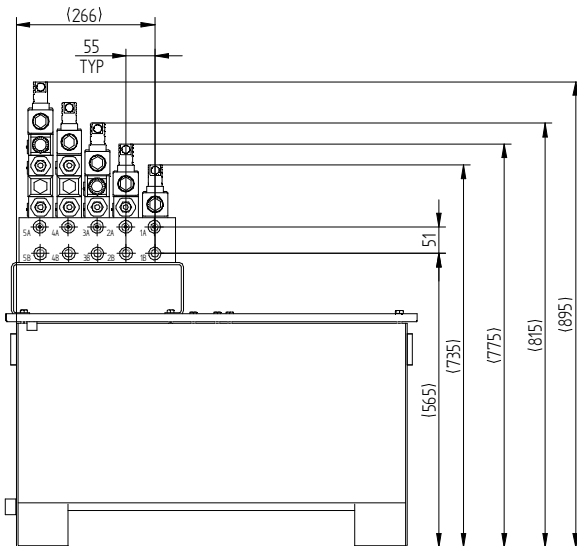
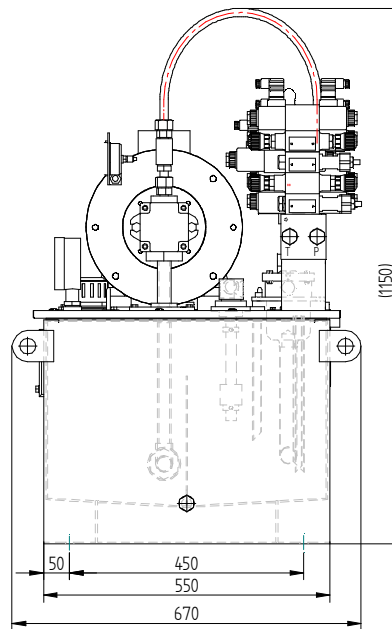
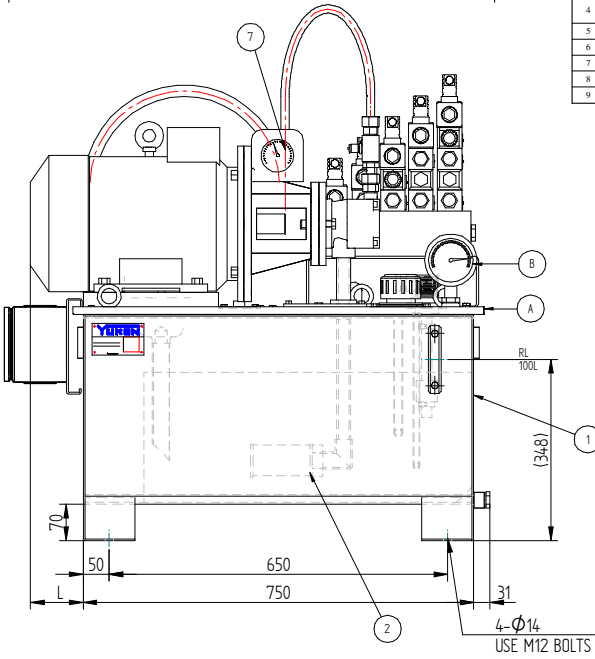


Yuken Standard Power Pack

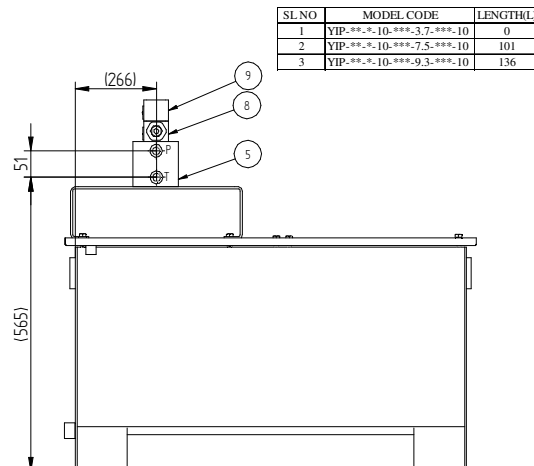
■ YIP Pack Overall Dimension: YIP-**-*-10-***-**-10



STD UNIT					
SLNO	TYPE	DESCRIPTION	MODEL CODE	MAKE	QTY
1	S	MILD STEEL TANK-100LITERS	YU-10028	Yuken	1
2	B	SUCTION STRAINER	3SS-200	YIL	1
3	E	FIXED DISPLACEMENT VANE PUMP	PVPR1-1017	Yuken	1
4	B	ELECTRICAL MOTOR	3.77.59.3W x 4P 30-415V 50Hz B35 EFF2	Indianan Motors	1
5	S	BULK HEAD BAR	YU-10042	Yuken	1
6	B	RETURN LINE FILTER WITH CLOG INDICATOR	YTFR-06-115L-25M-VI	Yuken	1
7	B	PRESSURE GAUGE	YPG-63-G-210-FB-10	YIL	1
8	E	RELIEF VALVE	MBP-01-H-30	Yuken	1
9	E	BLOCKING PLATE	MDC-01-A-30	Yuken	1



User Termination Ports With MMC Manifold



User Termination Ports Without MMC Manifold

SL NO	MODEL CODE	LENGTH(L)
1	YIP-**-*-10-***-3.7-**-10	0
2	YIP-**-*-10-***-7.5-**-10	101
3	YIP-**-*-10-***-9.3-**-10	136



YUKEN INDIA LIMITED

#16, WHITEFIELD ROAD, WHITE FIELD

BANGALORE- 560066

KARNATAKA, INDIA

Tel: +91-80-28452262, 28452088

Fax: 91-80-28452261, 28451560

E-mail: enquiry @yukenindia.com

Visit us at www.yukenindia.com



Depend on us