

VT7E or VT7ES - 072 - 1 R 00 - A 1 M0 -

SP

Series

VT7E series-125 A2 HW
ISO 2 bolts 3019-2 mounting flange
VT7ES series- SAE C 2 bolts
Mounting flange J744

Camring

Volumetric displacement cm^3/rev (in^3/rev)

042 = 132.2 (8.07)	057 = 183.2 (11.18)
045 = 142.5 (8.70)	062 = 196.6 (12.0)
050 = 158.5 (9.67)	066 = 213.0 (13.0)
052 = 163.8 (10.0)	072 = 227.1 (13.86)
054 = 170.9 (10.43)	085 = 268.7 (16.40)

Type of shaft VT7E-VT7ES

5 - keyed (ISO R775-G38M)

Type of shaft VT7ES

- 1 - keyed (SAE CC)
- 2 - keyed (no SAE)
- 3 - splined (SAE C)
- 4 - splined (SAE CC)

Direction of rotation (view on shaft end)

- R - clockwise
- L - counter-clockwise

Modifications

Mounting w/connection variables

4 bolts SAE flange (J518)

P = 1-1/2" S = 3"

	UNC	METRIC
VT7E		M0
VT7ES	00	M0

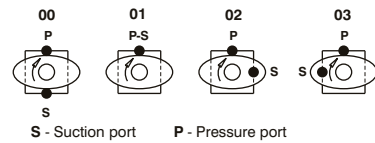
Seal class

- 1 - S1 (for mineral oil)
- 4 - S4 (for fire resistant fluids)
- 5 - S5 (for mineral oil and fire resistant fluids)

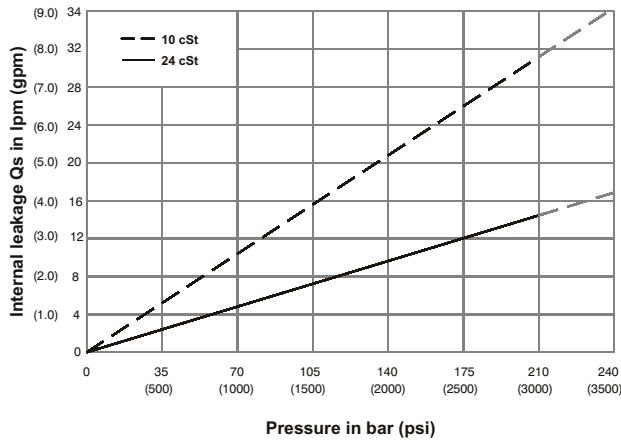
Design letter

Porting combination

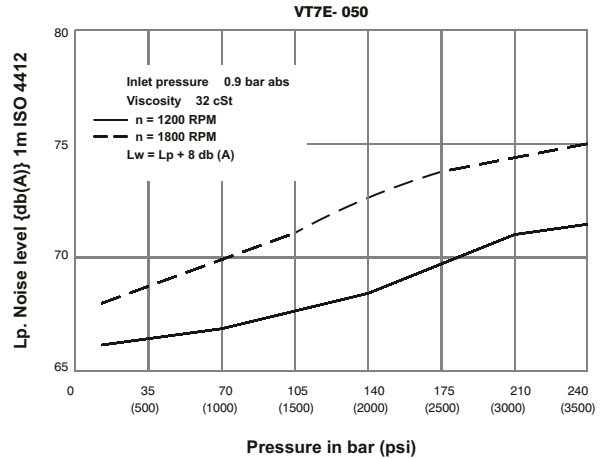
00 - standard



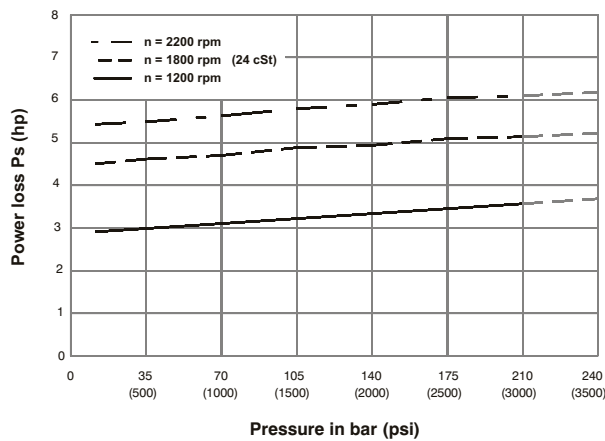
INTERNAL LEAKAGE (TYPICAL)



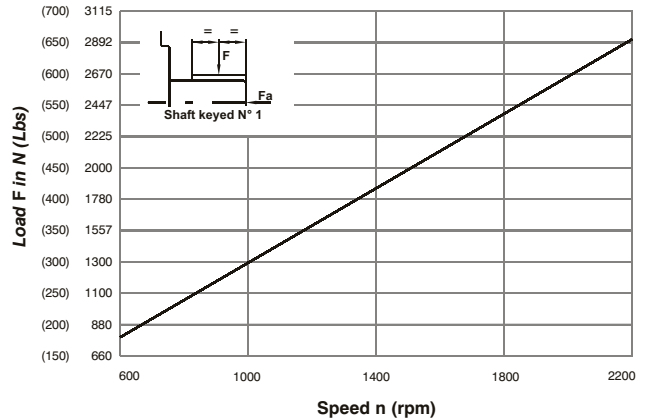
NOISE LEVEL (TYPICAL)



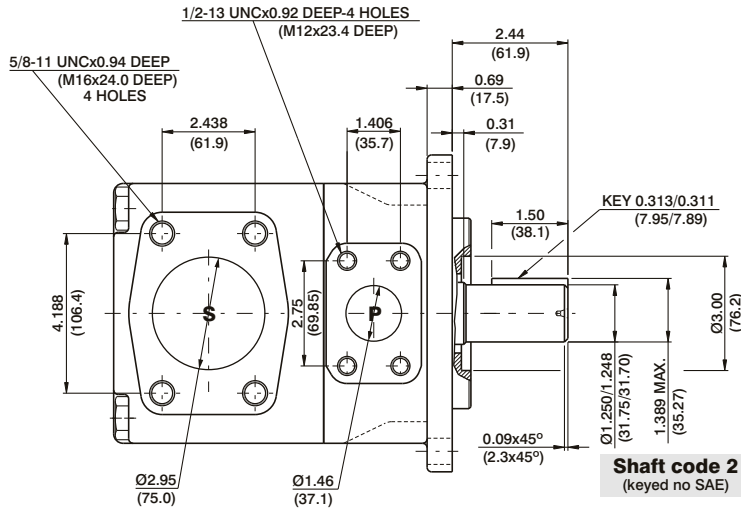
HYDROMECHANICAL POWER LOSS (TYPICAL)



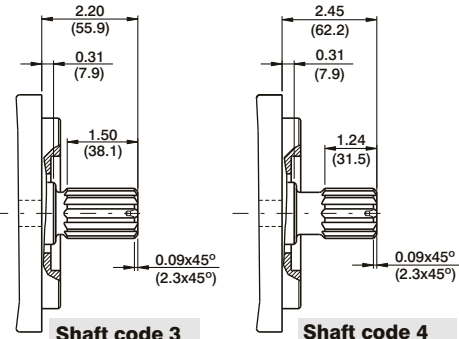
PERMISSIBLE RADIAL LOAD



Maximum axial load permissible $F_a = 2000 \text{ N}$ (449 Lbs)

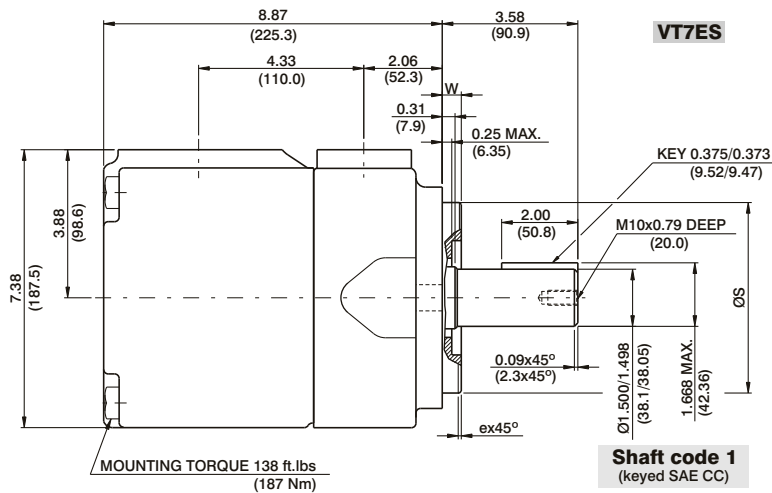


Shaft code 2
(keyed no SAE)



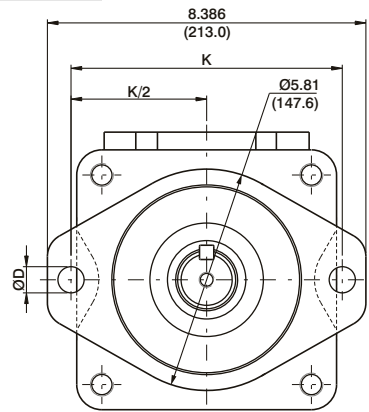
Shaft code 3
SAE C splined shaft
Class 1-J498b
12/24 dp. 14 teeth
30° pressure angle
flat root side fit

Shaft code 4
SAE CC splined shaft
Class 1-J498b
16/32 dp. 17 teeth
30° pressure angle
flat root side fit



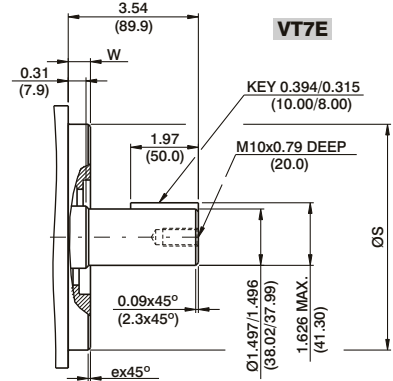
Shaft code 1
(keyed SAE CC)

MOUNTING TORQUE 138 ft.lbs
(187 Nm)



Shaft torque limits in ³ /rev x psi (ml/rev x bar)	
Shaft	Vp x p max.
1	48273 (54555)
2	30638 (34590)
3	54207 (61200)
4	54207 (61200)
5	48273 (54555)

Series	ØS		ex45°	W	K	ØD
	MAX.	Min.				
VT7E	4.921 (124.99)	4.919 (124.94)	0.079 (2.0)	0.374 (9.49)	7.087 (180.0)	0.709 (18.0)
VT7ES	5.00 (127.00)	4.998 (126.94)	0.051 (1.3)	0.50 (12.7)	7.126 (181.0)	0.689 (17.5)



Shaft code 5
(Keyed ISO R775 - G38M)

OPERATING CHARACTERISTICS - TYPICAL (24 cST)

Pressure port	Series	Volumetric Displacement Vp		Flow q & n = 1800 rpm						Input power p & n = 1800 rpm					
		in ³ /rev	cm ³ /rev	p = 0 bar (0 psi)		p = 140 bar (2000 psi)		p = 240 bar (3500 psi)		p = 7 bar (100 psi)		p = 140 bar (2000 psi)		p = 240 bar (3500 psi)	
				gpm	lpm	gpm	lpm	gpm	lpm	hp	kw	hp	kw	hp	kw
VT7E VT7ES	042	8.07	132.2	62.92	237.8	60.37	228.2	58.52	221.2	8.09	6.03	78.44	58.49	133.80	99.77
	045	8.70	142.5	67.72	255.9	65.17	246.3	63.32	239.3	8.37	6.24	84.04	62.66	143.60	107.08
	050	9.67	158.5	75.38	284.9	72.83	275.3	70.98	268.3	8.82	6.58	92.97	69.32	159.24	118.75
	052	10.00	163.8	78.37	296.2	75.82	286.6	73.97	279.6	8.99	6.70	96.47	71.94	165.36	123.31
	054	10.43	170.9	81.27	307.2	78.72	297.6	76.87	290.6	9.17	6.84	99.75	74.38	177.46	132.33
	057	11.18	183.2	87.12	329.3	84.57	319.7	82.72	312.7	9.51	7.09	106.57	79.47	189.84	141.56
	062	12.00	196.6	93.54	353.6	90.99	343.9	89.14	336.9	9.88	7.37	114.17	85.13	196.34	146.41
	066	13.00	213.0	101.44	383.4	98.89	373.8	97.04	366.8	10.34	7.71	123.38	92.0	212.46	158.43
	072	13.86	227.1	108.00	408.2	105.45	398.6	103.60	391.6	10.72	7.99	131.04	97.71	225.86	166.42
085 ¹⁾	16.40	268.7	127.79	483.0	126.13	476.7	--	--	11.88	8.85	101.66	75.80	--	--	

1) 085 = 90 bar (1300 psi) max.int. & 085 = 2000 rpm max.

* special 3 1/2 (3.5 dia) suction also available - Please contact VELJAN