

Series **VT6D** * * * - **B45** - **1** **R** **00** - **C** **1** *

N - Shaft seal installed reverse
Q - Special mounting cap with ear orientation of 20° from standard
M = Mobile 1 shaft seal
P = Mobile 2 shaft seal
Y - Metric port connection (not for code 'Q')
 Omit for UNC

Cam ring
 Volumetric displacement cm³/rev (in³/rev)

*B14/R14 = 47.6 (2.90)	B35/R35 = 110.0 (6.77)
B17/R17 = 58.2 (3.55)	B38/R38 = 120.3 (7.34)
B20/R20 = 66.0 (4.03)	B42/R42 = 136.0 (8.30)
B24/R24 = 79.5 (4.85)	B45/R45 = 145.7 (8.89)
B28/R28 = 89.7 (5.47)	B50/R50 = 158.0 (9.64)
B31/R31 = 98.3 (6.00)	B61/R61 = 190.5 (11.62)

*'B' - for Mobile 'R' - for Mobile - spring assisted

Type of shaft

M version
 1 - keyed (SAE C)
 2 - keyed (no SAE)
 3 - splined (SAE C)
 4 - splined (no SAE)
 T - splined (SAE J718c)

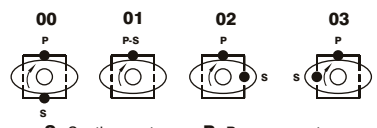
P version
 3 - splined (no SAE)
 2 - keyed (no SAE)

Modifications

Seal class
 1 - S1 (for mineral oil)
 4 - S4 (for fire resistant fluids)
 5 - S5 (for mineral oil and fire resistant fluids)

Design letter

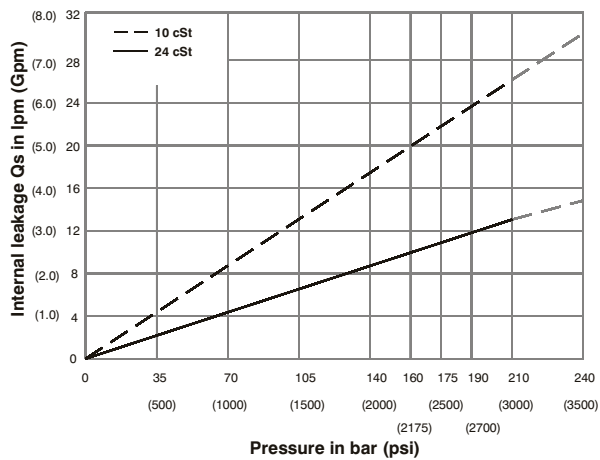
Porting combination
 00 - standard



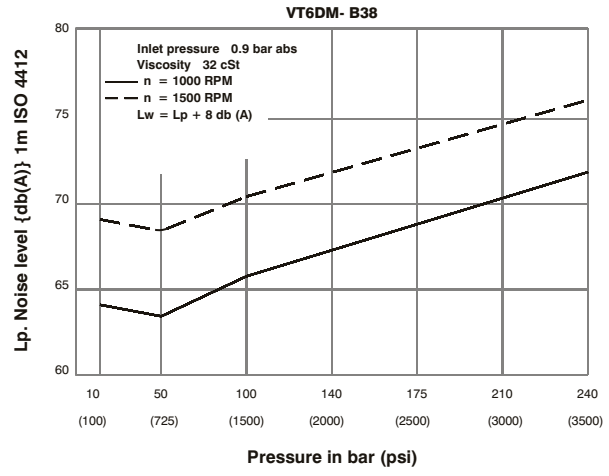
S - Suction port **P** - Pressure port

Direction of rotation (view on shaft end)
 R - clockwise
 L - counter-clockwise

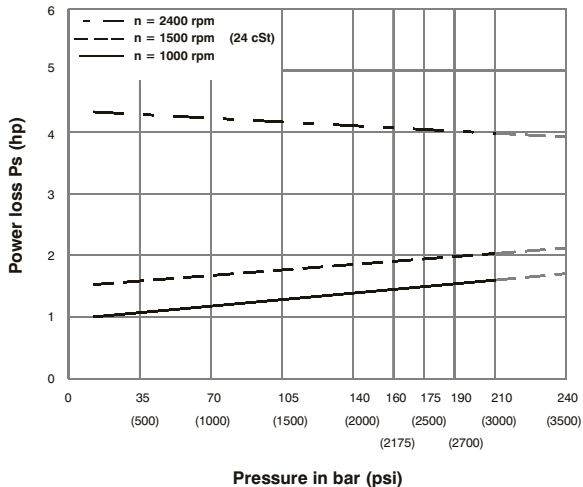
INTERNAL LEAKAGE (TYPICAL)



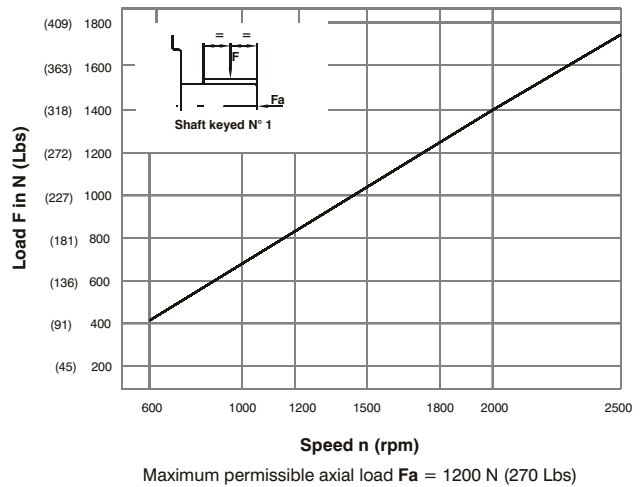
NOISE LEVEL (TYPICAL)



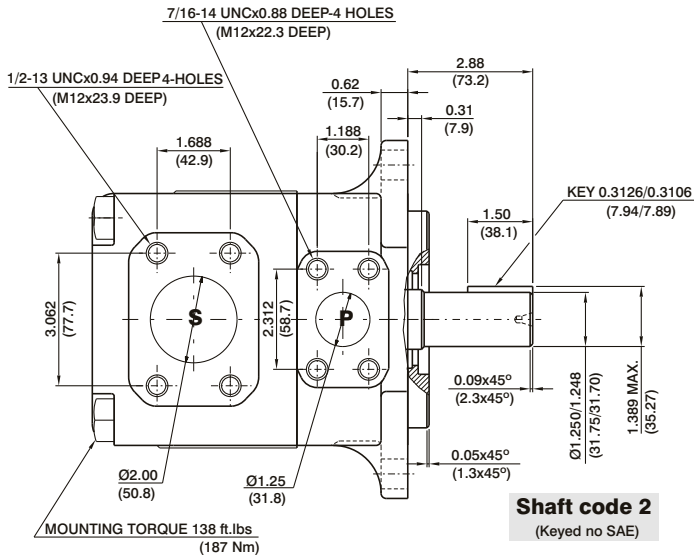
HYDROMECHANICAL POWER LOSS (TYPICAL)



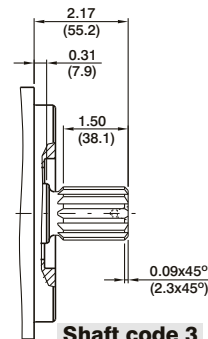
PERMISSIBLE RADIAL LOAD



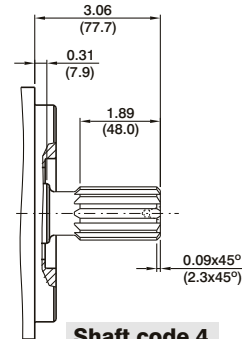
SP



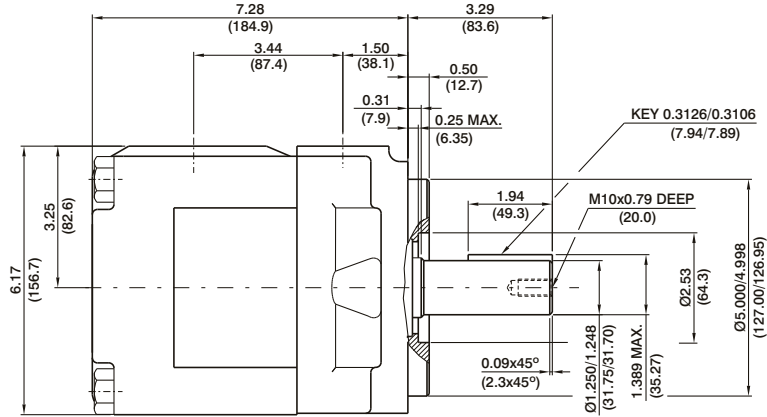
Shaft code 2
(Keyed no SAE)



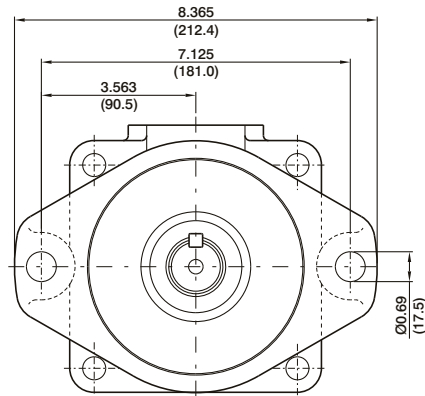
Shaft code 3
SAE C splined shaft
Class 1-J498b
12/24 dp. 14 teeth
30° pressure angle
flat root side fit



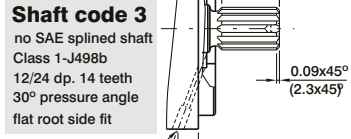
Shaft code 4
no SAE splined shaft
Class 1-J498b
12/24 dp. 14 teeth
30° pressure angle
flat root side fit



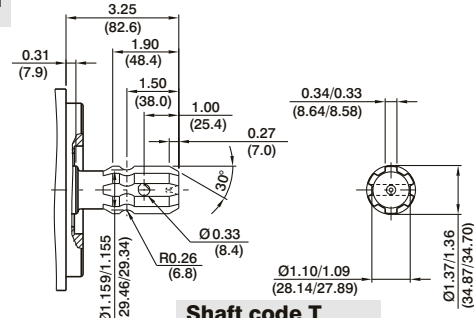
Shaft code 1
(Keyed SAE C)



Shaft torque limits in ³ /rev x psi (ml/rev x bar)	
Shaft	Vp x p max.
1	38299 (43283)
2	30638 (34590)
3	54207 (61200)
4	54207 (61200)



Shaft code 3
no SAE splined shaft
Class 1-J498b
12/24 dp. 14 teeth
30° pressure angle
flat root side fit



Shaft code T
SAE J718C
540 rpm power take-off
For Farm Tractor application

Drain hole between double shaft seals
Ø0.40 (10.3)

VT6DP

OPERATING CHARACTERISTICS - TYPICAL (24 cST)

Pressure port	Series	Volumetric Displacement Vp		Flow q & n = 1500 rpm						Input power p & n = 1500 rpm					
		p = 0 bar (0 psi)		p = 140 bar (2000 psi)		p = 240 bar (3500 psi)		p = 7 bar (100 psi)		p = 140 bar (2000 psi)		p = 240 bar (3500 psi)			
		in ³ /rev	cm ³ /rev	gpm	lpm	gpm	lpm	gpm	lpm	hp	kw	hp	kw		
VT6DM VT6DP	B14	2.90	47.6	18.88	71.4	16.42	62.1	14.78	55.9	3.08	2.3	24.81	18.5	41.03	30.6
	B17	3.55	58.2	23.1	87.3	20.6	78.0	18.99	71.8	3.35	2.5	29.77	22.2	49.62	37.0
	B20	4.00	66.0	26.19	99.0	23.73	89.7	22.08	83.5	3.75	2.8	33.39	24.9	55.92	41.7
	B24	4.80	79.5	31.56	119.3	29.10	110.0	27.46	103.8	4.02	3.0	39.69	29.6	66.78	49.8
	B28	5.50	89.7	35.58	134.5	33.12	125.2	31.48	119.0	4.29	3.2	44.52	33.2	74.96	55.9
	B31	6.00	98.3	39.00	147.5	36.53	138.1	34.89	131.9	4.42	3.3	48.54	36.2	81.80	61.0
	B35	6.80	111.0	44.04	166.5	41.58	157.2	39.94	151.0	4.69	3.5	54.58	40.7	92.13	68.7
	B38	7.30	120.3	47.72	180.4	45.26	171.1	43.62	164.9	4.96	3.7	58.87	43.9	99.64	74.3
	B42 ¹⁾	8.30	136.0	53.96	204.0	51.50	194.7	49.86	188.5	5.36	4.0	66.25	49.4	112.24	83.7
	B45 ¹⁾	8.89	145.7	57.80	218.5	55.34	209.2	53.70	203.0	5.50	4.1	70.81	52.8	120.02	89.5
	B50 ^{1,2)}	9.64	158.0	62.69	237.0	60.23	227.7	59.25	224.0	5.90	4.4	76.44	57.0	113.98	85.0
	B61 ^{1,3)}	11.62	190.5	76.25	285.7	73.54	278.0	--	--	6.16	4.6	81.26	60.6	--	--

1) B42-B45-B50-B61 = 2200 RPM max. 2) B50 = 210 bar (3000 psi) max. int. 3) 061 = 120 bar (1740 psi) max. int. 061 = 80 bar (1160 psi) cont.