



CONTENTS

	PAGE NO
1. MULTI-STATION MANIFOLD BLOCKS CETOP 3	1-2
2. MULTI-STATION MANIFOLD BLOCKS CETOP 5	3-4
3. NASCO MANIFOLD BLOCK CETOP 3	5-6
4. MANIFOLD WITH RELIEF VALVE CARTRIDGE CETOP 3	7-8
5. GS MANIFOLD BLOCK CETOP 3	9-10
6. DOWTY PUMP FLANGE THREADED TYPE	11
7. BLANKING PLATES CETOP 3 & CETOP 5	12

PLOT # 151, GIDC, SIDHPUR - 384151 – GUJARAT.
Email : vipsidhpur@gmail.com
website : www.varietgroup.in

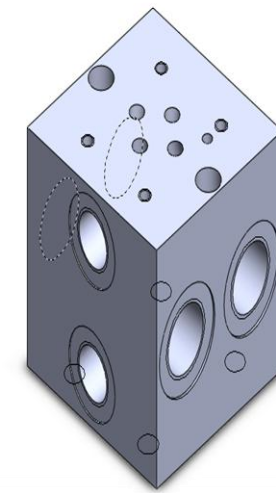
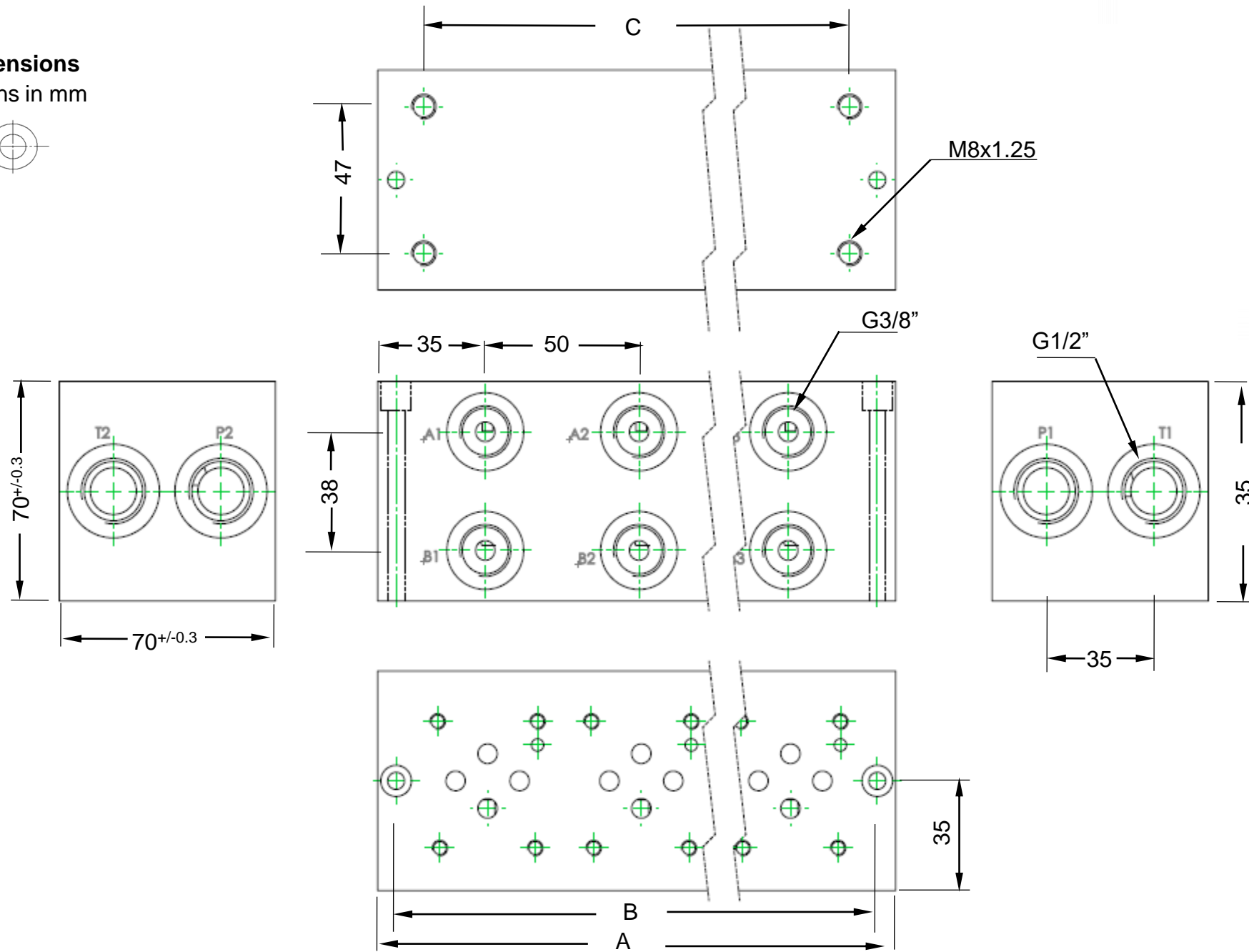
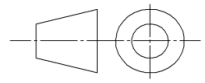


VARIETY INDUSTRIAL PRODUCTS

PLOT # 151, GIDC, SIDHPUR – 384151– GUJARAT. EMAIL : vipsidhpur@gmail.com website : www.varietgroup.in

CETOP 3 MULTI-STATION MANIFOLD BLOCK

Unit Dimensions
Dimensions in mm



VIP-MB03/01-AL

STATIONS	1	2	3	4	5	6
MODEL	VIP-MB03/01-AL	VIP-MB03/02-AL	VIP-MB03/03-AL	VIP-MB03/04-AL	VIP-MB03/05-AL	VIP-MB03/06-AL
A	70	120	170	220	270	320
B	58	108	158	208	258	308
C	40	90	140	190	240	290

MULTI-STATION MANIFOLD BLOCK

TECHNICAL SPECIFICATIONS:

- **MOUNTING** : FOR 4 PORT VALVES IN CETOP3
- **INTERFACE STD** : ISO4401-03-02
- **MATERIAL** : ALUMINIUM 6061 T6 / STEEL
- **OPERATING PRESSURE** : 315 BAR MAX
- **FLOW** : UPTO 20 LPM.

ORDERING INFORMATION:

VIP – MB 03 / 01 - AL

MANIFOLD BLOCK
HAVING INTERFACE
AS PER ISO4401-03-02

CETOP 03	03
CETOP 05	05

MATERIAL	ALUMINIUM
	STEEL

NO.OF STATIONS					
01	02	03	04	05	06



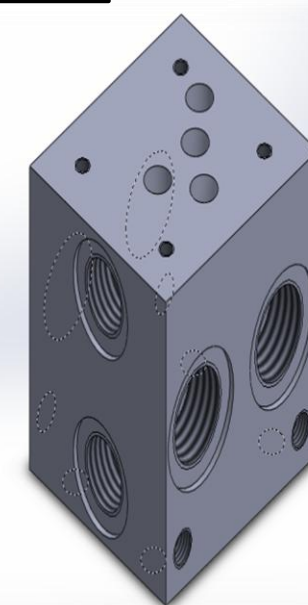
VARIETY INDUSTRIAL PRODUCTS

PLOT # 151, GIDC, SIDHPUR - 384151 – GUJARAT. EMAIL : vipsidhpur@gmail.com website : www.varietygroup.in

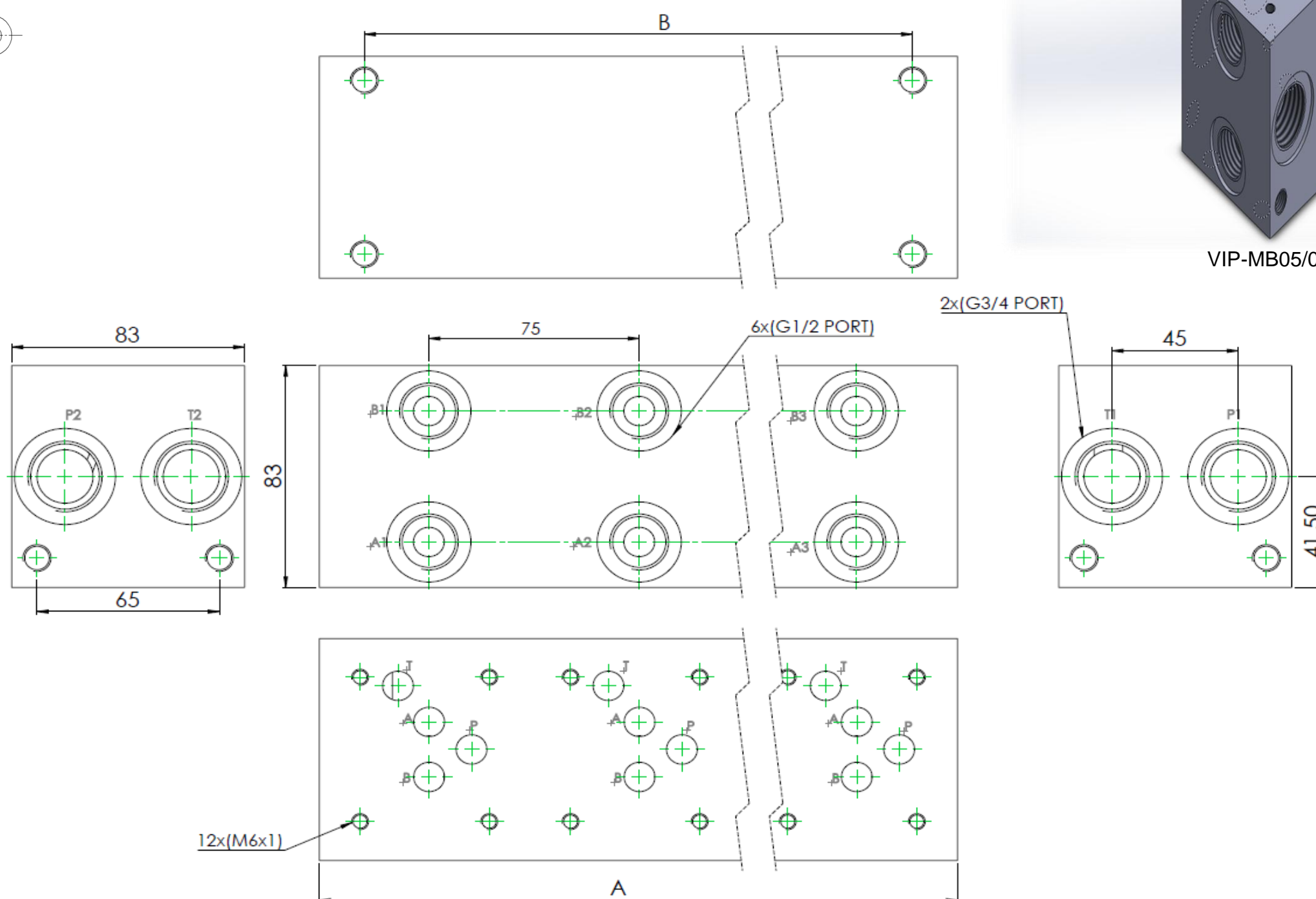
CETOP 5 MULTI-STATION MANIFOLD BLOCK

Unit Dimensions

Dimensions in mm



VIP-MB05/01-AL



STATIONS	1	2	3	4	5	6
MODEL	VIP-MB05/01-AL	VIP-MB05/02-AL	VIP-MB05/03-AL	VIP-MB05/04-AL	VIP-MB05/05-AL	VIP-MB05/06-AL
A	75	150	225	300	375	450
B	43	118	193	268	343	418

MULTI-STATION MANIFOLD BLOCK

TECHNICAL SPECIFICATIONS:

- **MOUNTING** : FOR 4 PORT VALVES IN CETOP5
- **INTERFACE STD** : ISO4401-03-02
- **MATERIAL** : ALUMINIUM 6061 T6 / STEEL
- **OPERATING PRESSURE** : 315 BAR MAX
- **FLOW** : UPTO 60 LPM.

ORDERING INFORMATION:

VIP – MB 05 / 01 - AL

MANIFOLD BLOCK
HAVING INTERFACE
AS PER ISO4401-03-02

CETOP 03	03
CETOP 05	05

MATERIAL	ALUMINIUM
	MILD STEEL

NO.OF STATIONS					
01	02	03	04	05	06

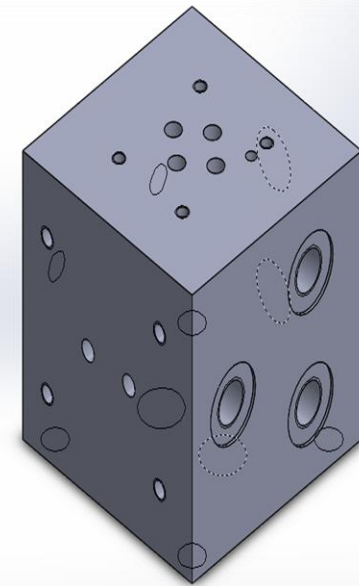
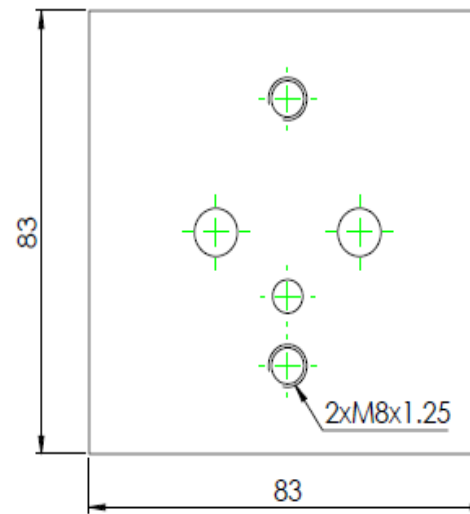
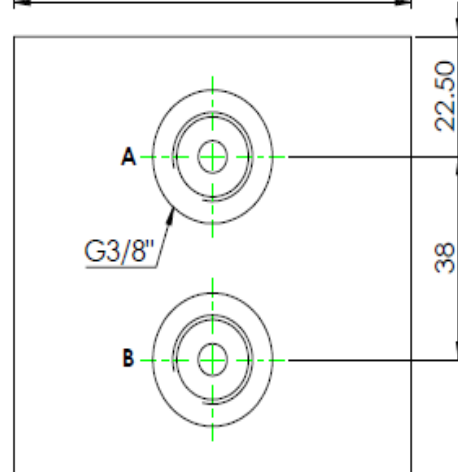
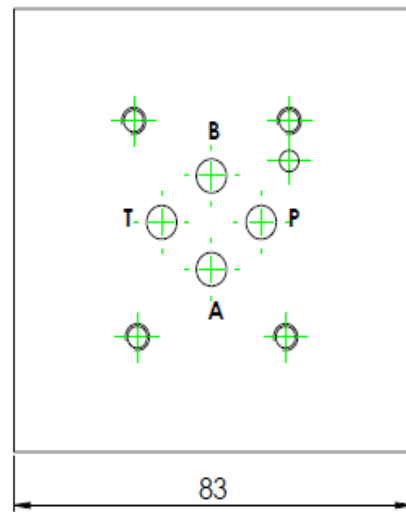
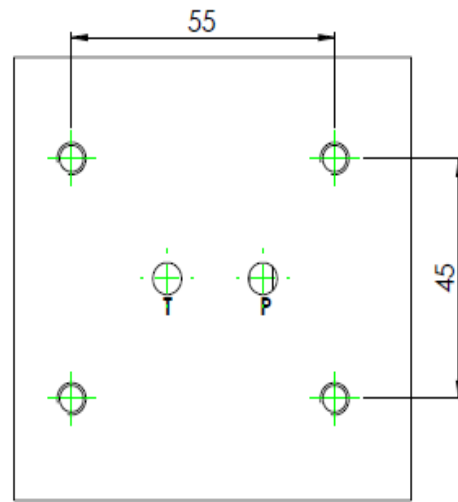
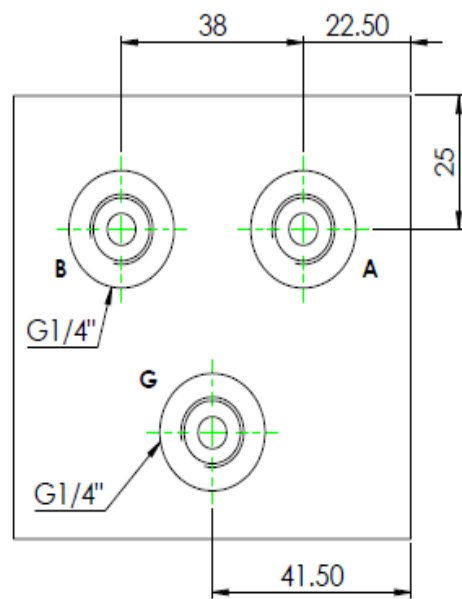
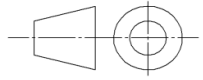


VARIETY INDUSTRIAL PRODUCTS

PLOT # 151, GIDC, SIDHPUR - 384151 – GUJARAT. EMAIL : vipsidhpur@gmail.com website : www.varietgroup.in

CETOP3 NASCO MANIFOLD BLOCK

Unit Dimensions
Dimensions in mm



VIP-MB03NASCO-AL/MS

Provision for CETOP3 DC.valve mounting along with sub plate type relief valve, Gauge port & return line filter

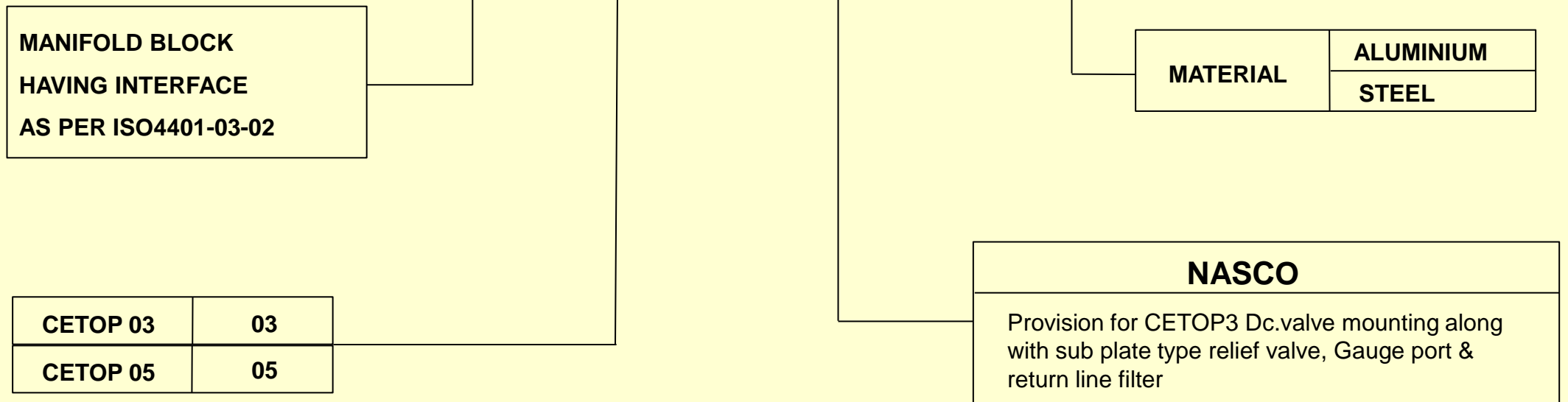
CETOP3 NASCO MANIFOLD BLOCK

TECHNICAL SPECIFICATIONS:

- **MOUNTING** : FOR 4 PORT VALVES IN CETOP3
- **INTERFACE STD** : ISO4401-03-02
- **MATERIAL** : ALUMINIUM 6061 T6 / STEEL
- **OPERATING PRESSURE** : 315 BAR MAX
- **FLOW** : UPTO 20 LPM.

ORDERING INFORMATION:

VIP – MB 03 NASCO – AL/MS



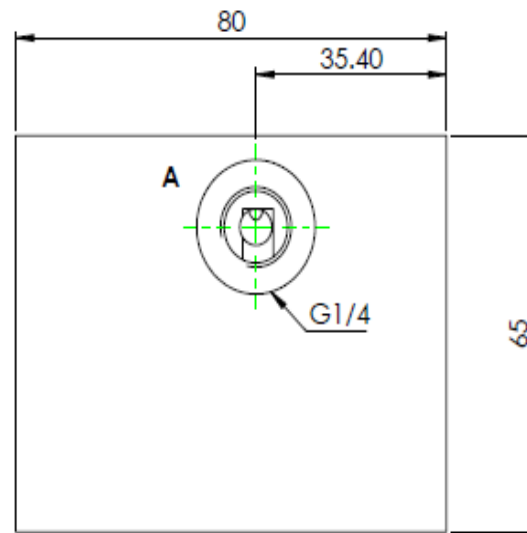
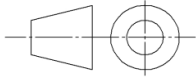


VARIETY INDUSTRIAL PRODUCTS

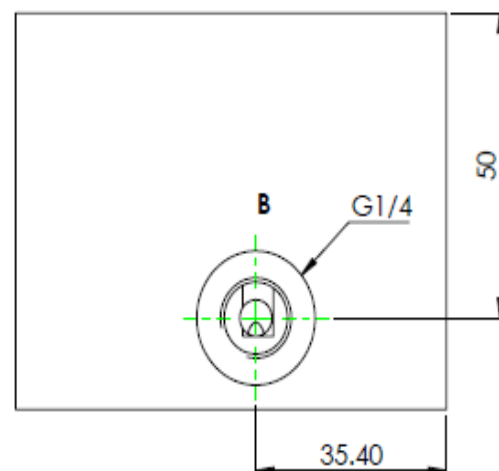
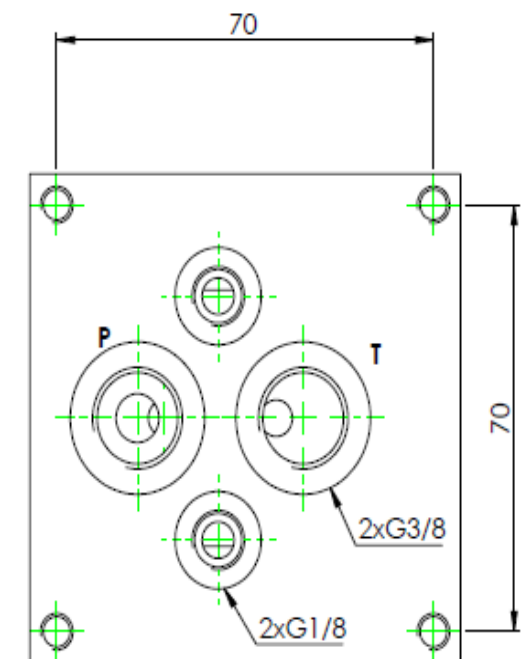
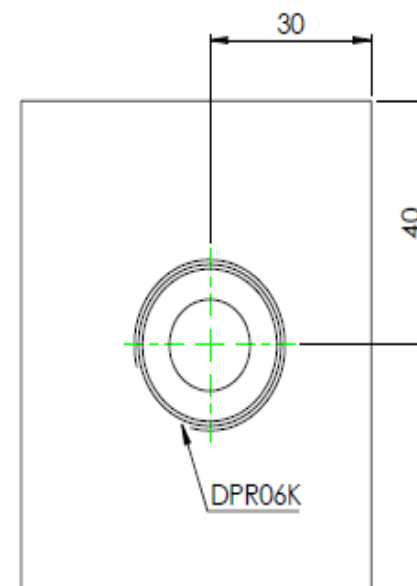
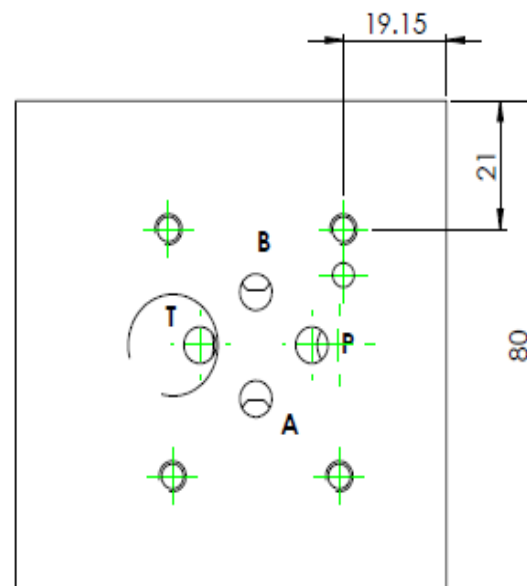
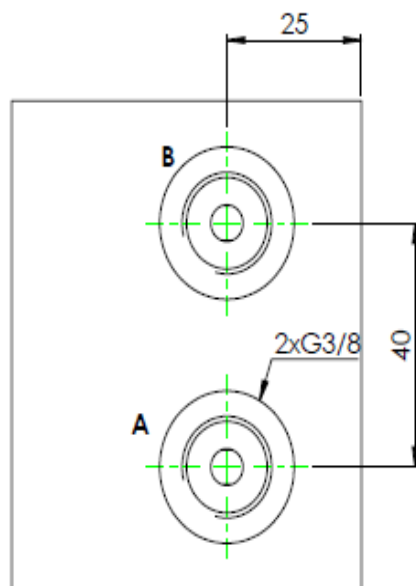
PLOT # 151, GIDC, SIDHPUR - 384151 – GUJARAT. EMAIL : vipsidhpur@gmail.com website : www.varietygroup.in

CETOP 3 RELIEF VALVE CARTRIDGE MANIFOLD BLOCK

Unit Dimensions
Dimensions in mm



VIP-MBR03 - AL/MS

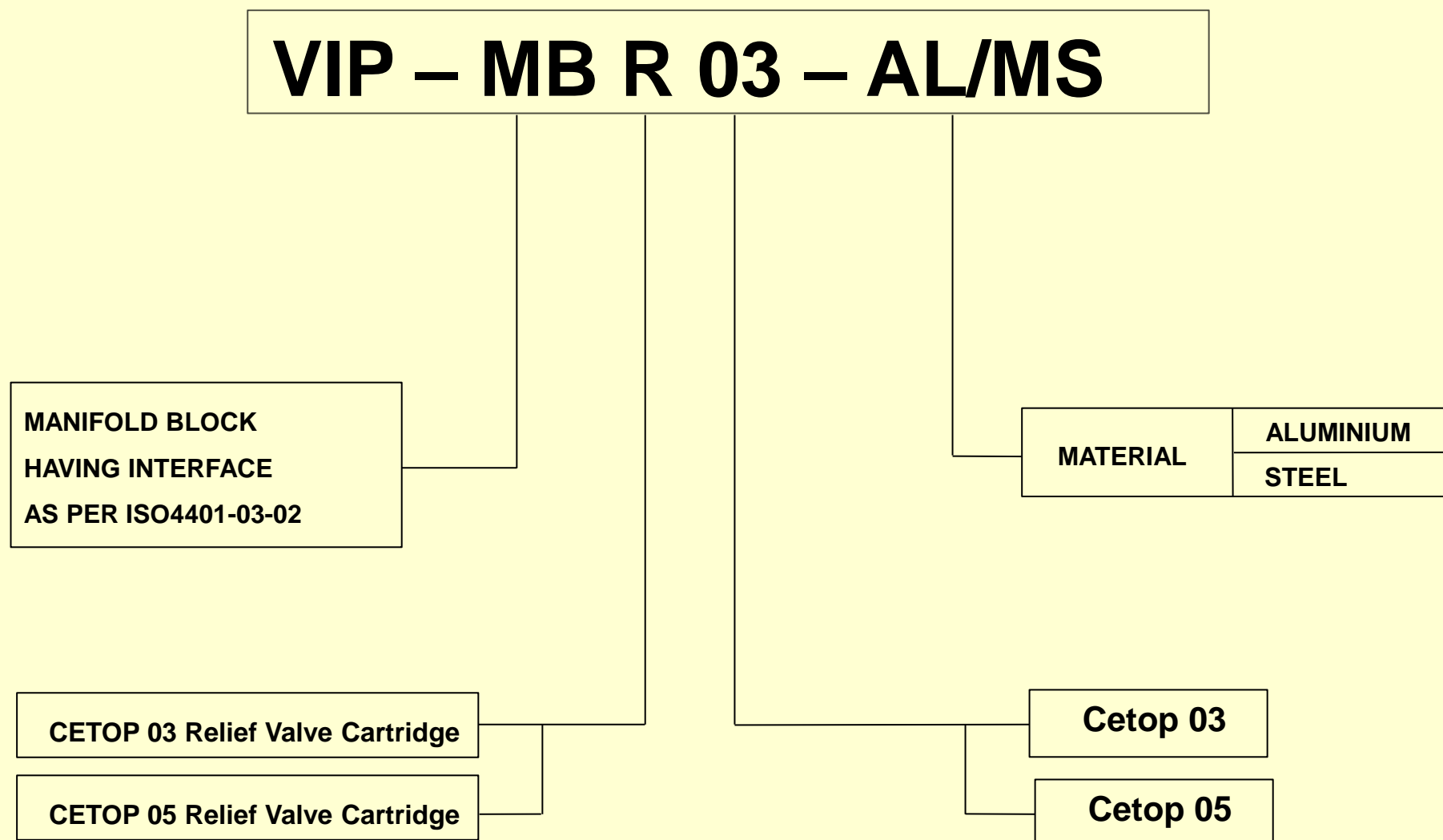


CETOP 3 RELIEF VALVE CARTRIDGE MANIFOLD BLOCK

TECHNICAL SPECIFICATIONS:

- **MOUNTING** : FOR 4 PORT VALVES IN CETOP3
- **MATERIAL** : ALUMINIUM 6061 T6 / STEEL
- **INTERFACE STD** : ISO4401-03-02
- **OPERATING PRESSURE** : 315 BAR MAX
- **FLOW** : UPTO 20 LPM.

ORDERING INFORMATION:





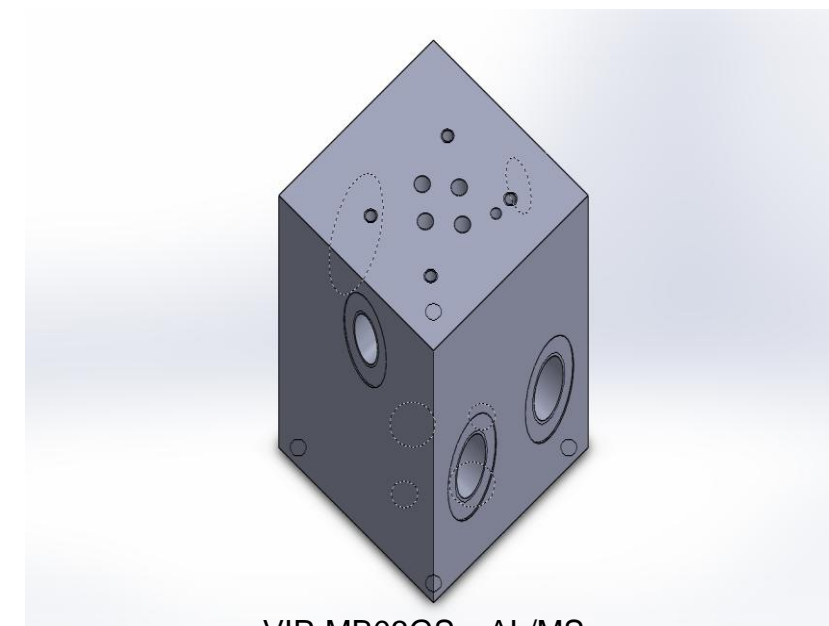
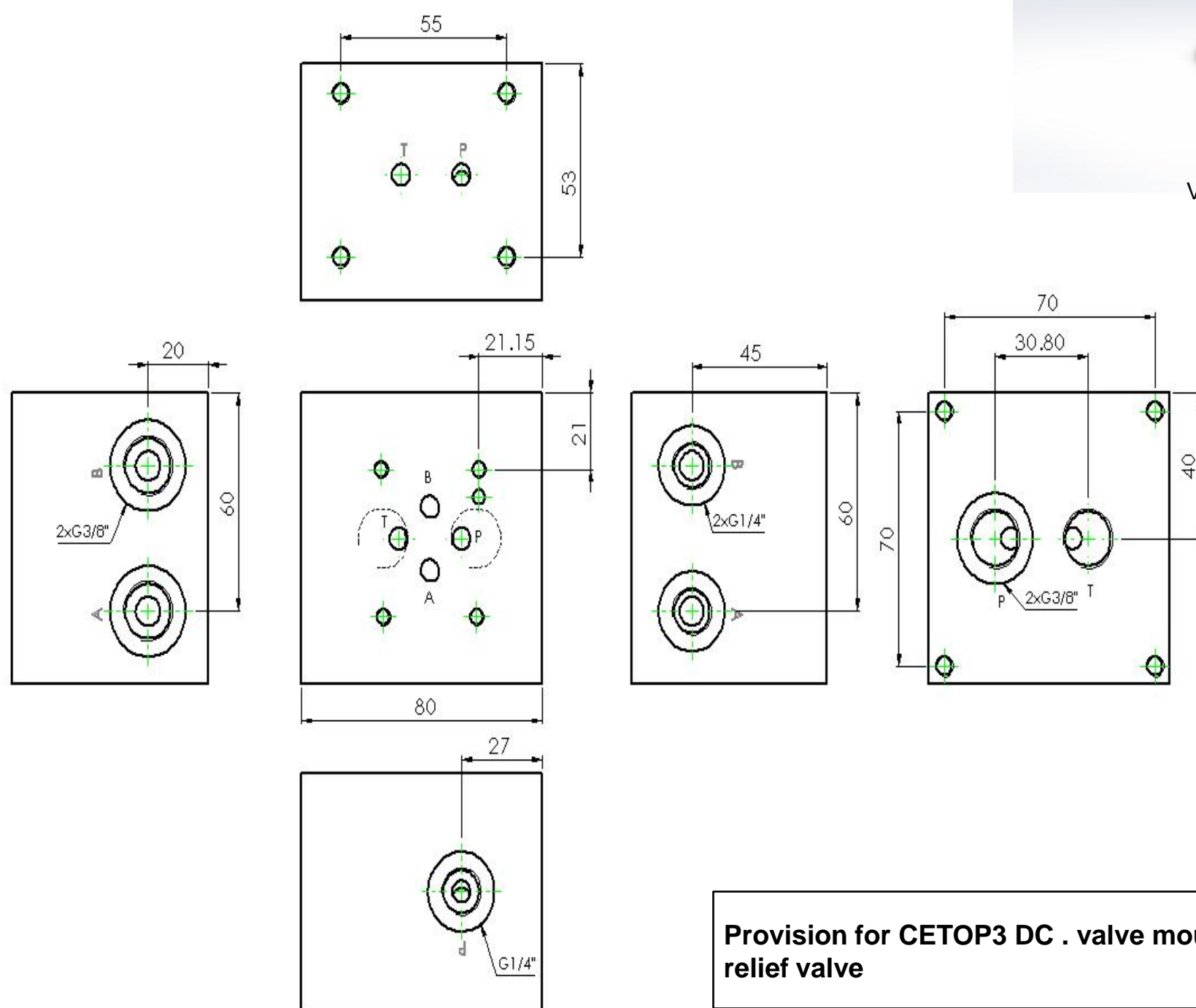
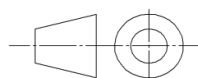
VARIETY INDUSTRIAL PRODUCTS

PLOT # 151, GIDC, SIDHPUR - 384151 – GUJARAT. EMAIL : vipsidhpur@gmail.com website : www.varietgroup.in

CETOP 3 GS MANIFOLD BLOCK

Unit Dimensions

Dimensions in mm



VIP-MB03GS – AL/MS

Provision for CETOP3 DC . valve mounting along with sub plate type relief valve

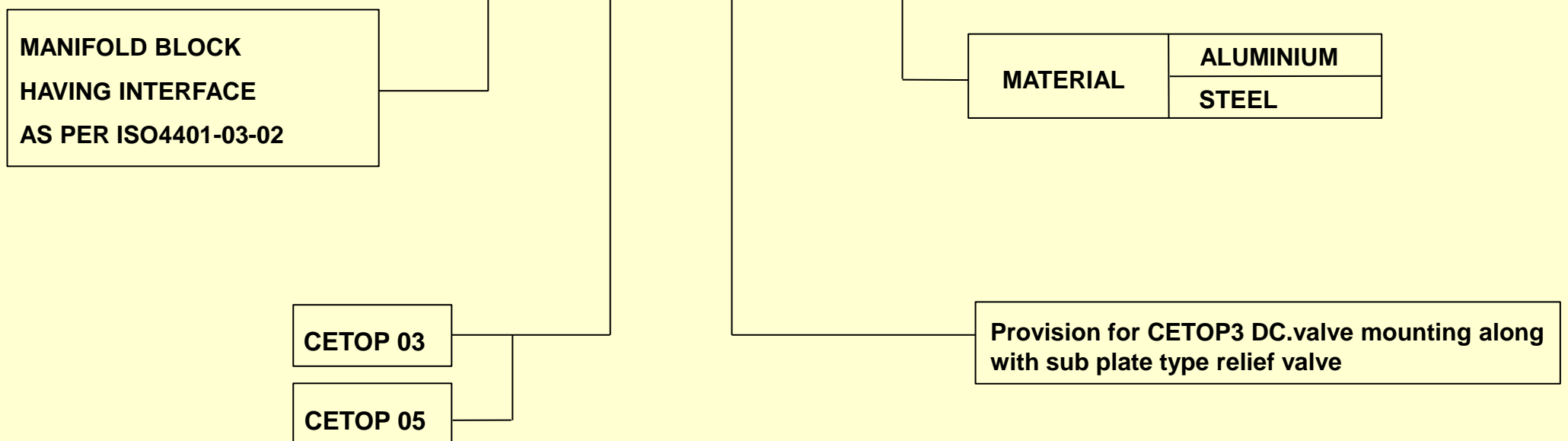
CETOP 3 GS MANIFOLD BLOCK

TECHNICAL SPECIFICATIONS:

- **MOUNTING** : FOR 4 PORT VALVES IN CETOP3
- **MATERIAL** : ALUMINIUM 6061 T6 / STEEL
- **INTERFACE STD** : ISO4401-03-02
- **OPERATING PRESSURE** : 315 BAR MAX
- **FLOW** : UPTO 20 LPM.

ORDERING INFORMATION:

VIP – MB 03GS– AL/MS



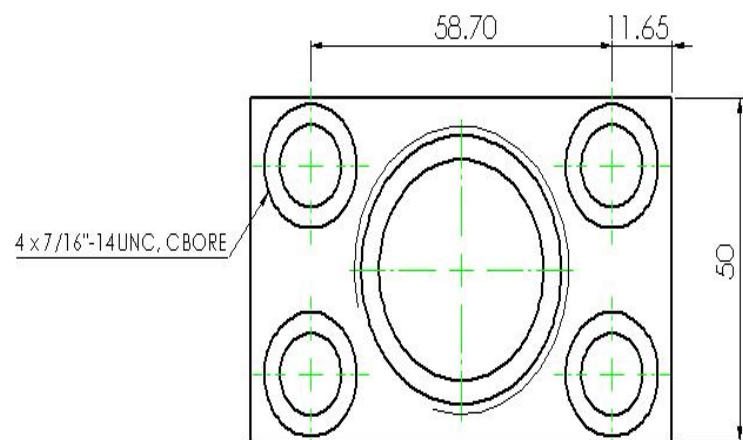
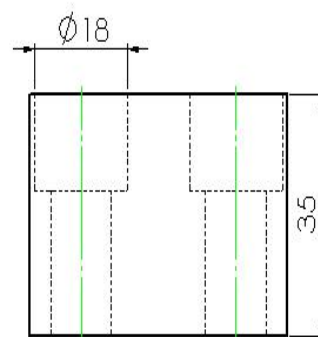
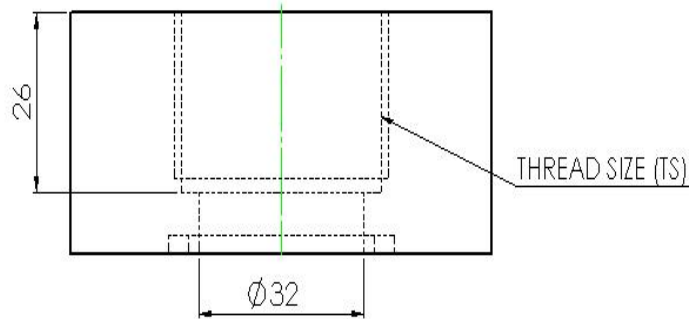
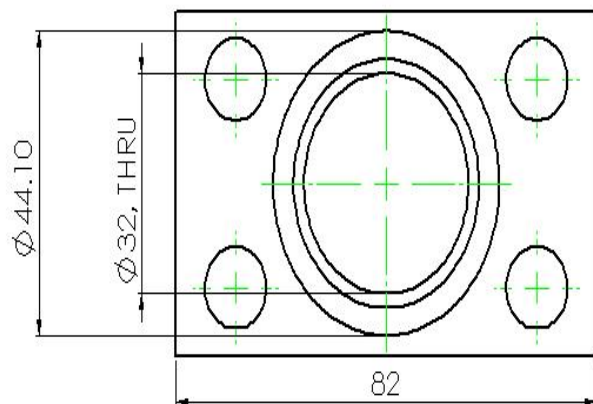
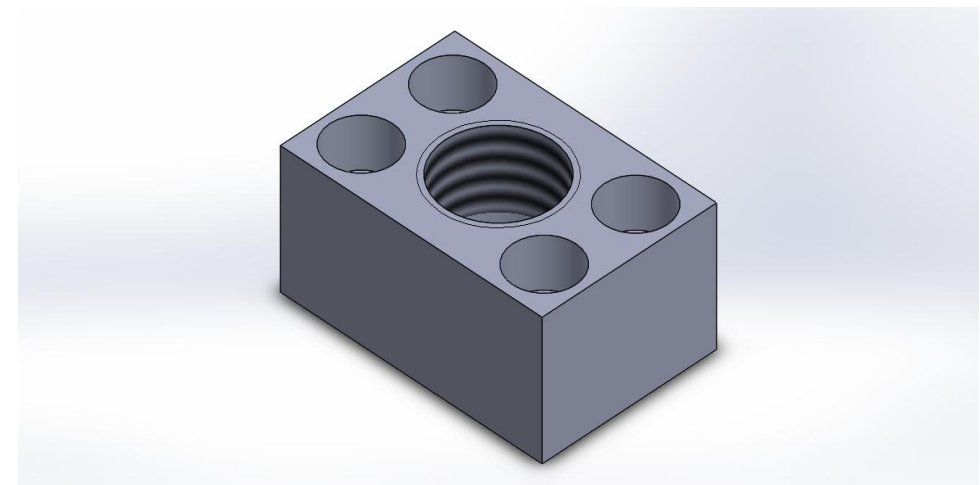
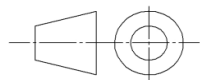


VARIETY INDUSTRIAL PRODUCTS

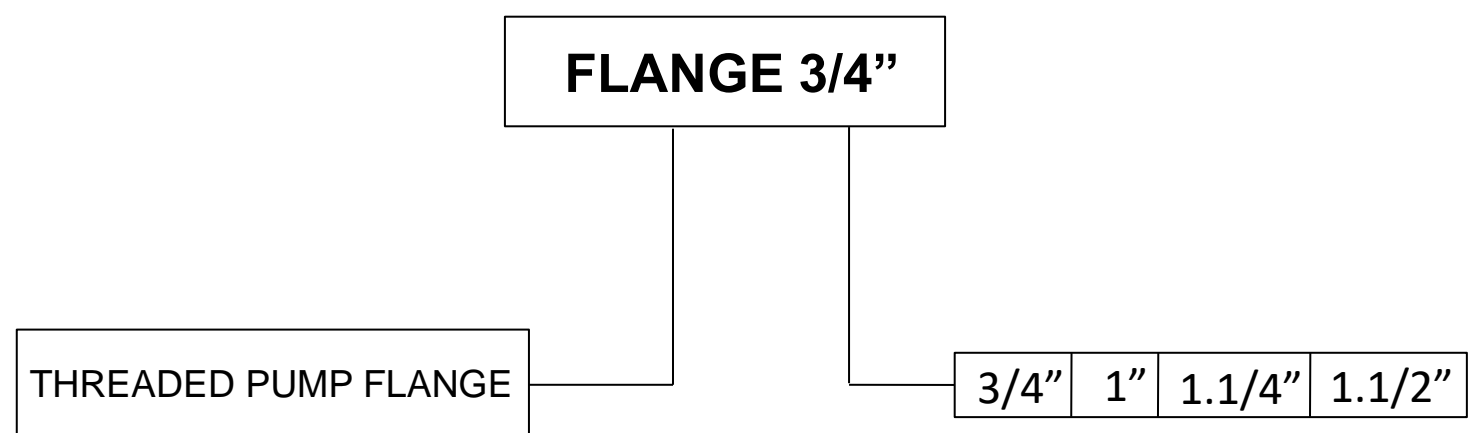
PLOT # 151, GIDC, SIDHPUR - 384151 – GUJARAT. EMAIL : vipsidhpur@gmail.com website : www.varietygroup.in

THREADED PUMP FLANGE

Unit Dimensions
Dimensions in mm



ORDERING INFORMATION:



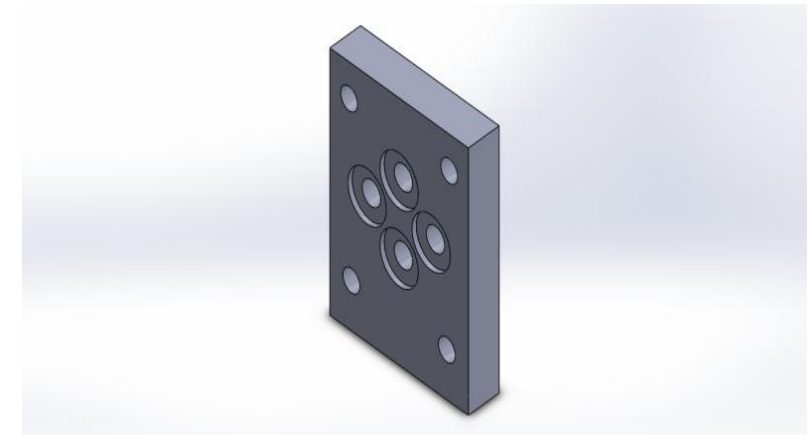
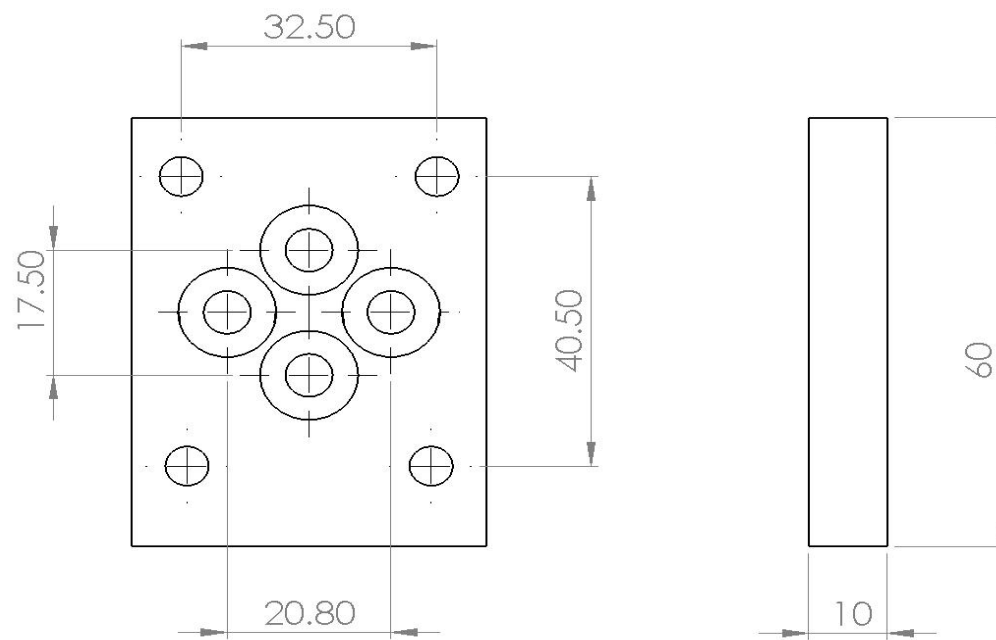
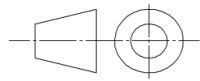


VARIETY INDUSTRIAL PRODUCTS

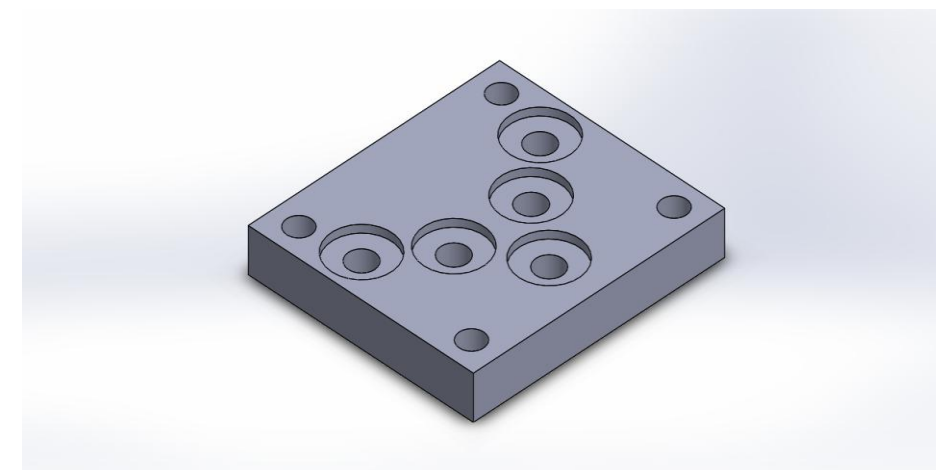
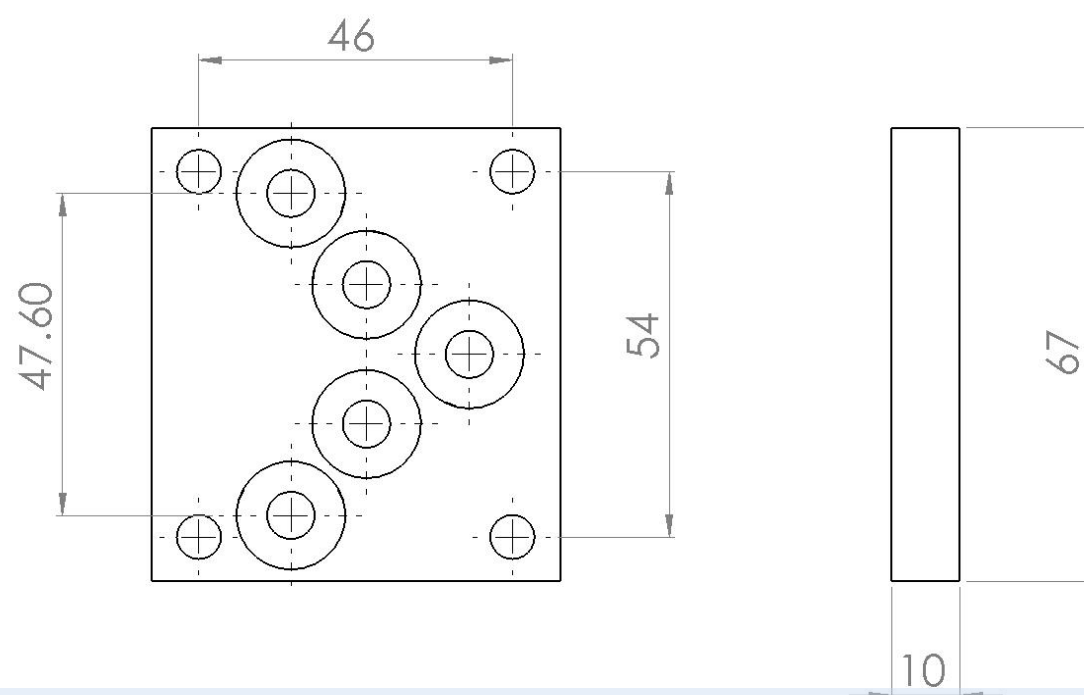
PLOT # 151, GIDC, SIDHPUR - 384151 – GUJARAT. EMAIL : vipsidhpur@gmail.com website : www.varietgroup.in

BLANKING PLATE CETOP 3 / CETOP 5

Unit Dimensions
Dimensions in mm



CETOP 3 BLANKING PLATE



CETOP 5 BLANKING PLATE