



A Polyhydon Group Company

PRESSURE CONTROL MODULE PCM 20-06 & PCM 20-10

ENGINEERING

1 of 4

Ref. No. D06793

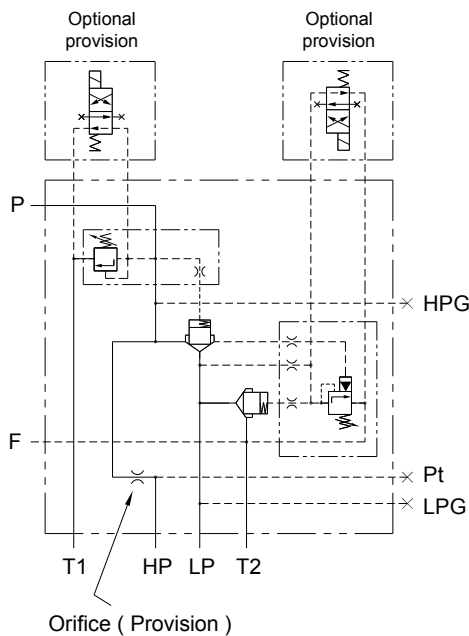
Release 04 / 2014

Description

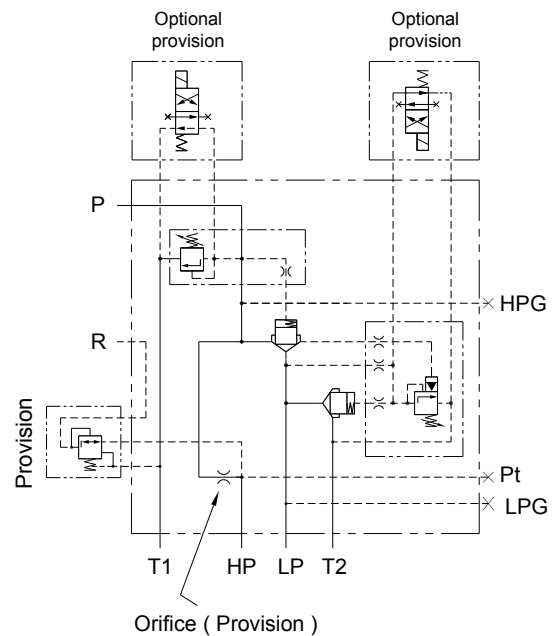
Designed to control Double pumps of Hi-Low system.
 Unloads low pressure pump when system pressure rises above the pressure set on Unloader valve.
 Relieves high pressure pump when system pressure reaches the value.
 Solenoid unloading facility available as an option.



Hydraulic symbol



PCM20/06 and PCM20/10 with filter port, relief valve tank line combining T1 and T2 port.



PCM20/06 and PCM20/10 with provision for mounting Pressure reducing valve DPM*06*A-01-*

Connection details :

- HP ---- High pressure pump connection.
- LP ---- Low pressure pump connection.
- P ---- Out-let connection.
- HPG ---- Gauge connection on high pressure pump line.
- LPG ---- Gauge connection on low pressure pump line.
- Pt ---- Pilot pressure connection (Optional).
- T1 ---- Tank connection of high pressure relief valve.
- T2 ---- Tank connection of low pressure unloading valve.
- F ---- Filter port connection (T1 & T2).
- R ---- Outlet connection (reduced pressure)

Polyhydon Pvt. Ltd.
 78-80, Machhe Industrial Estate,
 Machhe, Belgaum - 590 014. INDIA.

Phone : +91-(0)831-2411001
Fax : +91-(0)831-2411002
E-mail : polyhydon@gmail.com
Website : www.polyhydon.com



A Polyhydron Group Company

PRESSURE CONTROL MODULE PCM 20-06 & PCM 20-10

ENGINEERING

2 of 4

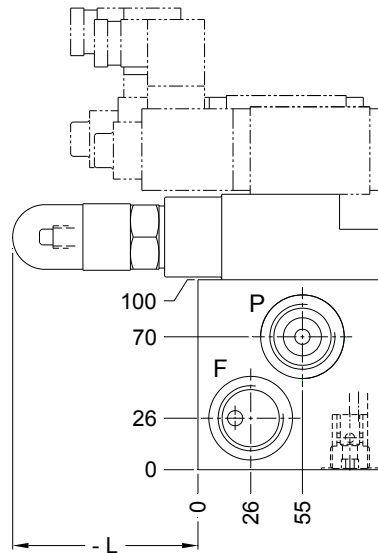
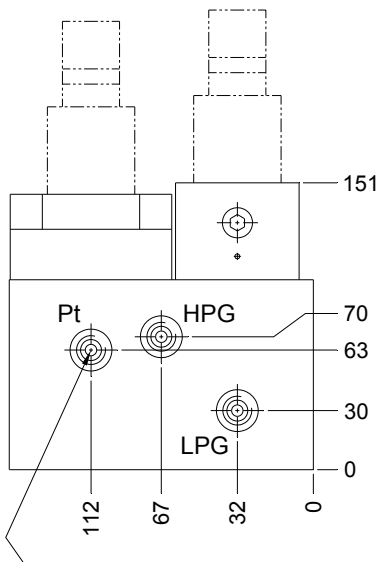
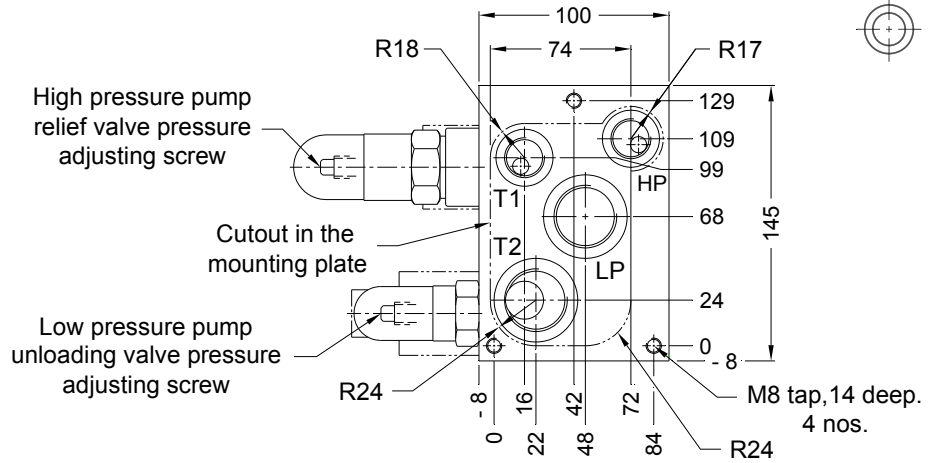
Ref. No. D06793

Unit dimensions

PCM 20/06 and PCM 20/10 with provision for filter port.

Dimensions in mm.

Port details	
HP	-- G1/2
LP	-- G1
P	-- G1
Pt	-- G1/4
HPG	-- G1/4
LPG	-- G1/4
T1	-- G1/2
T2	-- G1
F	-- G1



Model	- L
PCM20/06	83
PCM20/10	98

Open this plug to insert orifice in high pr. line (not fixed in the module unless specified) orifice size 1/8" NPT

Solenoid valve for unloading low pr. pump by venting. (Provision)

Solenoid valve for unloading high pr. pump by venting. (Provision)

Note : Optional and Solenoid to be ordered separately.



A Polyhydron Group Company

PRESSURE CONTROL MODULE PCM 20-06 & PCM 20-10

ENGINEERING

4 of 4

Ref. No. D06793

Technical specifications

Construction PCM 20/06 and 20/10	Direct acting poppet type high pr. relief valve. Two stage poppet type low pressure unloading valve.									
Mounting	Threaded body (Factory standard)									
Mounting position	Optional									
Flow direction	As per hydraulic symbol.									
Operating pressure	For low pressure pump 50 and 100 bar. For high pressure pump port 100, 200, 315.									
Hydraulic medium	Mineral oil.									
Viscosity range	10 cSt to 380 cSt.									
Fluid temperature range	-20°C to +70°C.									
Fluid cleanliness requirement	ISO 4406 20/18/15 or better.									
Flow handling capacity	<table border="1"> <thead> <tr> <th>Model</th> <th>High pressure max.</th> <th>Low pressure max.</th> </tr> </thead> <tbody> <tr> <td>PCM 20-06</td> <td>25 l/min</td> <td>160 l/min</td> </tr> <tr> <td>PCM 20-10</td> <td>60 l/min</td> <td>160 l/min</td> </tr> </tbody> </table>	Model	High pressure max.	Low pressure max.	PCM 20-06	25 l/min	160 l/min	PCM 20-10	60 l/min	160 l/min
Model	High pressure max.	Low pressure max.								
PCM 20-06	25 l/min	160 l/min								
PCM 20-10	60 l/min	160 l/min								
Mass	7.5 kg. APPROX.									

Ordering code

