

Shut off Valve, In-line flange mounting, Model : SLBF-J-25-2.0



the right connection

Ref. No : H03322, Release Oct 2006 (Dimensions in mm)

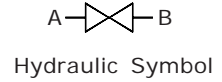
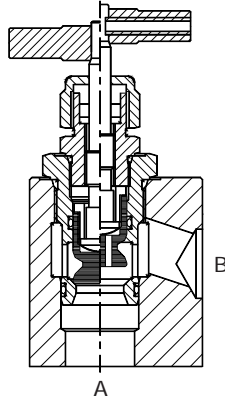
Description

These are seat type, rising spindle valves with balanced sealed poppet construction for easy closure or opening of the valve.

Inlet and outlet ports are provided with provision for mounting of flanges as per ISO 6162 bolt pattern.



Section



Unit Dimensions

In-line flange mounting Valves - **SLBF**

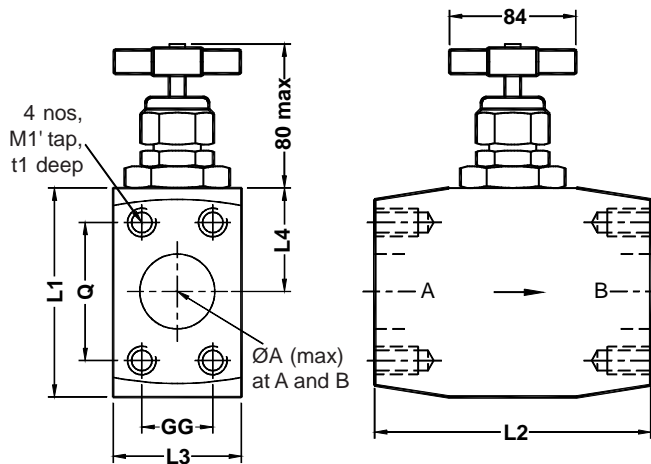
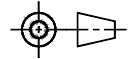


Table 1

Model Code	ØA	L1	L2	L3	L4
SLBF-J08L25-2.0	25	105	150	60	52.0
SLBF-J10L25-2.0	32	100	130	65	52.5
SLBF-J12L25-2.0	38	105	140	65	52.5

Model Code	Q	GG	M1	t1
SLBF-J08L25-2.0	52.4	26.2	M10 x 1.50	17
SLBF-J10L25-2.0	58.7	30.2	M10 x 1.50	17
SLBF-J12L25-2.0	69.9	35.7	M12 x 1.75	20

Right angle flange mounting Valves - **SLBWF**

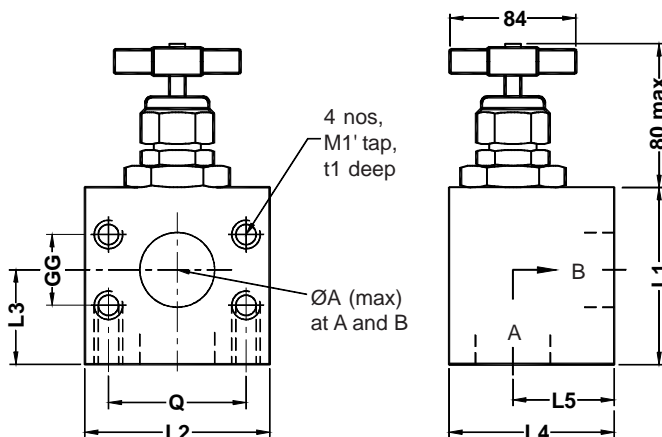


Table 2

Model Code	ØA	L1	L2	L3	L4	L5
SLBWF-J10L25-2.0	32	87.5	80	47.5	80	47.5
SLBWF-J12L25-2.0	38	93.5	94	51.5	84	51.5

Model Code	Q	GG	M1	t1
SLBWF-J10L25-2.0	58.7	30.2	M10 x 1.50	17
SLBWF-J12L25-2.0	69.9	35.7	M12 x 1.75	20

Shut off Valve, In-line flange mounting, Model : SLBF-J-25-2.0



the right connection

Ref. No : H03322, Release Oct 2006 (Dimensions in mm)

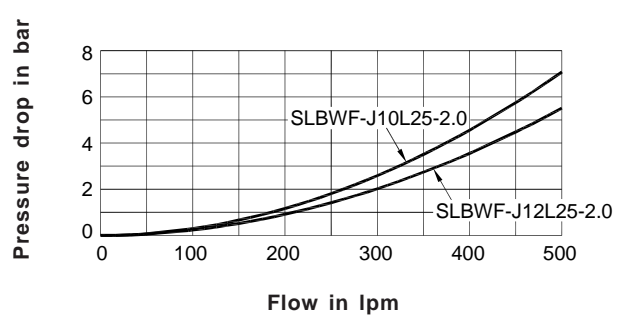
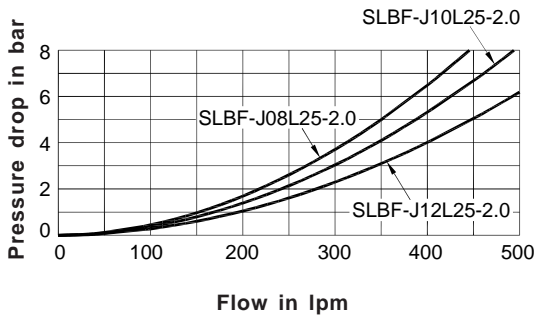
Technical Specifications

- Construction Sealed balanced poppet, seat type.
- Mounting type In line or right angle flange mounting, interface conforms to ISO 6162 bolt pattern.
(ISO 6164 bolt pattern flanges are also available on request)
- Mounting position Optional
- Flow direction From port 'A' to port 'B'.
- Operating pressure For, Size 1 1/4" - 276 bar
Size 1 1/2" - 200 bar
- Hydraulic medium Mineral oil.
- Viscosity range 10 cSt to 380 cSt.
- Fluid temperature range -20 °C to +70 °C.
- Fluid cleanliness requirement As per ISO 19/16 or better.
- Mass Refer table below

Model Code	SLBF-J08L25-2.0	SLBF-J10L25-2.0	SLBF-J12L25-2.0	SLBWF-J10L25-2.0	SLBWF-J12L25-2.0
Mass in Kg	6.0	6.6	7.5	4.4	5.8

Maximum flow handling capacity Refer graphs below.

Expected Performance Curves



Ordering Code

SLB W F J 08 L 25 - - 2.0

