



JOYSTICK CONTROLLED PILOT OIL UNIT Model : 4JP 06

Ref. No. D 72100
Release 11/2014

ENGINEERING - 1 of 4

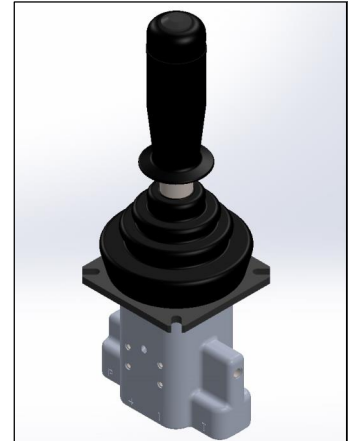
A Polyhydron Group Company

Description

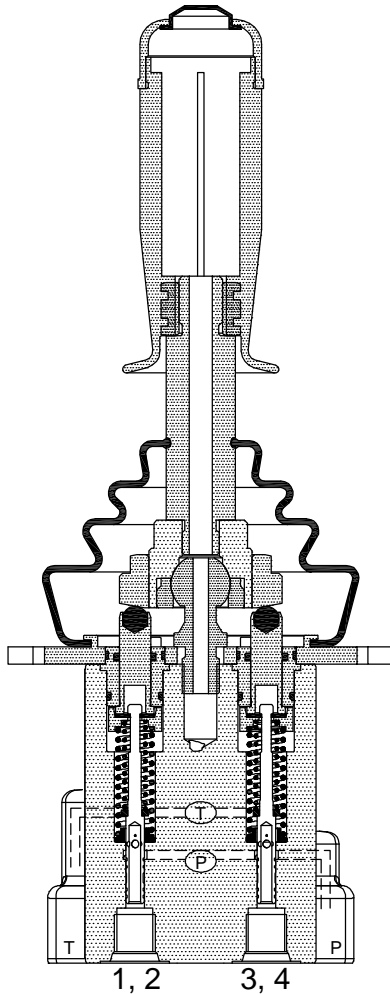
4JP 06 Joystick Controlled Pilot Oil Unit is a Manual Joystick control valve, meant for providing variable pilot pressure to the hydraulic components like Proportional Pilot Operated Directional Control Valves, Pumps and motors etc., which need variable pilot pressure to control their outputs.

The valve has two pairs of outlets, which can be operated independently or in tandem. Depending upon the Joystick tilt, the valve provides variable pressure to one or two of its outlets at a time.

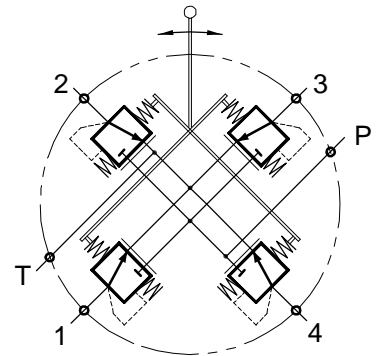
The pilot pressure can be regulated in the pressure range of 6 to 19 bar.



Section



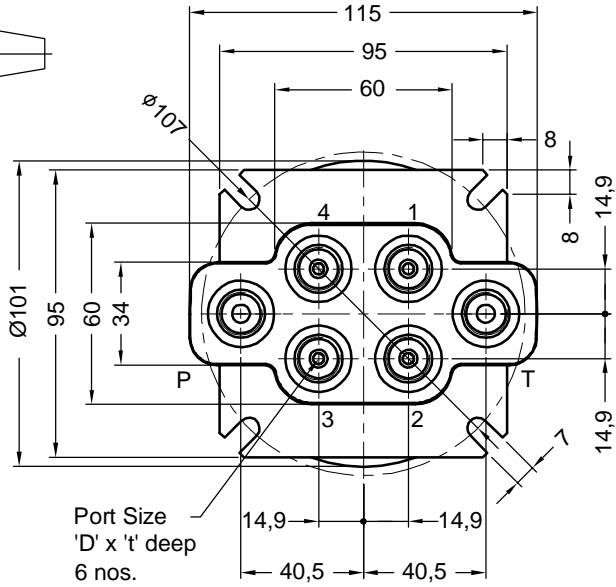
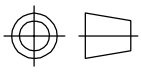
Hydraulic symbol





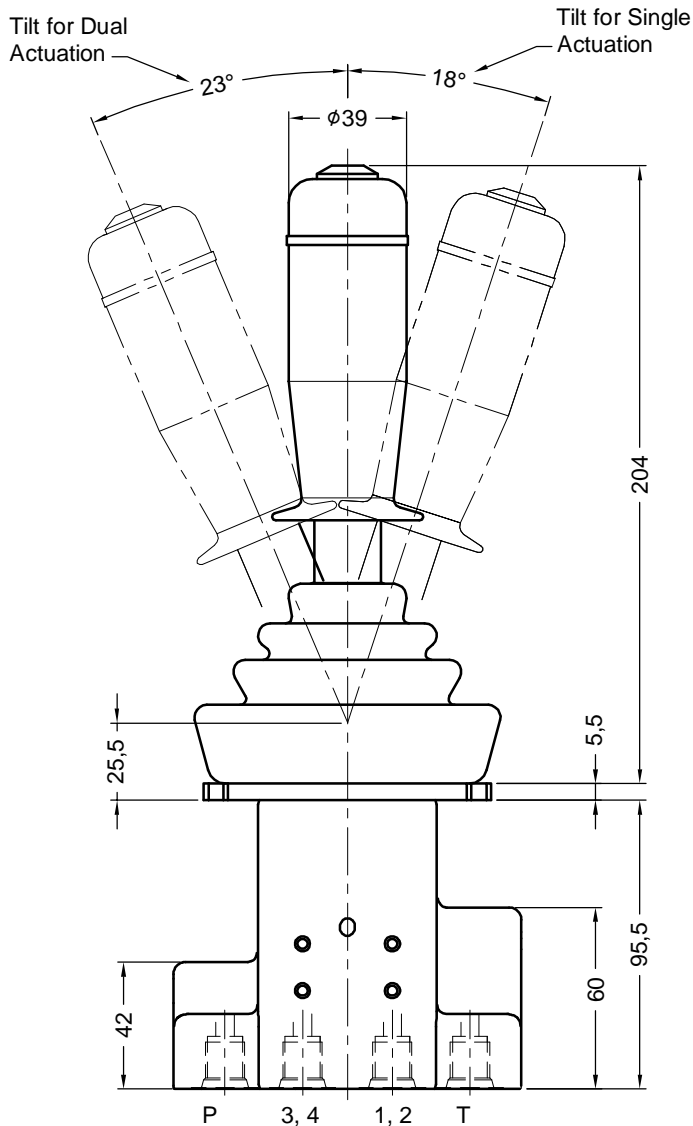
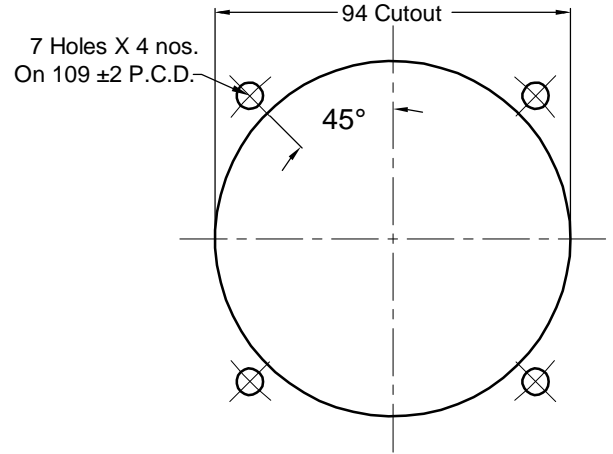
Unit dimensions

Dimensions in mm.



Panel Cutout Details

Maximum Panel thickness 5 mm.

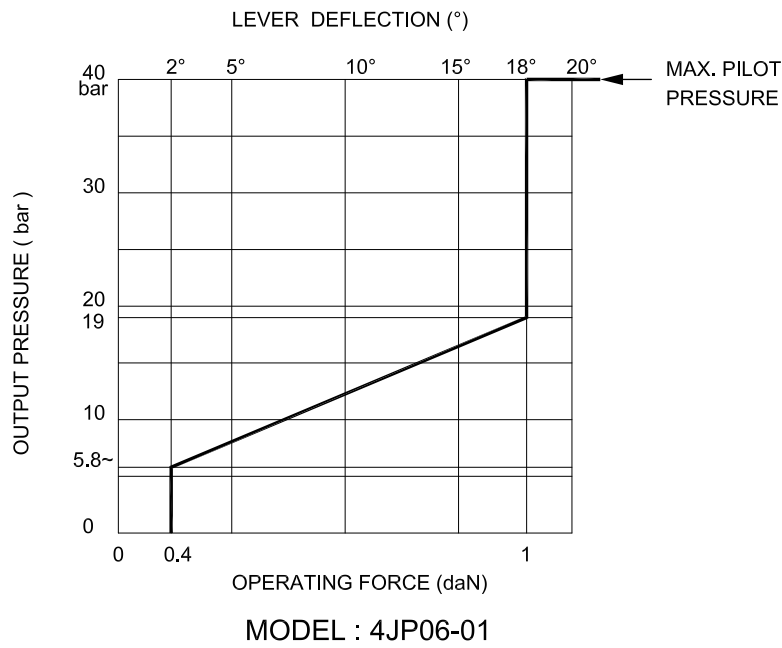


Model	Port Size 'D'	't' Deep
4JP06-01G	G 1/4	13
4JP06-01M	M 14 (ISO 261)	11.5



Technical specifications

Construction	Spool Type.
Mounting	Flange mounted, threaded body - Company standards
Mounting position	Optional.
Flow direction	As per Hydraulic Symbol.
Maximum operating pressure.....	50 bar
Minimum controlled pilot pressure.....	5.8 bar
Maximum controlled pilot pressure.....	19 bar
Pilot oil flow.....	16 L/min.
Hydraulic medium	Mineral oil.
Viscosity range	10 cSt to 380 cSt
Fluid temperature range	-20°C to +70°C
Fluid cleanliness requirement	ISO 4406 20/18/15 or better.
Mass	3.2 kg



Ordering code

