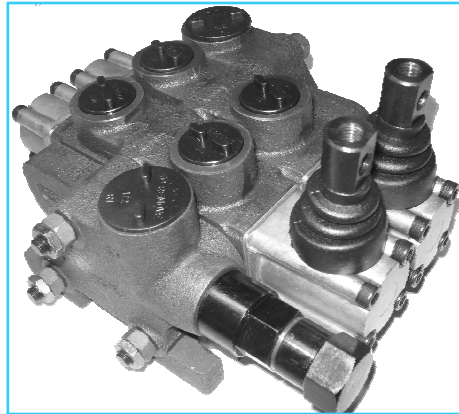


Sectional Type Directional Control Valve



Specification

Model Number	Max. Flow Rate L/Min.	Max. Oper. Pressure Kg/cm ²	Set Pressure Kg/cm ²	Relief Valve	Spool Leakage (at 100 Bar, 50 ^o C & 32 cSt)		Oil Temp. (Max)	Material Specification		Std. Feature
					Min.	Max.		Body	Spool	
MDS03-※-※-※-22	45	210	30	Adjustable direct acting Relief valve	5 cm ³ /min.	12 cm ³ /min. (Lower values on demand available)	80 ^o C	High Wear resistance S.G. Iron	Hardened Steel	Handle with Rubber Grip & Bellows

Model Number Designation

MDS	03	-01	-B	-2	-22
Series Number	Valve Size	No. of Spools	Relief Spring Type/Range	Spool Type	Design No.
MDS (Sectional Type)	03	01~08	A- 30~95 Kg/cm ² B- 96~210 Kg/cm ² C- 211~320 Kg/cm ²	2, 4, 8A & 8B	22*

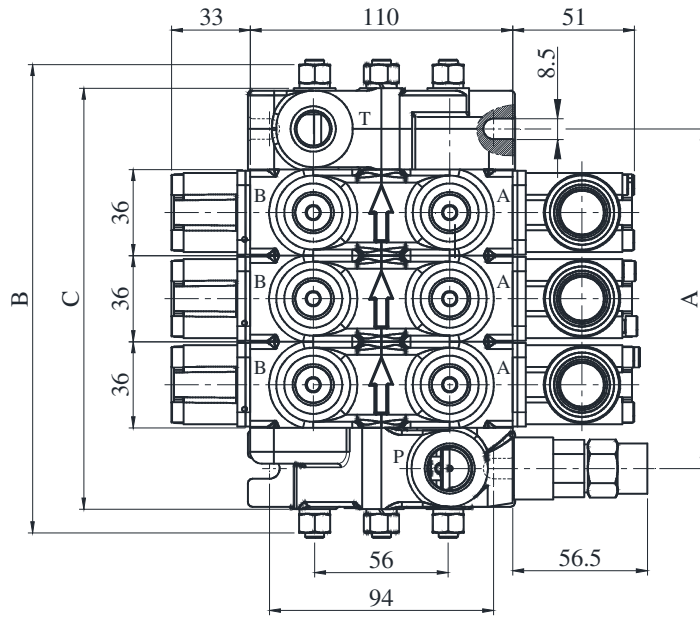
* For valve without handle the design no. is 22N

List of Spools

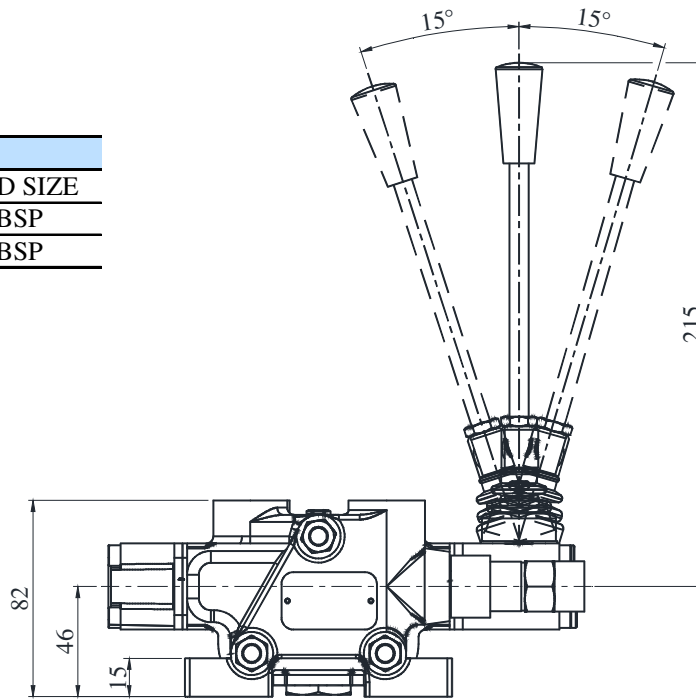
Type	Spool Scheme	Spool Features
2		4-Way-3 Position A/B blocked, E-open to Tank in neutral
4		4-Way-3 Position A/B to tank, E-open to Tank in neutral
8A		3-Way-3 Position A blocked, E-open to Tank in neutral
8B		3-Way-3 Position B blocked, E-open to Tank in neutral

● MDS03-※-※-※-22

DIMENSIONS IN MILLIMETRES

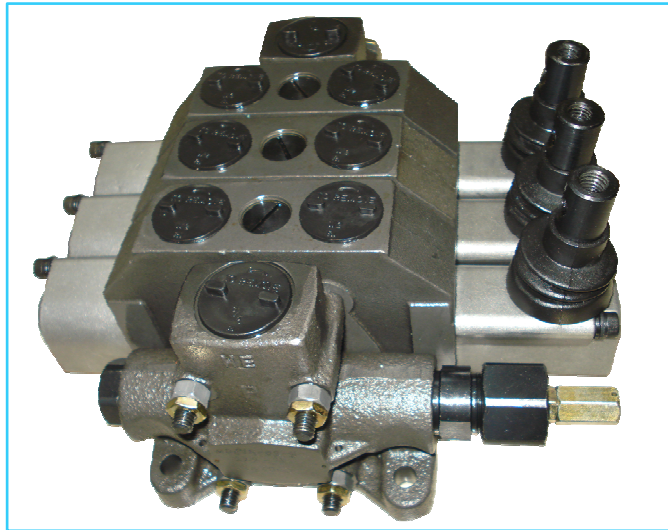


Port Size	
PORT	THREAD SIZE
P & T	1/2" BSP
A & B	3/4" BSP



No. of Section	1	2	3	4	5	6	7	8
Dimension A	70	106	142	178	214	250	286	322
Dimension B	124	160	196	232	268	304	340	376
Dimension C	104	140	176	212	248	284	320	356

Sectional Direction Control Valve



Specification

Model Number	Max. Flow Rate L/min.	Set Pressure Kg/cm ²	Max. Back Pressure Kg/cm ²	Spool Leakage (at 100 Bar, 50°C & 27 cSt)		Material Specification		Std. Feature
				Min.	Max.	Body	Spool	
MDS04-※-※-※-21	80	320	30	5 cm ³ /min.	16 cm ³ /min. (Lower values on demand available)	High Wear resistance S.G.Iron	Hardened Steel	Handle with Rubber Grip & Bellows

Model Number Designation

MDS	04	-01	-B	-2	D	L	※	-21	L	H	T1
Series Number	Valve Size	No. of Spools	Relief Spring Type/Range	Spool Type	Detent	Anti-cavitation Relief Valve For Ports	Thread Type	Design No.	L	H	T1
MDS (Sectional Type)	04	01~10	A- 30~95 Kg/cm ² B- 96~210 Kg/cm ² C- 211~320 Kg/cm ² N- Relief Spring not required.	2, 4, 8A & 8B	If required Specify D or else omit	L: For A Port M: For B Port P: For A&B Ports	Specify U for UNF thread (omit for STD thread)	21*	Relief valve (as shown in fig.)	HPCO (if required)	Additional tank line (if required)

- * For valve control with lever unit and handle the design No. is 21
- * For valve control with lever unit but without handle the design No. is 21S
- * For valve control without lever unit and handle the design No. is 21N (Customer to use their own lever linkages or operating handle)
- * For valve control with pneumatic operation the design No. is 21P

Note : Above types are readily available. For any other special requirements kindly contact factory.

List of Spools

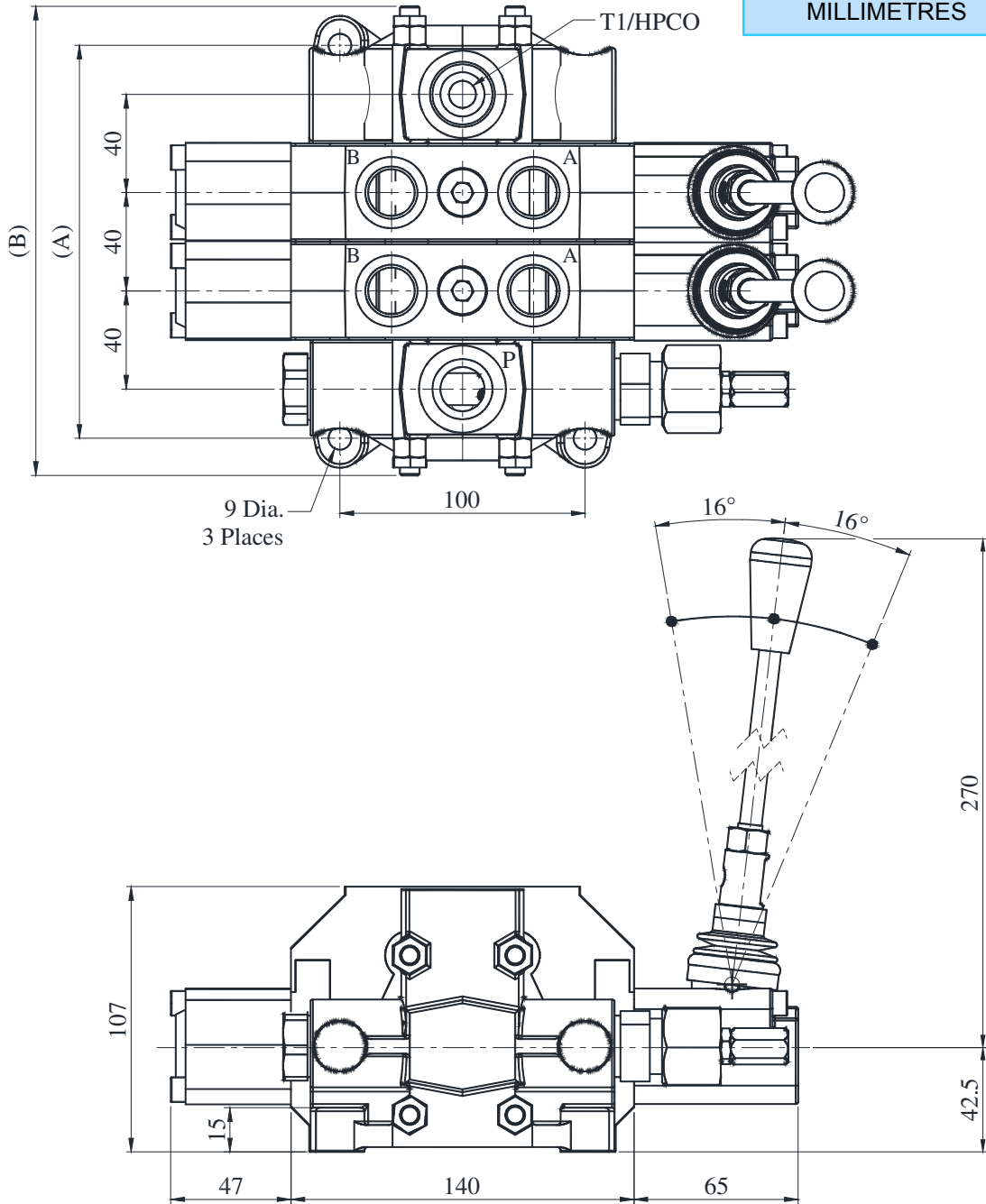
Type	Spool Scheme	Spool Features
2		4-way-3 position A/B blocked, E-open to Tank in neutral position.
4		4-way-3 position A/B to tank, E-open to Tank in neutral position.
8A		3-way-3 position A blocked, E-open to Tank in neutral position.
8B		3-way-3 position B blocked, E-open to Tank in neutral position.

* For each spool indicate above (L or M or P)

In case any of above L,M, or P is needed for all spools in common indicate any one of the L or M or P in () with any one letter only.

● MDS04-※-※-※-21

DIMENSIONS IN MILLIMETRES



Port Size	
Port	Thread Size
P & T	3/4" BSP
A & B	1/2" BSP
T1/HPCO	3/4" BSP

No. of Section	1	2	3	4	5	6	7	8	9	10
Dimension A	120	160	200	240	280	320	360	400	440	480
Dimension B	139	179	219	259	299	339	379	419	459	499