



# GROUP 3P – P3000 SERIES

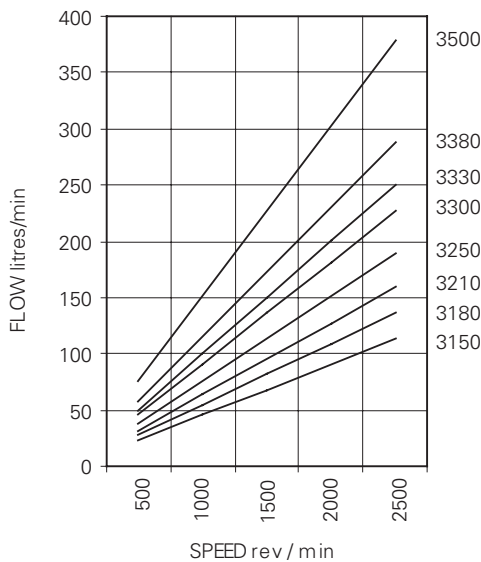
## PERFORMANCE DATA

Pressures quoted are relief valve maximum by-pass  
Performance with SAE 20W oil at 50° C

PUMP TYPE	Nominal Displacement	Nominal Delivery @ 1500 rpm & Pressure P	Maximum Continuous Pressure P		Speed at Maximum Continuous Pressure P	
			psi	bar	max	min
	cc/rev	lpm				
3150	45.33	68.00	3000	207	2500	550
3180	54.33	81.50	3000	207	2500	600
3210	63.67	95.50	3000	207	2500	700
3250	75.67	113.50	3000	207	2500	700
3300	90.67	136.00	2525	174	2500	700
3330	100.00	150.00	2300	159	2500	700
3380	115.33	173.00	2000	138	2500	700
3500	151.33	227.00	1500	100	2500	700

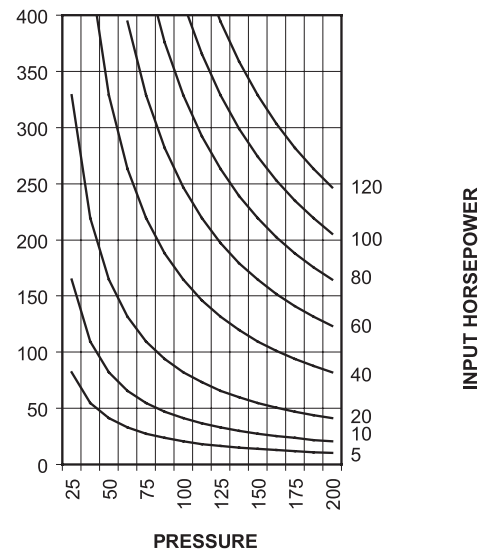
## TYPICAL PERFORMANCE

**TYPICAL PUMP DELIVERY**  
Flow at Max. Pressure.



**TYPICAL INPUT HORSEPOWER**

Fluid SAE 20W  
Fluid Temperature 50° C



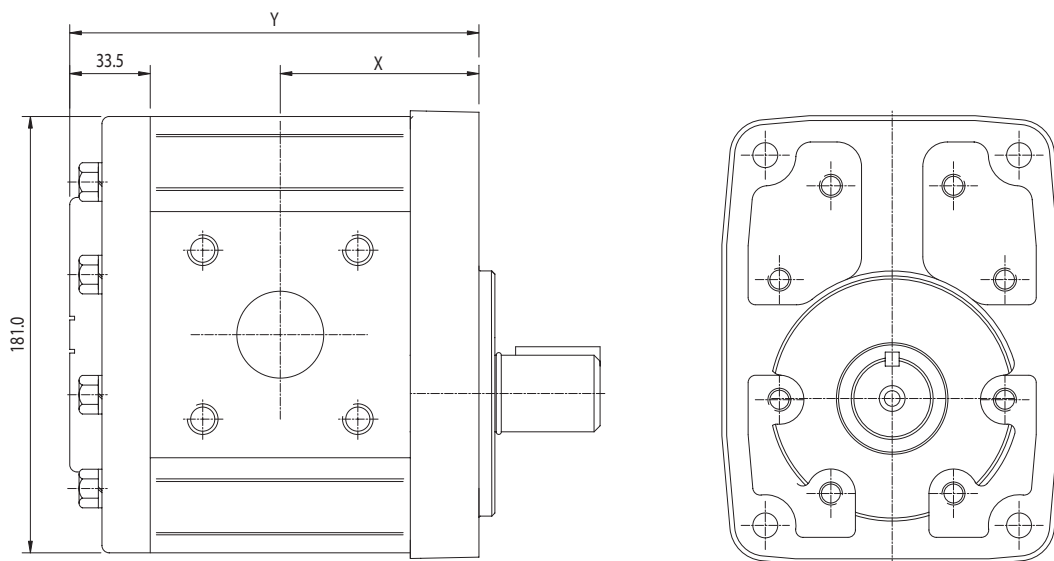


**INDEX**



## 3P SERIES

### INSTALLATION DIMENSIONS



PUMP TYPE	DIMENSION-X	DIMENSION-Y
3P 3150	70.1	145.2
3P 3180	72.5	150.0
3P 3210	74.9	154.8
3P 3250	78.1	161.2
3P 3300	82.1	169.1
3P 3330	84.6	174.3
3P 3380	88.6	182.3
3P 3500	98.9	202.8

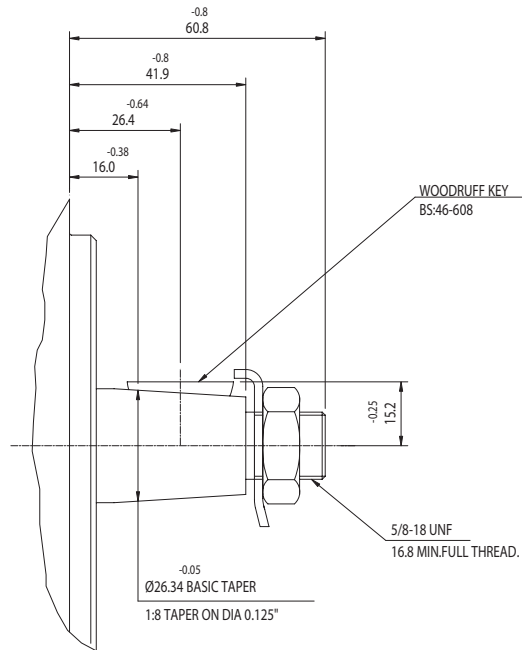
ALL DIMENSIONS ARE IN MM UNLESS SPECIFIED.



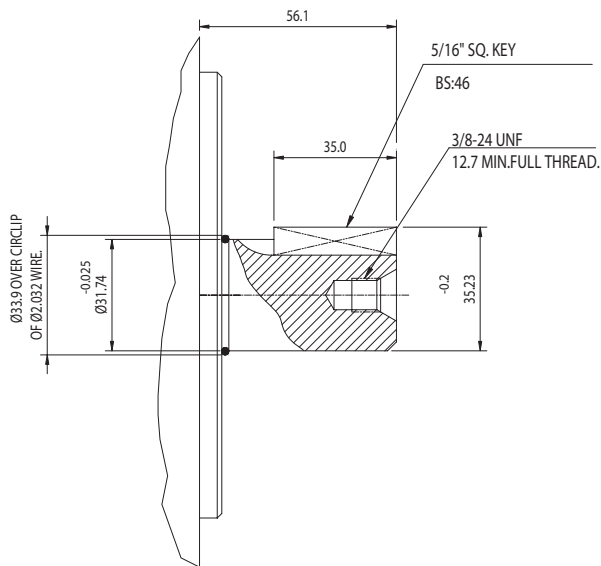
# 3P SERIES

## DRIVE SHAFT

CODE - T



CODE - P



ALL DIMENSIONS ARE IN MM UNLESS SPECIFIED.



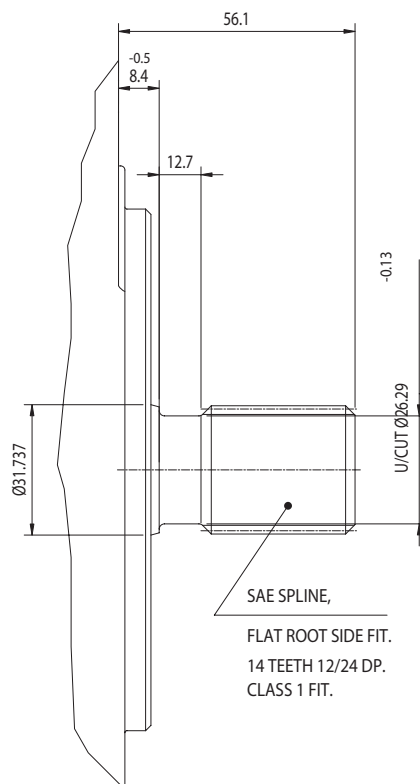
**INDEX**



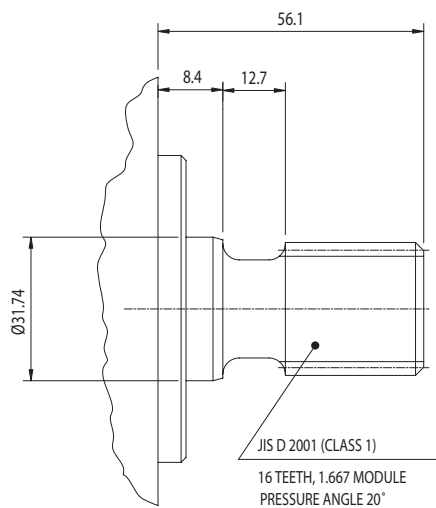
## 3P SERIES

### DRIVE SHAFT

CODE - S



CODE - J



ALL DIMENSIONS ARE IN MM UNLESS SPECIFIED.



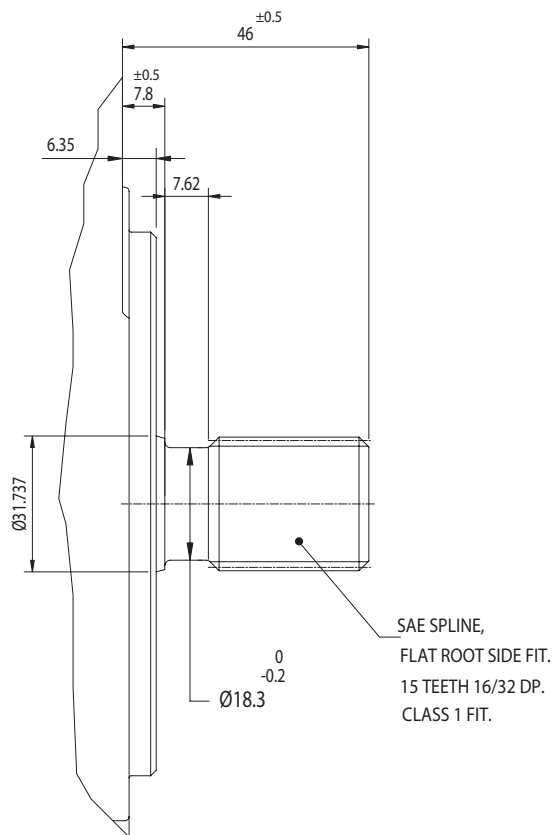
**INDEX**



## 3P SERIES

### DRIVE SHAFT

CODE - B



ALL DIMENSIONS ARE IN MM UNLESS SPECIFIED.



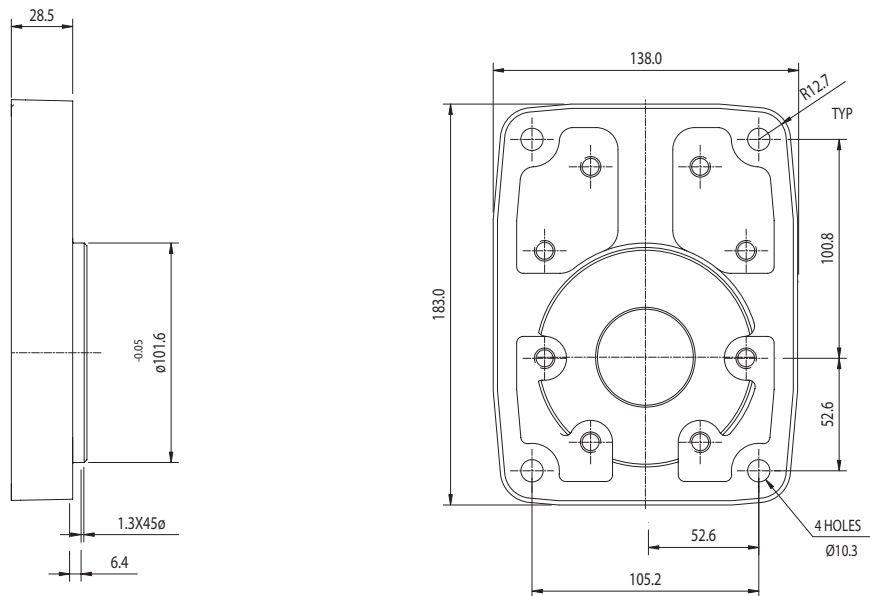
**INDEX**



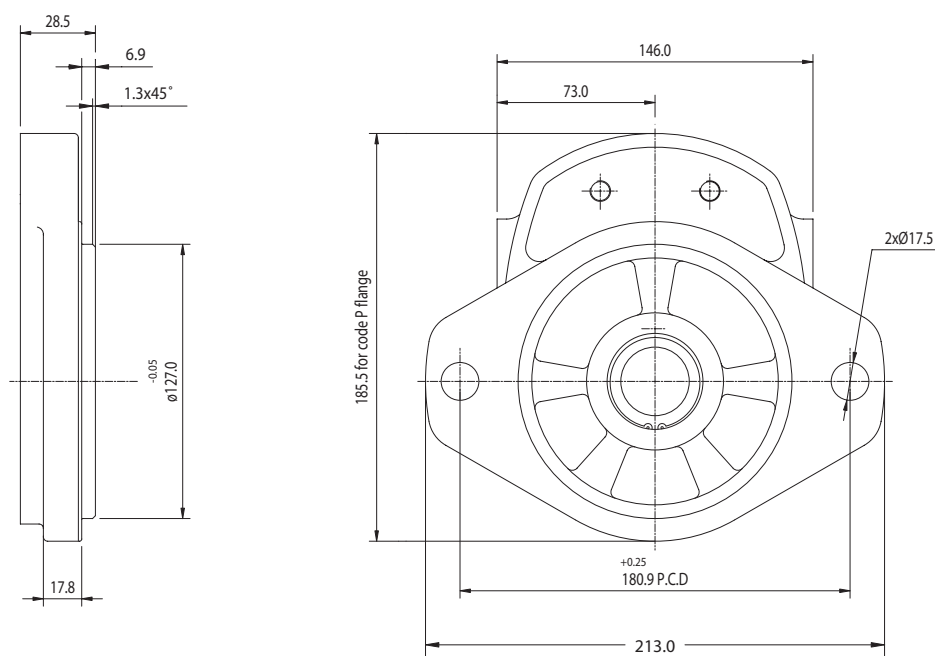
## 3P SERIES

### MOUNTING FLANGE

CODE - D



CODE - S



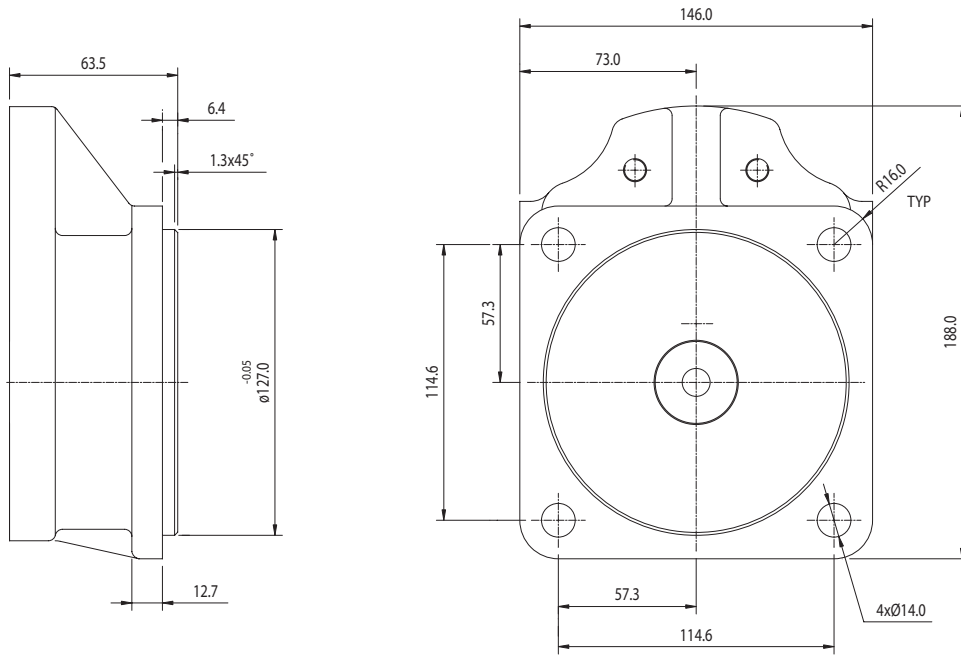
ALL DIMENSIONS ARE IN MM UNLESS SPECIFIED.



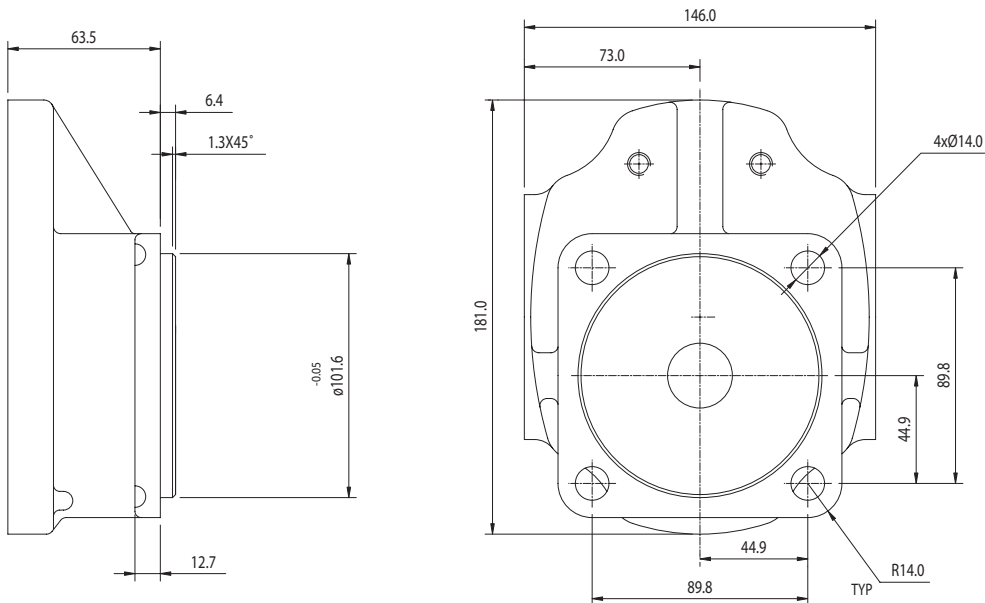
# 3P SERIES

## MOUNTING FLANGE

4-Bolt SAE C Mounting Flange CODE - C



4-Bolt SAE-B Mounting Flange CODE - B



ALL DIMENSIONS ARE IN MM UNLESS SPECIFIED.

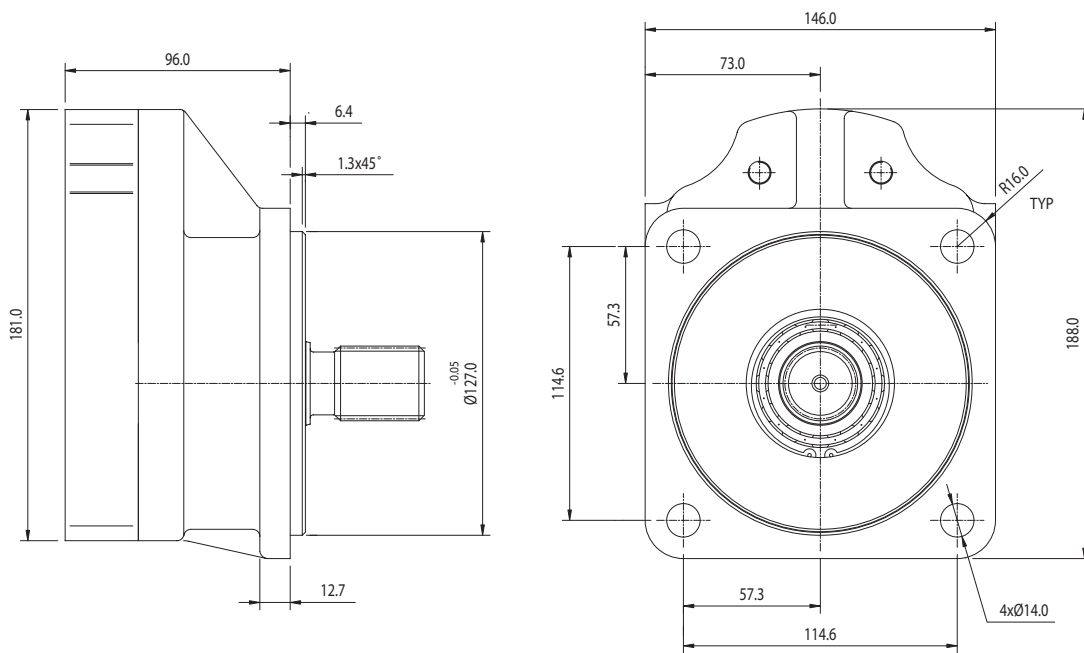


**3P SERIES**

**MOUNTING FLANGE**

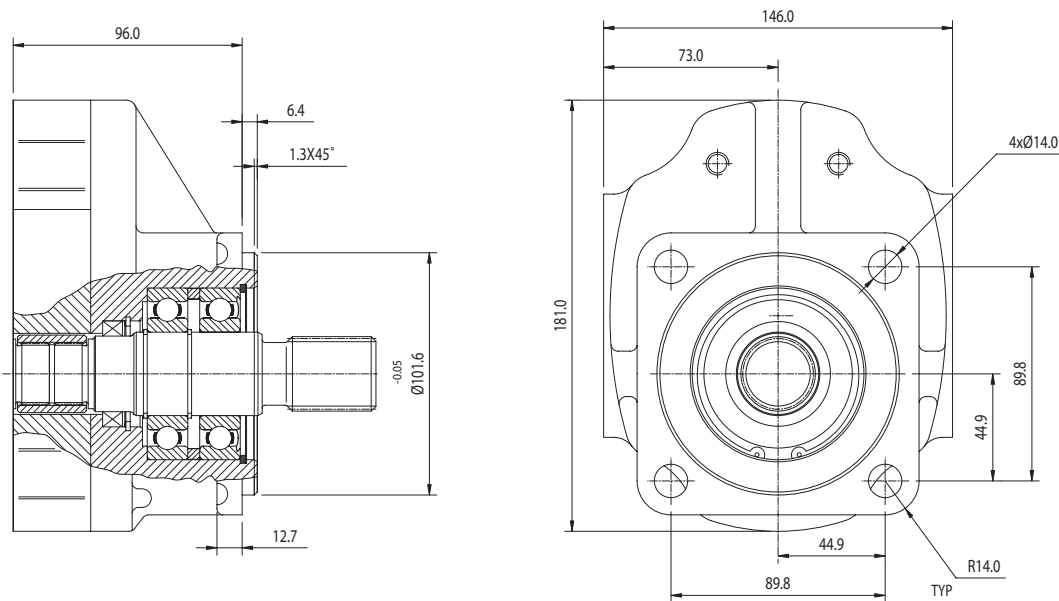
4-Bolt SAE C Mounting Flange with Bearing support CODE - 3

Available with shaft code P and S only



4-Bolt SAE B Mounting Flange with Bearing support CODE - 2

Available with shaft code P and S only



ALL DIMENSIONS ARE IN MM UNLESS SPECIFIED.





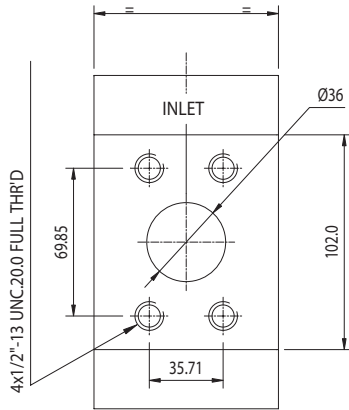
# INDEX



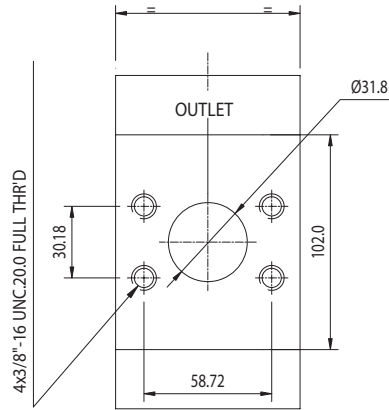
## 3P SERIES

### BODY PORTS

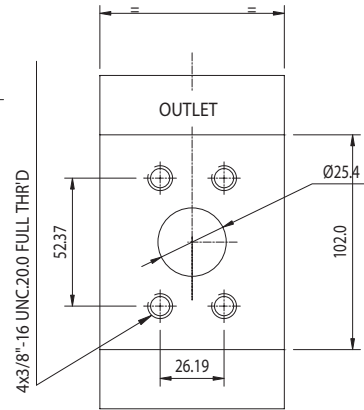
CODE - S



ALL TYPES

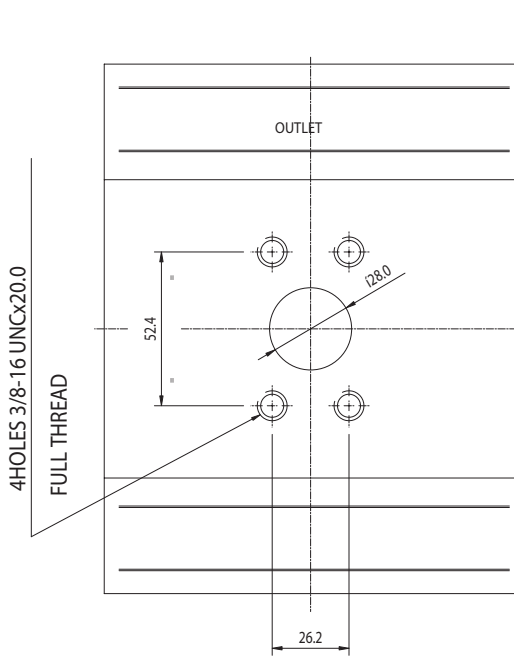


PUMP TYPES 3P3330 & 3380

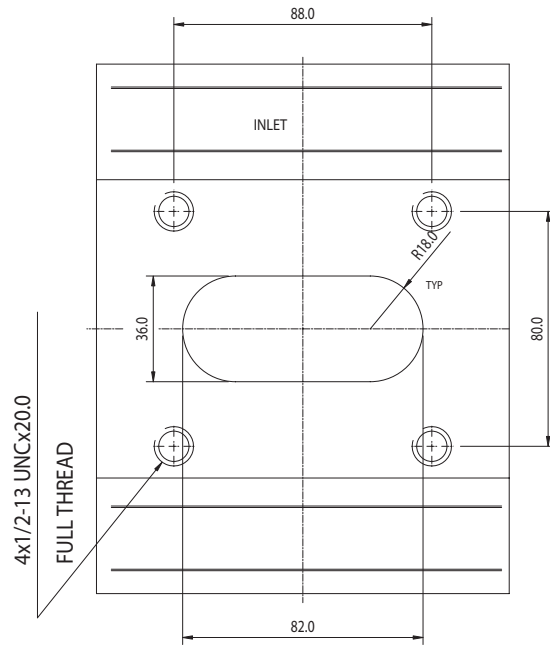


PUMP TYPES 3P3150 TO 3300

CODE - S



PUMP TYPE 3P 3500  
(ONLY ABOVE CONFIGURATION AVAILABLE)



WITH SUCTION ADAPTOR

ALL DIMENSIONS ARE IN MM UNLESS SPECIFIED.



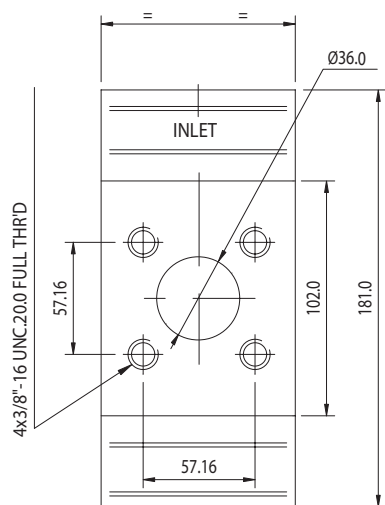
**INDEX**



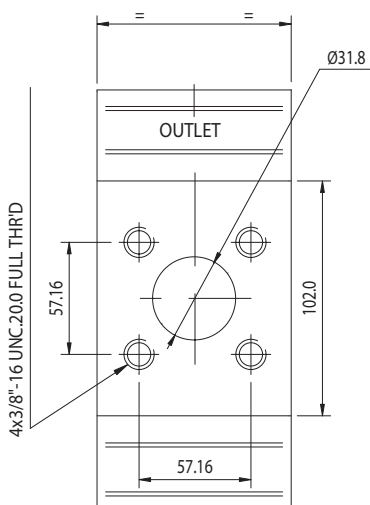
## 3P SERIES

### BODY PORT

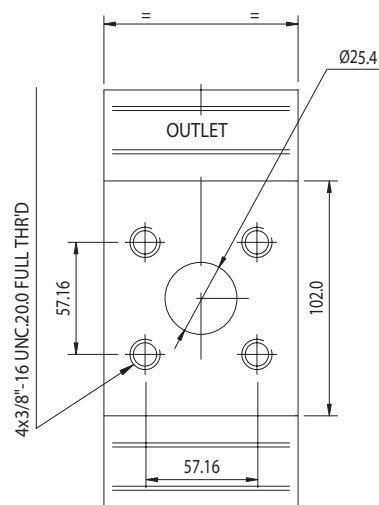
CODE - F



ALL TYPES



PUMP TYPES 3P3150 TO 3300



PUMP TYPES 3P3330 & 3380

ALL DIMENSIONS ARE IN MM UNLESS SPECIFIED.

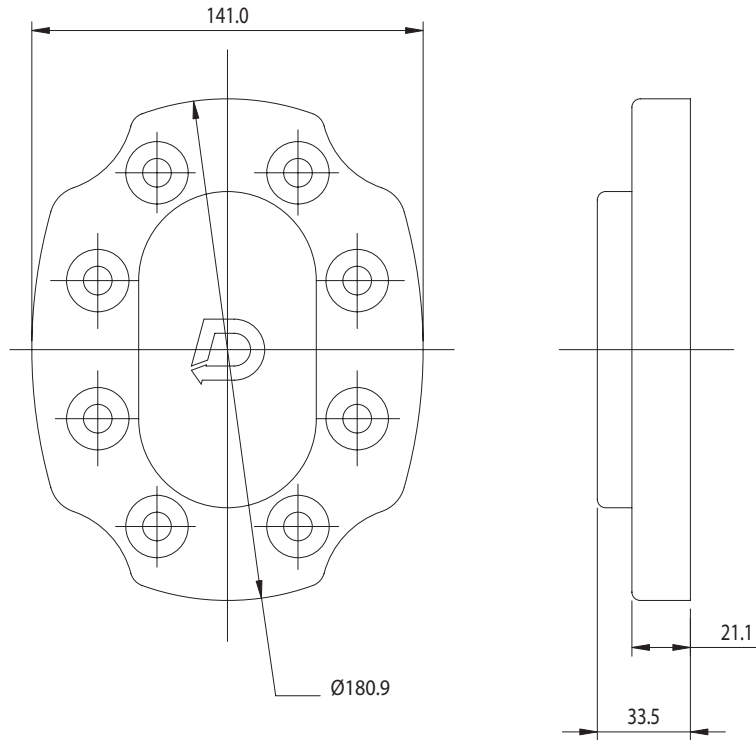


**INDEX**



## 3P SERIES

### COVER



ALL DIMENSIONS ARE IN MM UNLESS SPECIFIED.



## QUESTIONNAIRE – SINGLE PUMPS

---

1. Customer

---

2. Pump Model

---

3. Flow / displacement

---

4. Application

---

5. Rated rpm Minimum Maximum

---

6. Working Pressure Minimum Maximum

---

7. Working Pressure (Peak)

---

8. Oil Used

---

9. Viscosity

---

10. Reservoir Capacity

---

11. Oil Temperature

---

12. Filtration (Suction/any other)

---

13. Suction Head (vacuum)

---

14. Cavitation (if any)

---

15. Direction of Rotation

---

16. Type of Shaft

---

17. Length of Shaft from flange face

---

18. Drive Mechanism

---

19. Power takeoff from Gearbox/  
Crankshaft/camshaft/driveshaft/Universal joint)

---

20. Whether bearing support required

---

21. Mounting Flange details

---

22. Suction Port details

---

23. Delivery port details

---

24. Type of piping

---

25. Space restrictions (if any)

---

27. Remarks / Suggestions

---