

Alfomega Pipe Clamps



Pipe Clamp



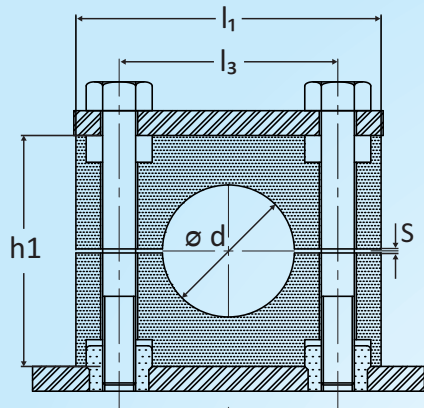
Aluminium Clamp



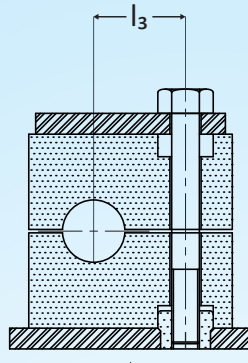
Horizontal &
Vertical Clamp



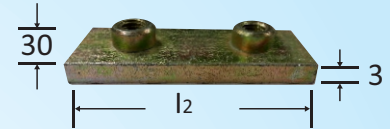
Twin Clamp



For all other Groups



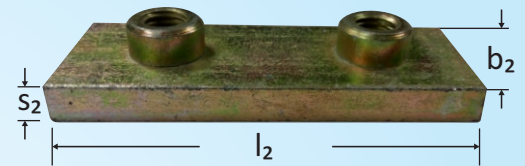
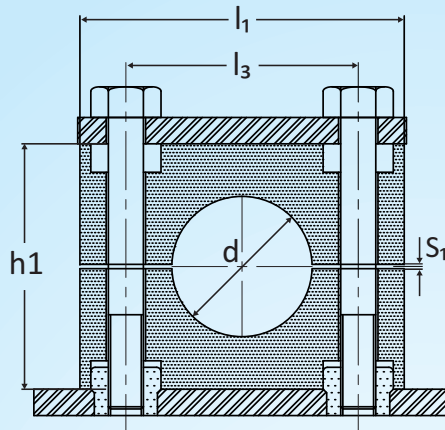
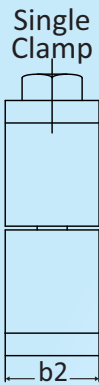
For Group LA



Clamp Size Dimensions (in mm)

Dia d			Group	Size No.	h ₁	l ₁	l ₃	S ₁	l ₂
mm	Nominal Bore	Inch O.D.							
6			LA	6	27	30	10	0.4	35
		1/4		6.4					
8		5/16		8					
		3/8		9.5					
	G1/8			10					
12				12					
6			LB	6	27	35	20	0.6	40
		1/4		6.4					
8		5/16		8					
		3/8		9.5					
	G1/8			10					
12				12					
		1/2	LC	12.7	33	40	26	0.6	45
	G1/4			13.5					
14				14					
15				15					
16		5/8		16					
	G3/8		17.2						
18				18					
20		3/4	LD	19	35	48	33	0.6	53
	G1/2			20					
				21.3					
22		7/8		22					
25		1		25					
	G3/4		26.9						
28			LE	28	42	57	40	0.6	62
30				30					
				32					
	G1	1.1/4	LF	33.7	58	70	52	0.8	75
35				35					
38		1.1/2		38					
42		G1.1/4		42					
		1.3/4	LG	44.5	66	85	66	0.8	90
	G1.1/2			48.3					
		2		50.8					

* Design and dimensions subject to change without prior notice for the sake of improvement



Clamp Size Dimensions (in mm)

Dia d			Group	Size No.	h1	l1	l3	S1
mm	Nominal Bore	Inch O.D.						
6		1/4	HA	6	32	55	33	1
6.4								
8		3/8						
8								
9.5								
10	G1/8							
10								
12		1/2						
12								
12.7								
13.5	G1/4							
14								
14								
15								
15								
16		5/8						
16								
17.2	G3/8							
18								
18								
19		3/4	HB	20	48	70	45	1
20								
20	G1/2							
21.3								
22		7/8						
22								
25		1						
25								
26.9	G3/4							
28								
28								
30								
30								
30		1.1/4	HC	30	60	85	60	1
32								
33.7	G1							
35								
35								
38		1.1/2						
38								
40								
40								
38		1.1/2	HD	42	90	115	90	2
42	G1.1/4							
42								
44.5		1.3/4						
48.3	G1.1/2							
50.8		2						

Dia d			Group	Size No.	h1	l1	l3	S1
mm	Nominal Bore	Inch O.D.						
55		2.1/4	HD	55	90	115	90	2
57								
60.3	G2							
63.5		2.1/2						
65								
65			HE	65	120	152	122	3
70								
70								
70								
73								
73								
75								
75	G2.1/2	3						
76.1								
80								
80		3.1/4						
82.5								
88.9	G3							
88.9	G3		HF	100	170	205	168	3
100								
100	G3.1/2							
102		4.1/4						
108								
114	G4							
114		5						
127		5.1/4						
133		5.1/4						
133			HG	140	200	250	205	4
140	G5							
140		6						
152			HH	168	270	320	265	4
168	G6							
168		8.1/2						
216								
219	G8							
219			HI	219	410	470	395	10
219	G8							
273	G10							
324	G12		HJ	273	530	630	535	30
324								
356	G14							
406	G16							

Group	HA	HB	HC	HD	HE	HF	HG	HH	HI	HJ
Length l2	73	85	100	140	180	225	270	340	520	680
Width b2	30	30	30	45	60	80	90	120	160	180
Thickness S2	8	8	8	10	10	15	15	25	30	30

* Design and dimensions subject to change without prior notice for the sake of improvement



Ordering Code

Ordering Code for 12mm OD Single Polypropylene Pipe Clamp Heavy Series is shown in the caption below

PC	+	S	+	HA	+	12	+	PP
		↓		↓		↓		↓

Number	Group	Size No.	Material of Refill
S-Single	As per Catalogue	As per Catalogue	PP-Polypropylene
2V-Double Vertical			PY-Polyamide
2H-Double Horizontal			AL-Aluminium
3V-Triple Vertical			
3H-Triple Horizontal			

Ordering Code for 2.1/2"O.D Double Vertical Aluminium Pipe Clamp Heavy Series would be **PC-2V-HD-63.5-AL**

Manufactured By :- **Variety Plastics**

Plot No : 154 G.I.D.C
SIDHPUR-384151 (N.G.)
Mob : +91-7567749868, +91-8980876862
Email : variety.sidh@gmail.com



An ISO 9001:2008 Certified Company