

GROUP 1P – P4000 SERIES

PERFORMANCE DATA

Pressures quoted are relief valve maximum by-pass

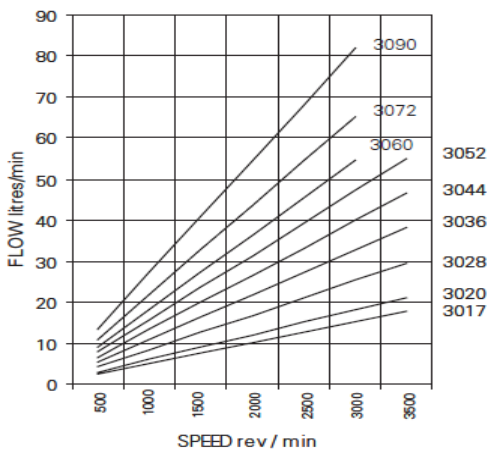
Performance with SAE 20W oil at 50° C

PUMP TYPE	DISPLACEMENT cc/rev	NOMINAL DELIVERY @1500 RPM & PRESSURE P		MAXIMUM CONTINUOUS PRESSURE P		SPEED AT MAXIMUM CONTINEOUS PRESSURE P	
		Max(lpm)	Min(lpm)	psi	bar	Max	Min
4017	6.1	9.2	7.8	3000	207	3500	700
4020	7	10.5	8.9	3000	207	3500	700
4023	7.9	11.9	10.1	3000	207	3500	700
4027	9.2	13.8	11.8	3000	207	3500	700
4028	9.4	14.2	12.2	3000	207	3500	700
4032	10.6	16	14.1	3000	207	3500	700
4036	11.9	17.85	15.7	3000	207	3500	700
4040	13.1	19.7	17.3	3000	207	3500	700
4044	14.3	21.5	18.9	3000	207	3500	700
4052	16.8	25.2	22.9	3000	207	3500	700
4055	17.6	26.5	23.8	3000	207	3500	700
4060	19.2	28.8	26.5	3000	207	3500	700
4072	22.8	34.3	31.5	2525	174	3000	700
4090	28.13	42.2	38.8	2000	138	2400	700

TYPICAL PERFORMANCE

TYPICAL PUMP DELIVERY

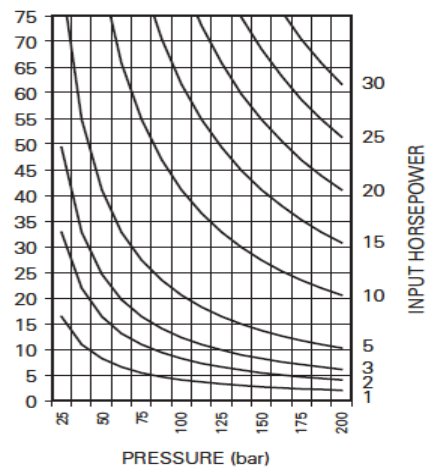
Flow at Max. Pressure.



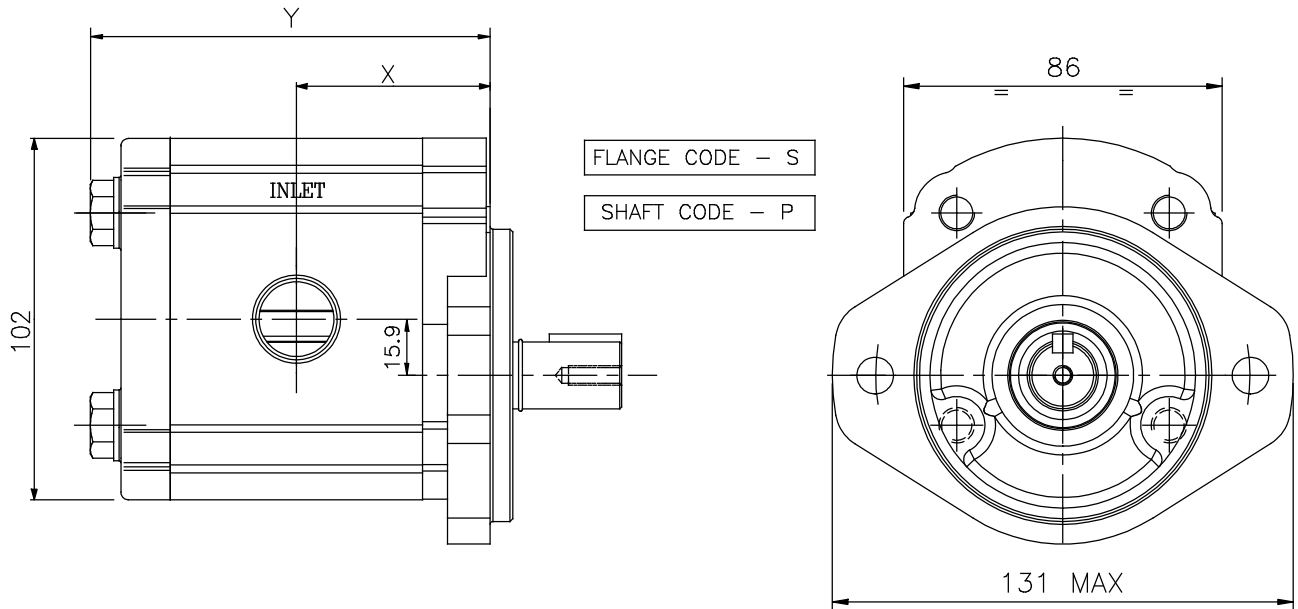
TYPICAL INPUT HORSEPOWER

Fluid SAE 20W

Fluid Temperature 50° C

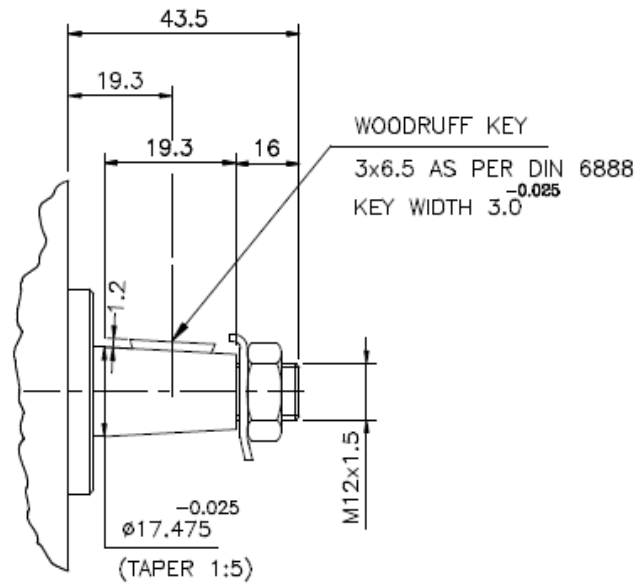


INSTALLATION DIMENSIONS
1P 4000 SERIES

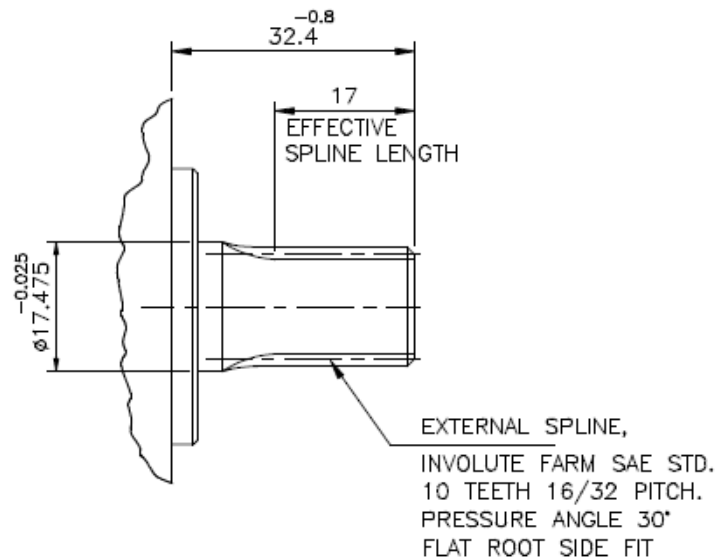


PUMP TYPE.	DIMENSIONS	
	X	Y
1P-4013	41.3	86.0
1P-4017	41.8	87.0
1P-4020	42.6	88.6
1P-4028	44.1	91.6
1P-4036	45.6	94.7
1P-4044	54.6	112.8
1P-4052	56.2	115.8
1P-4060	57.7	118.9
1P-4072	60.0	123.5
1P-4090	63.3	130.2

DRIVE SHAFT CODE - K
FLANGE CODE - K



DRIVE SHAFT CODE - H
FLANGE CODE - D & S

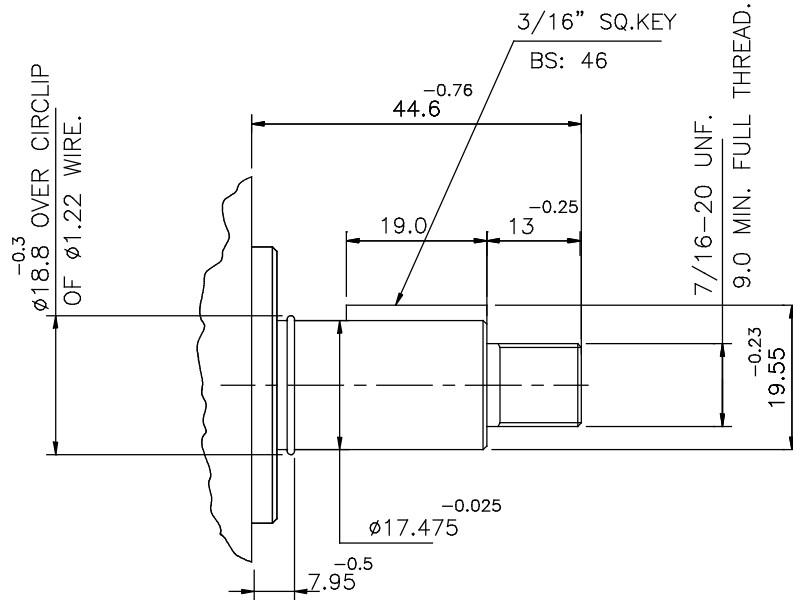


ALL DIMENSIONS ARE IN MM UNLESS OTHERWISE SPECIFIED.

DRIVE SHAFT

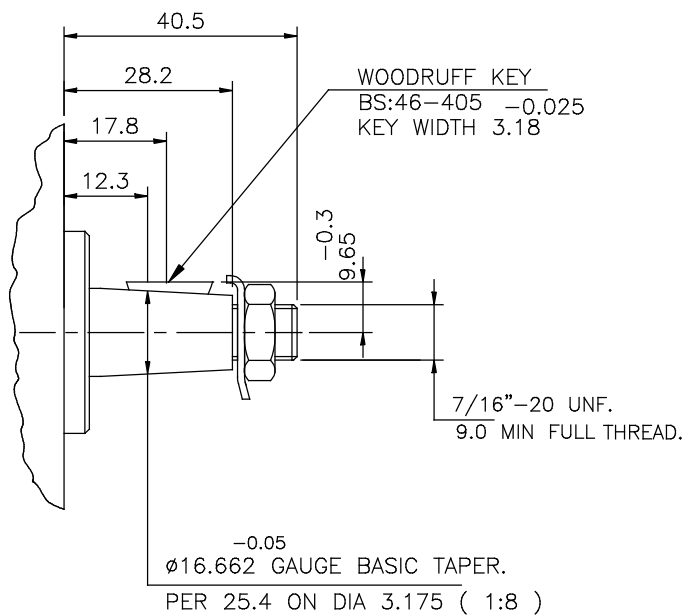
SHAFT CODE - U

FLANGE CODE - D & S



SHAFT CODE - T

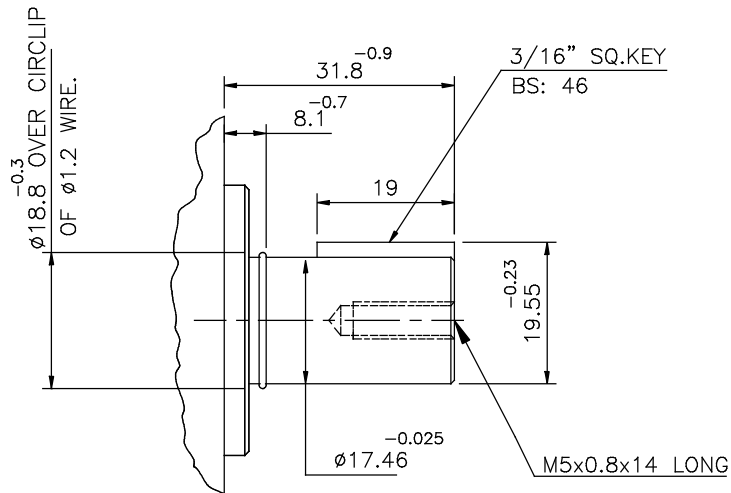
FLANGE CODE - D & S



DRIVE SHAFT

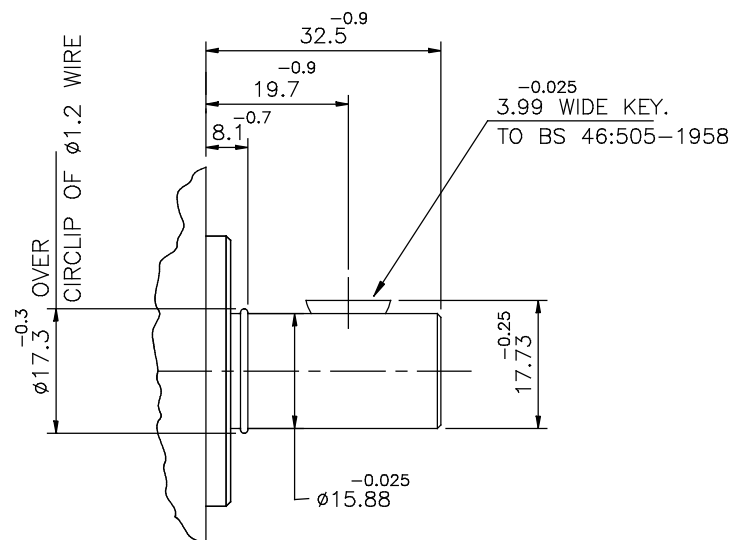
CODE - P

FLANGE CODE - D & S



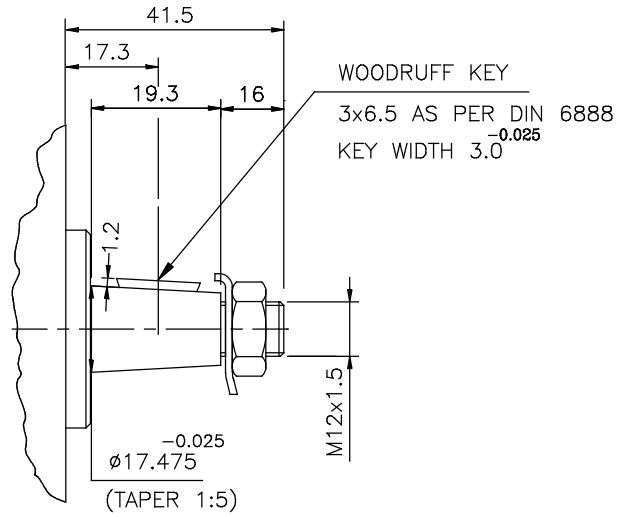
CODE - L

FLANGE CODE - D & S



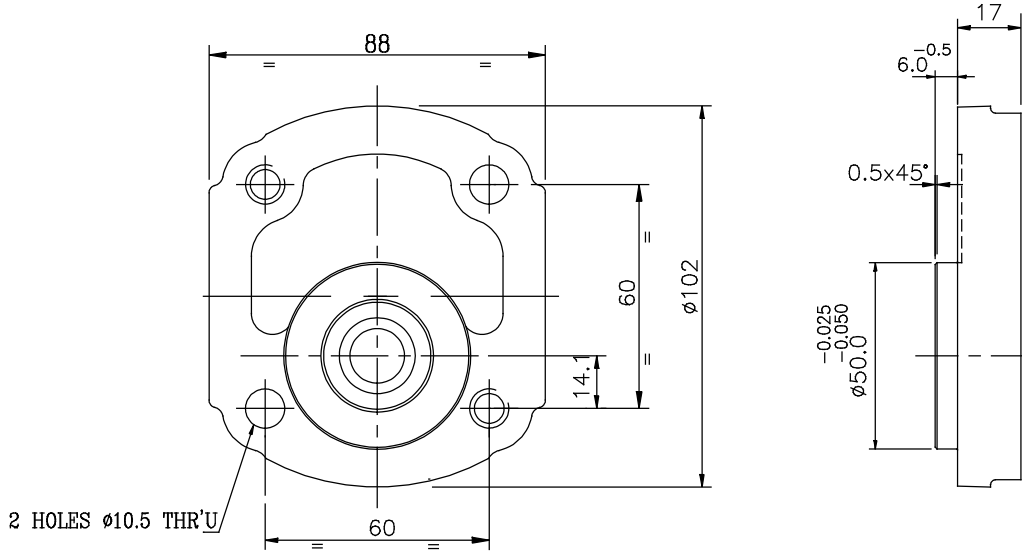
DRIVE SHAFT CODE - K

FLANGE CODE - D & S



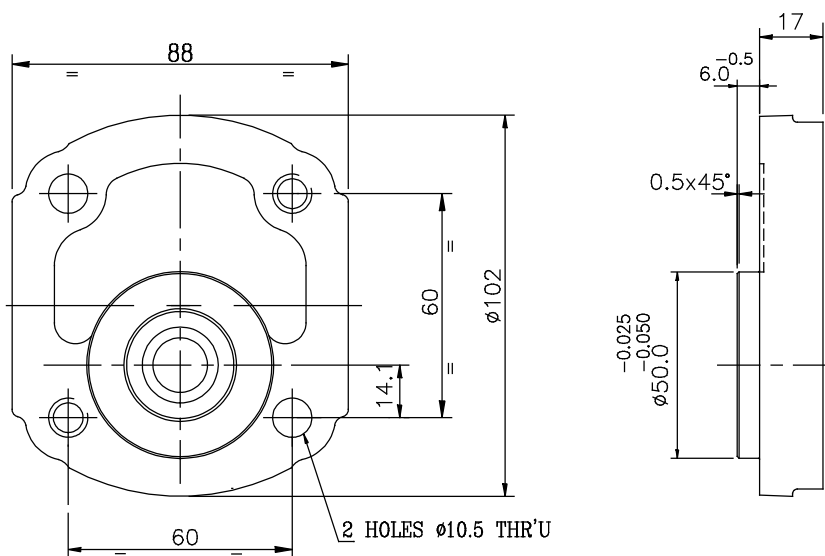
MOUNTING FLANGE CODE - K

2 BOLT MOUNTING CLOCKWISE ROTATAION

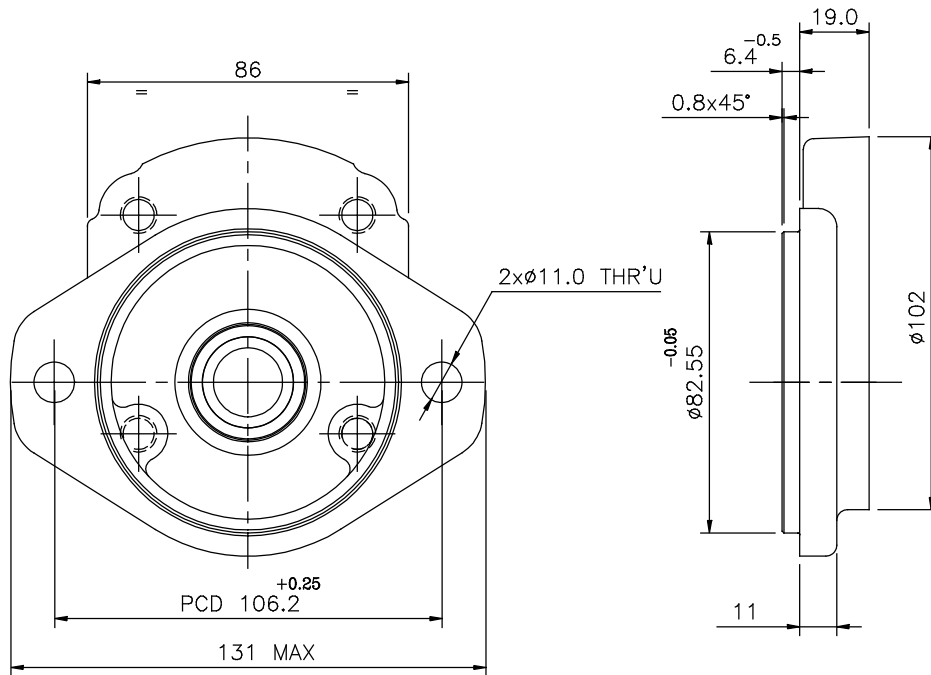


MOUNTING FLANGE CODE - K

2 BOLT MOUNTING ANTI-CLOCKWISE ROTATAION

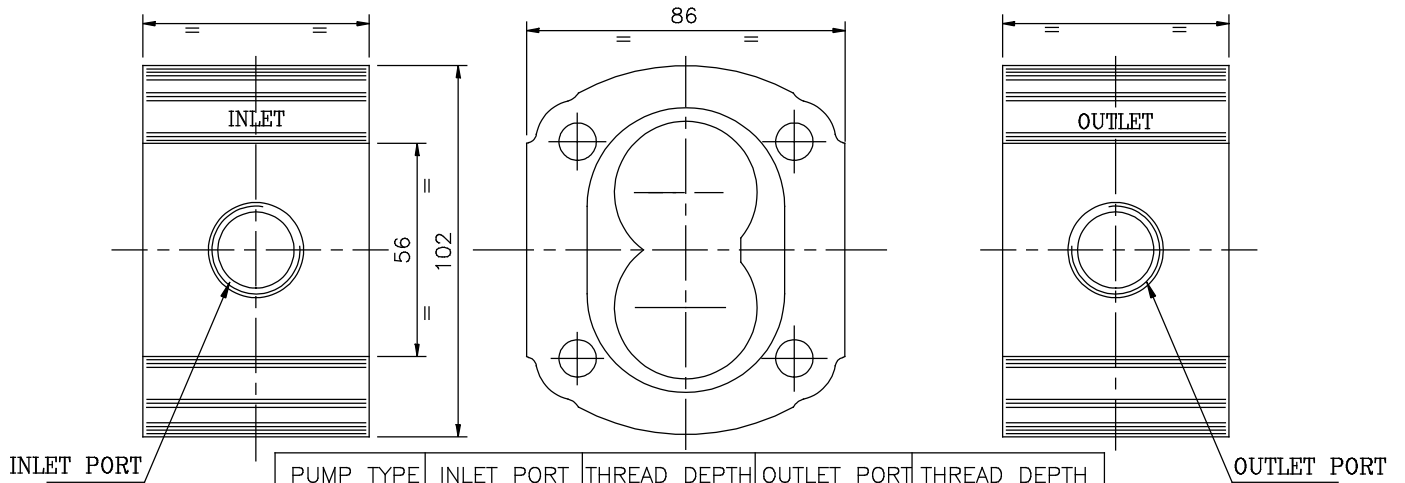


MOUNTING FLANGE CODE - S
SAE 2 BOLT MOUNTING



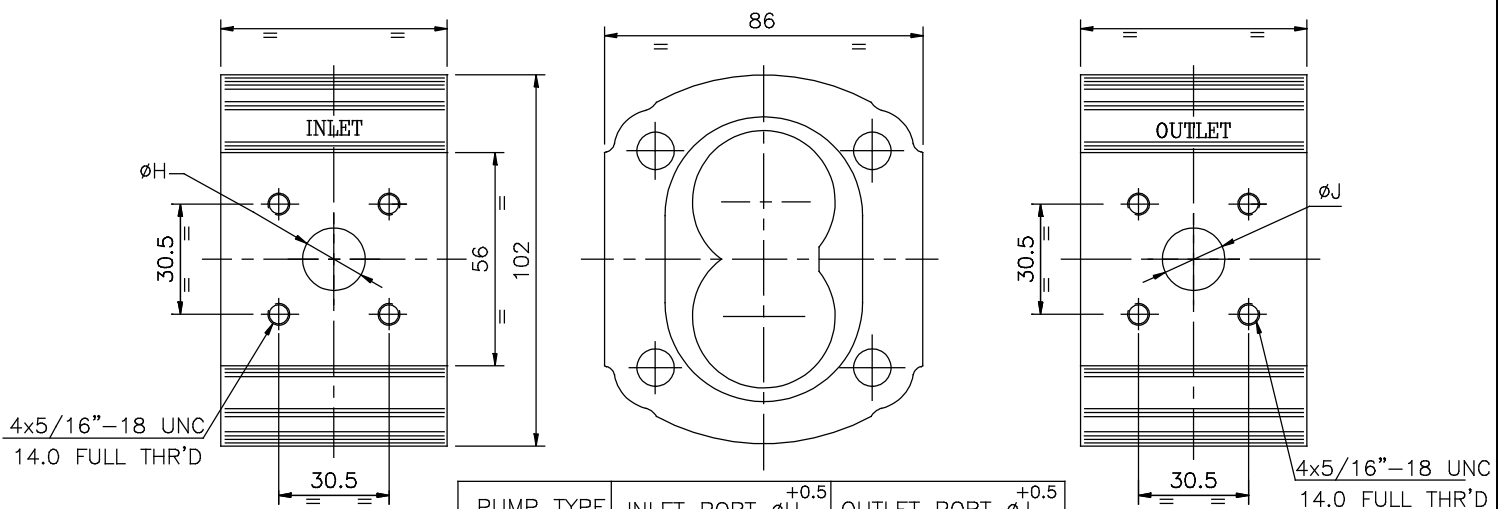
1P-4000 SERIES

BODY PORT CODE - T



PUMP TYPE	INLET PORT	THREAD DEPTH	OUTLET PORT	THREAD DEPTH
1P 4013	1/2" BSPF	14.0	1/2" BSPF	14.0
1P 4017	1/2" BSPF	14.0	1/2" BSPF	14.0
1P 4020	1/2" BSPF	14.0	1/2" BSPF	14.0
1P 4028	1/2" BSPF	14.0	1/2" BSPF	14.0
1P 4036	3/4" BSPF	17.8	1/2" BSPF	14.0
1P 4044	3/4" BSPF	17.8	3/4" BSPF	17.8
1P 4052	3/4" BSPF	17.8	3/4" BSPF	17.8
1P 4060	3/4" BSPF	17.8	3/4" BSPF	17.8
1P 4072	3/4" BSPF	17.8	3/4" BSPF	17.8
1P 4090	3/4" BSPF	17.8	3/4" BSPF	17.8

BODY PORT CODE - F

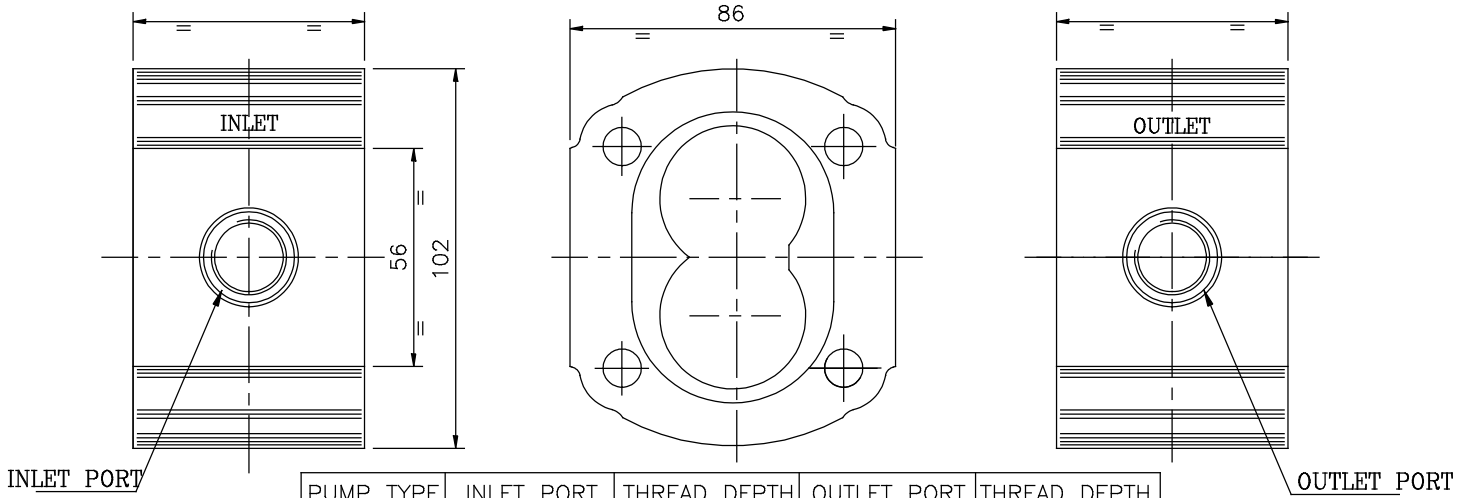


PUMP TYPE	INLET PORT $\phi H^{+0.5}$	OUTLET PORT $\phi J^{+0.5}$
1P 4013	17.3	17.3
1P 4017	17.3	17.3
1P 4020	17.3	17.3
1P 4028	17.3	17.3
1P 4036	17.3	17.3
1P 4044	20.3	20.3
1P 4052	20.3	20.3
1P 4060	20.3	20.3
1P 4072	20.3	20.3
1P 4090	20.3	20.3

ALL DIMENSIONS ARE IN MM UNLESS OTHERWISE SPECIFIED.

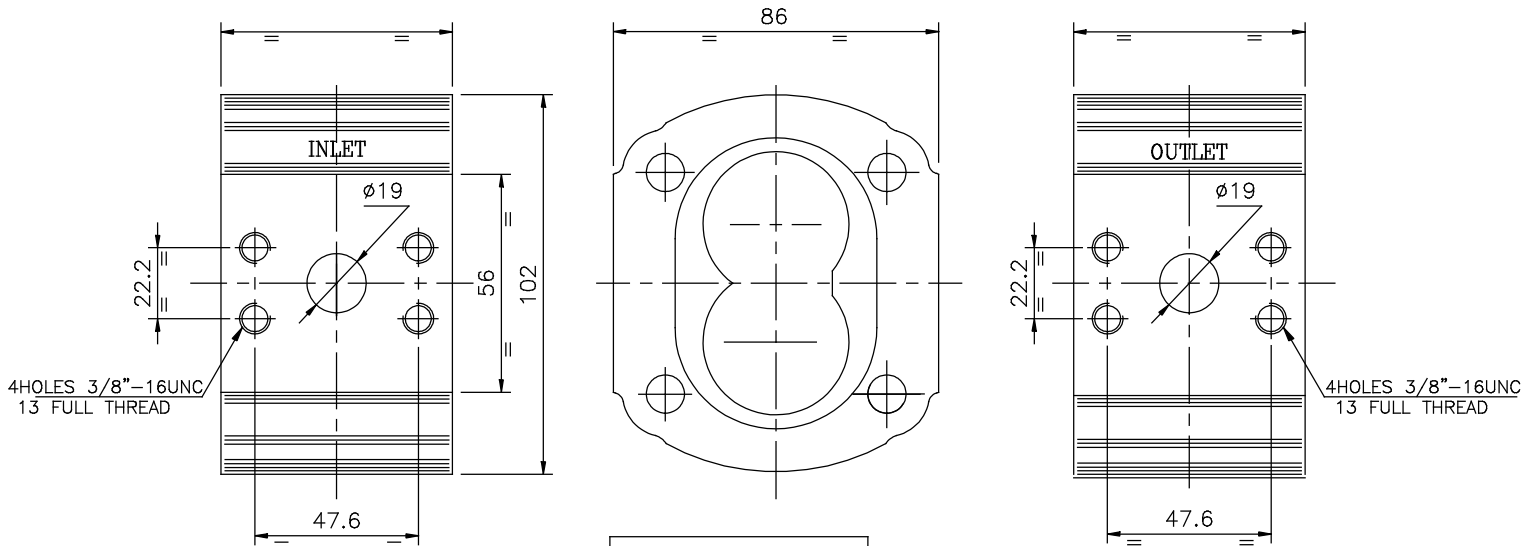
" CONSULT MARKETING FOR MORE FITMENT OPTIONS "

BODY PORT CODE - J
 SAE O-RING THREADED PORTS (SAE:J1926/1).



PUMP TYPE	INLET PORT	THREAD DEPTH	OUTLET PORT	THREAD DEPTH
1P 4013	1-1/16"12UN	19	7/8"-14UN	16.5
1P 4017	1-1/16"12UN	19	7/8"-14UN	16.5
1P 4020	1-1/16"12UN	19	7/8"-14UN	16.5
1P 4028	1-1/16"12UN	19	7/8"-14UN	16.5
1P 4036	1-1/16"12UN	19	7/8"-14UN	16.5
1P 4044	1-5/16"12UN	19	1-1/16"12UN	19
1P 4052	1-5/16"12UN	19	1-1/16"12UN	19
1P 4060	1-5/16"12UN	19	1-1/16"12UN	19
1P 4072	1-5/16"12UN	19	1-1/16"12UN	19
1P 4090	1-5/16"12UN	19	1-1/16"12UN	19

BODY PORT CODE - S

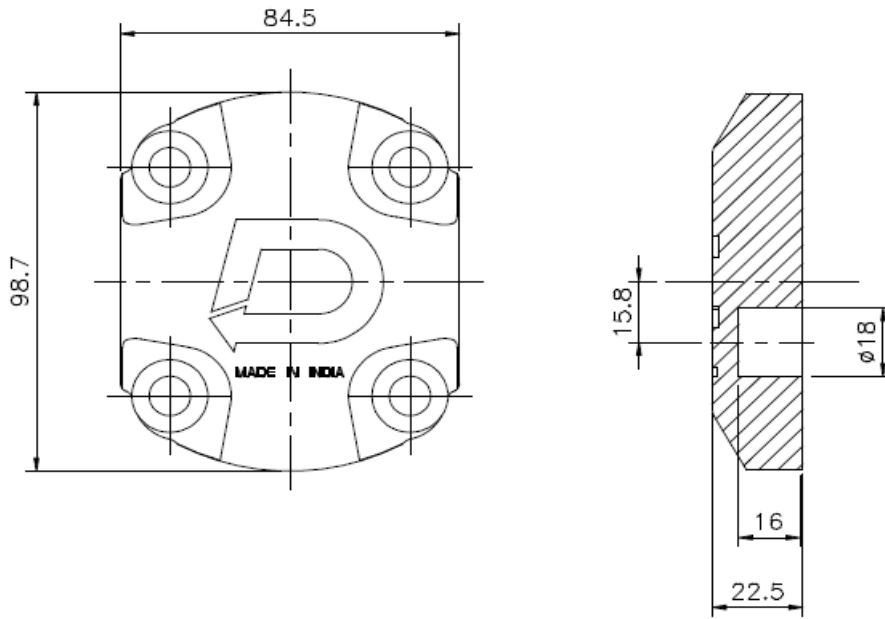


PUMP TYPE
1P 4044
1P 4052
1P 4060
1P 4072
1P 4090

ALL DIMENSIONS ARE IN MM UNLESS OTHERWISE SPECIFIED.

" CONSULT MARKETING FOR MORE FITMENT OPTIONS "

PUMP COVER CODE - A



PUMP COVER CODE - B

