



A Polyhydron Group Company

HAND PUMP WITH ROTARY DIRECTIONAL CONTROL VALVE Model : HP*-D

Ref. No. D 10180
Release 02 / 2017

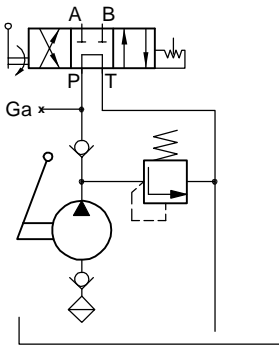
ENGINEERING - 1 of 2

Description

Hand pump model HP*-D are compact heavy duty pumps designed for industrial applications like operating small presses, fixtures as well as providing source of oil for hydraulically operated emergency equipments. These hand pumps are equipped with integral Rotary Directional Control Valve with two outlet ports for switching of the flow between the two sides of a double acting cylinder. The Rotary valve has pressure holding ability.

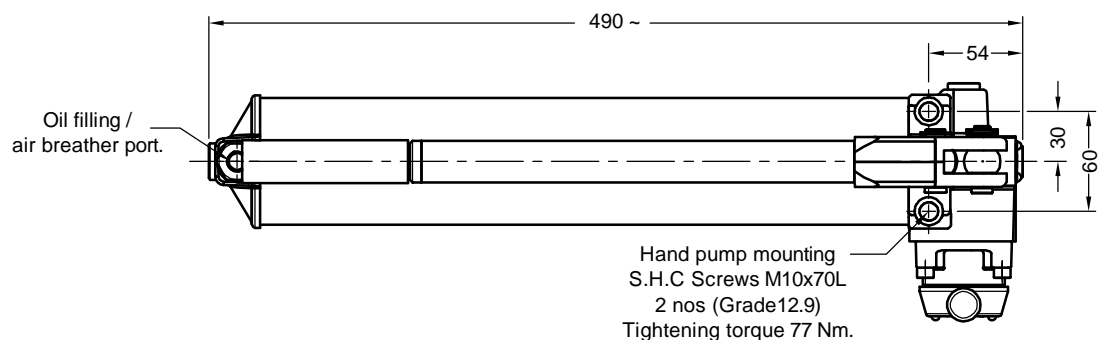
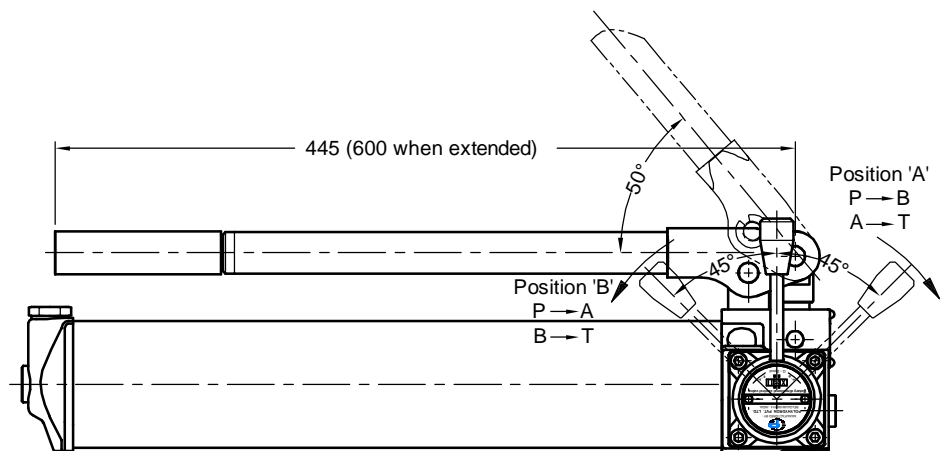
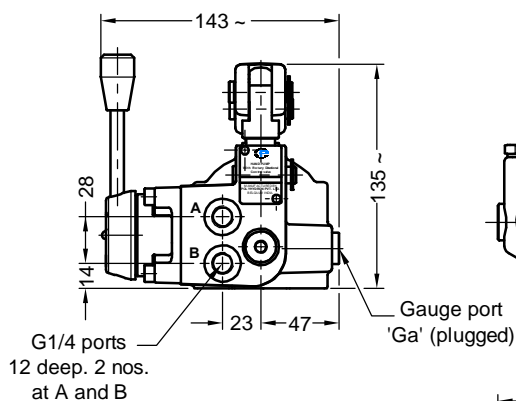
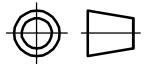


Hydraulic symbol



Unit dimensions

Dimensions in mm.



polyhydron pvt. ltd.

78-80, Machhe Industrial Estate,
Machhe, Belgaum - 590 014. INDIA.

Phone : +91-(0)831- 2411001
Fax : +91-(0)831- 2411002
E-mail : polyhydron@gmail.com
Website : www.polyhydron.com



Technical specifications

Construction	:	Sealed piston with ball type suction and delivery valve .
Hydraulic medium	:	Mineral oil.
Maximum working pressure	:	Refer table no.1
Displacement	:	Refer table no.1
Oil tank capacity	:	1.25 L
Oil tank displacement	:	0.8 L
Force required at the end of the pump hand lever at max. pressure (Approx)	:	Refer table no.1
Viscosity range	:	10 cSt to 380 cSt
Fluid temperature range	:	-20°C to +70°C
Fluid cleanliness requirement	:	ISO 4406 20/18/15 or better.
Mass (Approx)	:	Without Oil - 9 kg.

Table no. 1

Specification	Unit	HP12	HP16
Max. Working Pr.	bar	500	350
Displacement Capacity	cm ³ /stroke	2.8	5
Force required at the end of the pump hand lever fully extended at maximum pressure (approx).	N	270	340

Note : Force required to operate the lever of Rotary DCV under pressure is approximately 150 N at 500 bar.

Ordering code

