



A Polyhydron Group Company

COVER FOR PROPORTIONAL RELIEF VALVE Model : CVC*PRS**

Ref. No. D 09636
Release 02 / 2015

ENGINEERING - 1 of 2

Description

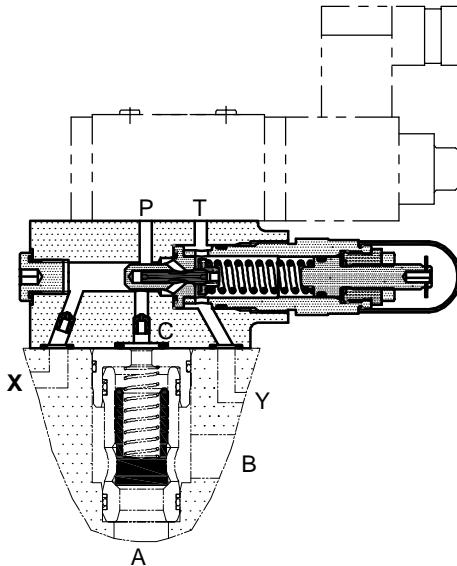
The Covers **CVC*PR** are designed to hold Polyhydron make 2 port slip-in cartridge valves model **CV***** in the cavities machined as per ISO 7368, and are meant to create a Proportional pilot operated relief function and a relieving function by incorporating a combination of Electrically operated proportional Relief valve and a mechanically adjustable Pressure Relief valve in the cover, in conjunction with a Slip-in Cartridge having a poppet ratio of 1:1 in the Slip-in cavity.

The Relief valve in the cover is intended for additional safety by limiting the maximum pressure in the line and can be set independently by using the pressure setting screw on the cartridge.

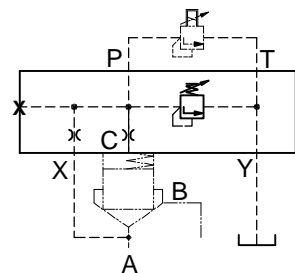
The electrically pressure proportional valve is not in the scope of supply.



Section



Hydraulic symbol



Technical specifications

Mounting interface	:	As per ISO 7368
Working pressure	:	350 bar.
Hydraulic medium	:	Mineral oil.
Temperature range	:	-20°C to + 80°C.
Viscosity range	:	10 cSt to 380 cSt.
Fluid cleanliness required	:	ISO 4406 20/18/15 (17/14/11 for long service life) or better.

polyhydron pvt. ltd.

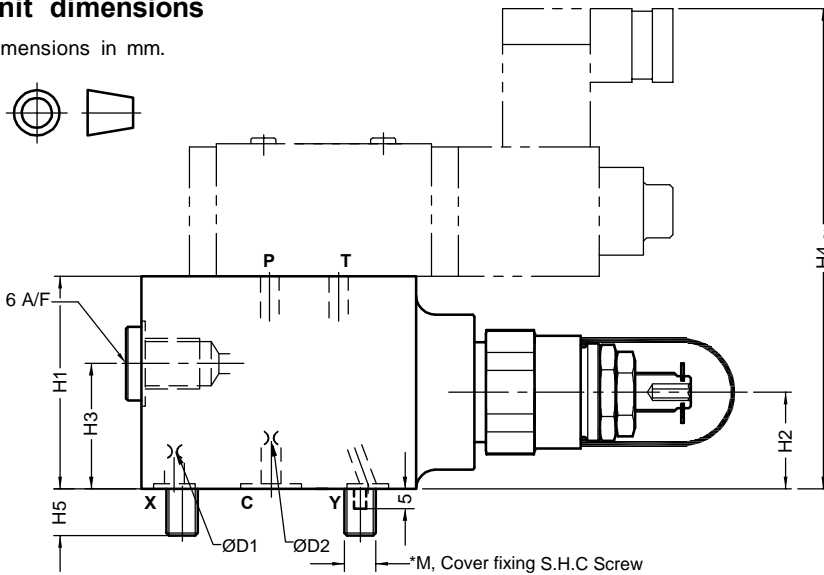
78-80, Machhe Industrial Estate,
Machhe, Belgaum - 590 014. INDIA.

Phone : +91-(0)831- 2411001
Fax : +91-(0)831- 2411002
E-mail : polyhydron@gmail.com
Website : www.polyhydron.com

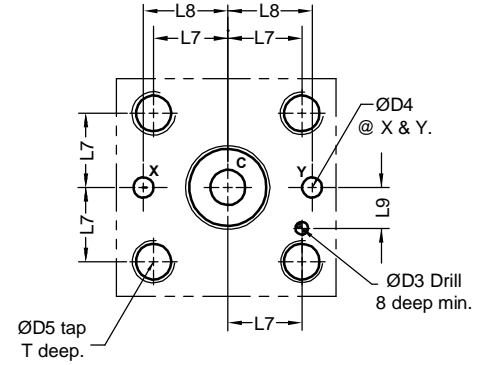


Unit dimensions

Dimensions in mm.

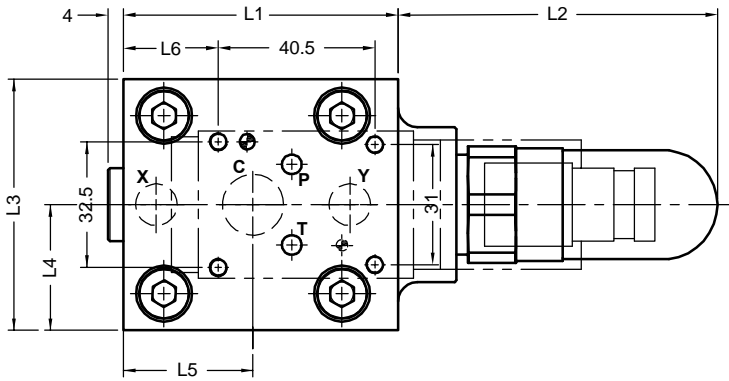


Cover mounting interface as per ISO 7368.



Notes:

1. Cover fixing S.H.C Screws are **OUT OF SCOPE OF SUPPLY.**
2. Mounting interface for Electrical Proportional Relief valve as per ISO 4401-03-02.



Size	Mass Kg. apprx	L1	L2	L3	L4	L5	L6	L7	L8	L9	ØD1	ØD2	ØD3	ØD4 max	ØD5	T	H1	H2	H3	H4	H5	*M. 4 nos. Cover fixing S.H.C. Screw (Class 12.9)	Tightening Torque.
16	2.5	67.5	86	65	32.5	33.5	24.5	23	25	10.5	0.8	1	4	4	M8	14	46	25	35	151	12	M8 x 40 Long	39 Nm
25	4.0	86	82.5	85	42.5	43.5	37	29	33	16	0.8	1	6	6	M12	20	50	28	28	155	18	M12 x 45 Long	135 Nm
32	5.0	102	67.5	102	51	51	37.5	35	41	17	1.2	1.2	6	8	M16	26	50	30	30	155	24	M16 x 55 Long	330 Nm
40	8.0	125	67.5	125	62.5	62.5	61	42.5	50	23	1.2	1.2	6	10	M20	33	60	30	49	165	30	M20 x 70 Long	650 Nm

Ordering code

