



BELL HOUSING ASSEMBLY BHP

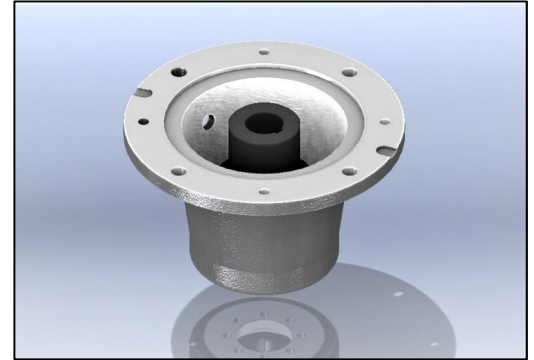
Ref. No. P 09035
Release 10/2018
ENGINEERING - 1 of 2

A Polyhydron Group Company

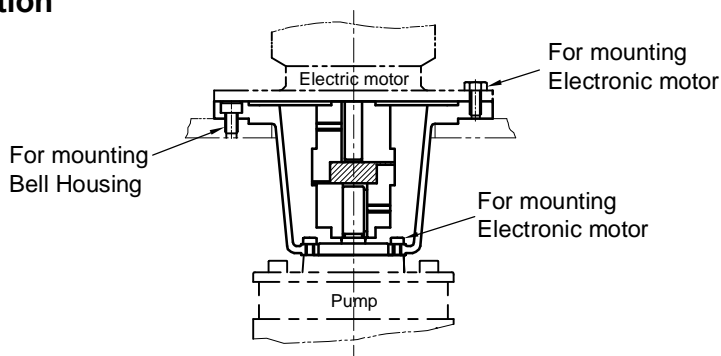
Description

The bell housing series BHP are designed for coupling Polyhydron make Radial Piston pumps series 1R, 2R, 11R and 12R to electric motors having metric flanges as per IS : 2223

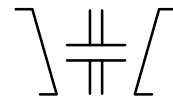
These bell housings, along with the resilient shaft couplings provide good shaft alignment and help in reducing undue load on the pump and motor bearings as well as vibration and noise



Section

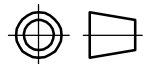
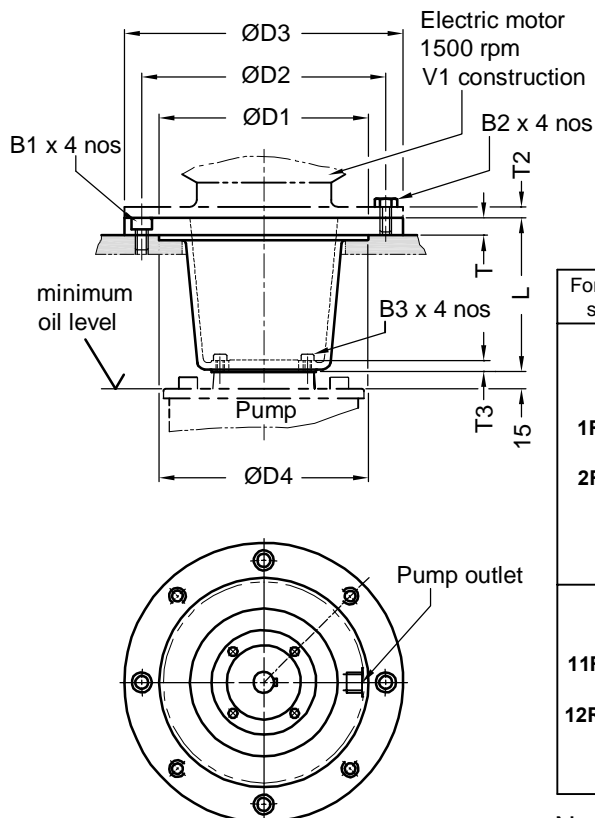


Hydraulic Symbol



Unit dimensions

Dimensions in mm.



For pump series	Electric motor # (of 1500 rpm)		Frame size	ØD1	ØD2	ØD3	ØD4	L	T	T2	T3	Bolt size		
	kW	hp										B1	B2	B3
1R/1RE and 2R/2RE	0.75	1	80 / 90	130	165	200	130	130	16	10	15	M10	M10	M8
	1.1	1.5												
	1.5	2												
	2.2	3	100 / 112	180	215	250	180	145	16	11	18	M10	M12	M8
	3.75	5												
	5.6	7.5	132	230	265	300	230	170	16	12	18	M10	M12	M8
	7.5	10												
	9.4	12.5												
11.2	15	160 / 180	250	300	350	250	200	20	13	18	M12	M16	M8	
15	20													
11R/11RE and 12R/12RE	3.75	5	100 / 112	180	215	250	180	155	16	11	15	M10	M12	M10
	5.6	7.5	132	230	265	300	230	180	16	12	15	M10	M12	M10
	7.5	10												
	9.4	12.5	160 / 180	250	300	350	250	205	20	13	15	M12	M16	M10
	11.2	15												
	15	20												
	18.75	25	160 / 180	250	300	350	250	205	20	13	15	M12	M16	M10
22.5	30													

Note : # For other speeds consult factory.

polyhydron pvt. ltd.

78-80, Machhe Industrial Estate,
Machhe, Belgaum - 590 014. INDIA.

Phone : +91-(0)831- 2411001
Fax : +91-(0)831- 2411002
E-mail : polyhydron@gmail.com
Website : www.polyhydron.com



Technical specification

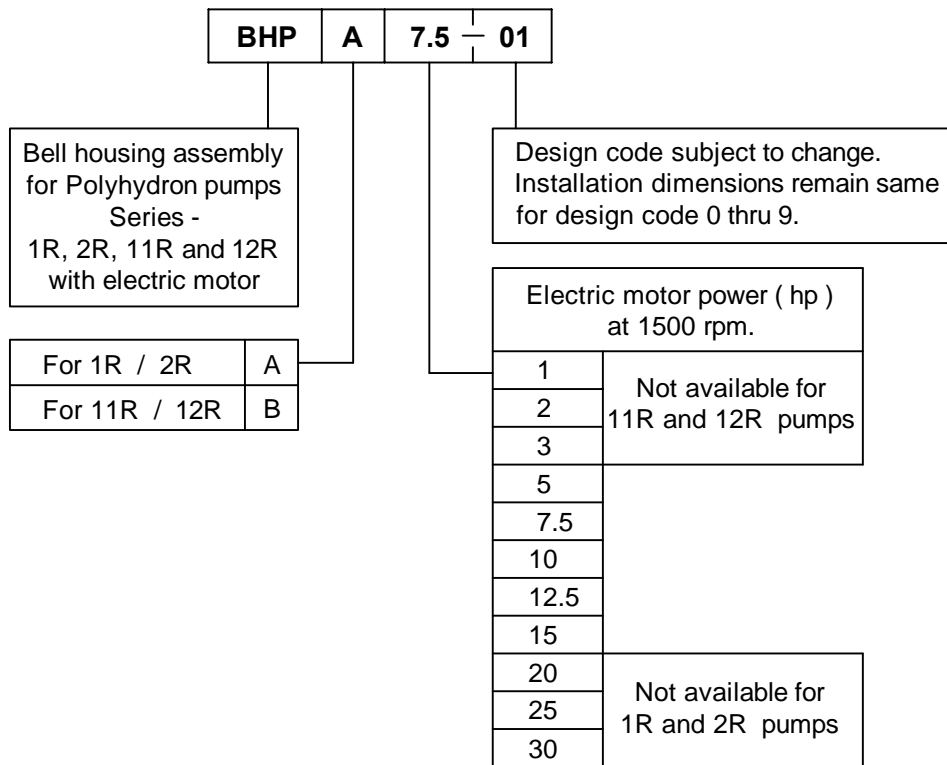
- Construction - Cast iron housing with flexible coupling
- Mounting style - Flange mounting.
- Mounting position - No limitations.
- Flexible coupling - Spider type.
- Working temperature - -20° to +70°C
- Mass (kg.) - For 1R / 2R :

HP	1, 1.5 & 2	3 & 5	7.5 & 10	12.5 & 15
Mass	7.5	9.5	15	24.5

For 11R / 12R :

HP	5	7.5 & 10	12.5, 15, 20, 25, 30
Mass	10.7	20	29.5

Ordering code



All rights reserved.
 Subject to change without notice.
 Due to continuous improvement in the design of the product, the actual product supplied may look different than shown above.
 For critical applications, please ask for certified installation drawing.