



COVER WITH STROKE LIMITER Model : CVC*TSX

Ref. No. D 03438
Release 11 / 2014

ENGINEERING - 1 of 2

A Polyhydron Group Company

Description

The Covers with Stroke limiter model **CVC*TSX** are designed to hold polyhydron make Cartridge valves model **CV***** in cavities machined as per ISO 7368, and provide facility to control the oil flow passing through these cartridges.

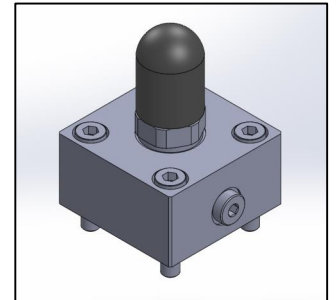
The flow passing through the cartridge can be controlled by controlling the opening of the poppet by means of a Stroke limiter screw provided in the cover. The throttling is effective in either directions.

Clockwise rotation of the Stroke Throttle screw will decrease the flow passage, thereby decreasing the flow.

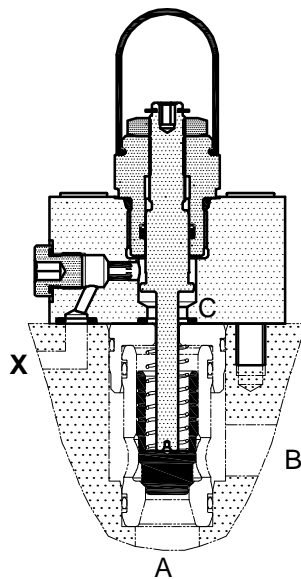
A check nut is provided to lock the Throttle Screw in its position.

A soft rubber cap prevents accidental damage to the Throttling Screw .

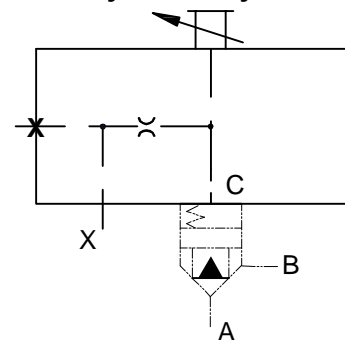
These Stroke limiters are more effective with cartridges having poppet with cushion nose.



Section



Hydraulic symbol



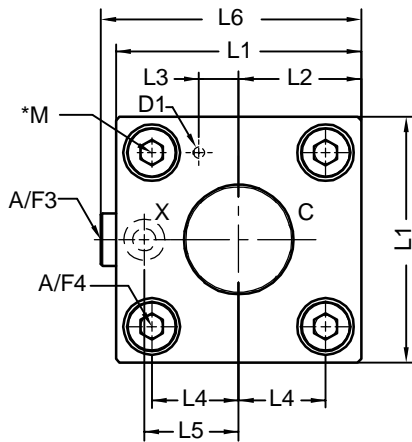
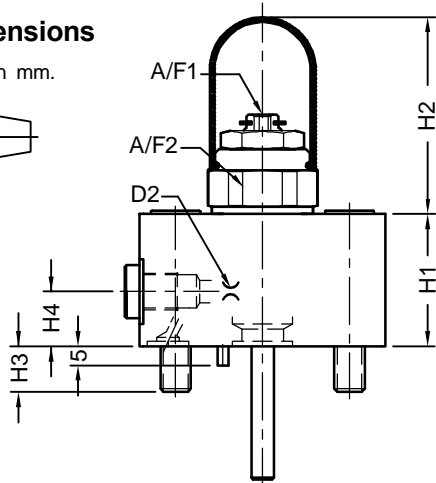
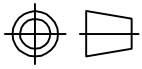
Technical specifications

Function	:	1. To hold Polyhydron Cartridges in cavity machined as per ISO 7368. 2. To provide adjustable stroke limiting facility to the poppet of the cartridge valves for controlling the flow by throttling.
Mounting interface	:	As per ISO 7368
Hydraulic medium	:	Mineral oil.
Temperature range	:	-20 to + 80°C.
Viscosity range	:	10 cSt to 380 cSt.
Fluid cleanliness required	:	ISO 4406 20/18/15 or better.



Unit dimensions

Dimensions in mm.



Note:

Mounting interface for cover as per ISO 7368, for dimensional details and engineering data refer Cartridge valve data sheet D03426.

* Cover fixing S.H.C Screws are **OUT OF SCOPE OF SUPPLY.**

Size	Mass Kg. apprx	L1	L2	L3	L4	L5	L6	D1	D2	H1	H2	H3	H4	A/F1	A/F2	A/F3	A/F4	*M. 4 nos. Cover fixing S.H.C. Screw (Class 12.9)	Tightening Torque.
16	1.2	65	32.5	10.5	23	25	69	3	1	35	52	12	14.5	4	27	5	6	M8 x 40 Long	39 Nm
25	2.3	85	42.5	16	29	33	89	5	1	40	52	18	19	4	27	6	10	M12 x 45 Long	135 Nm
32	4.2	102	51	17	35	41	106	5	1.2	50	66	24	20	8	41	6	14	M16 x 55 Long	330 Nm
40	7.7	125	62.5	23	42.5	50	130	5	1.2	60	66	30	25	8	41	10	17	M20 x 70 Long	650 Nm

Ordering code

