



JOYSTICK CONTROLLED PILOT OIL UNIT 4JP 10

ENGINEERING

1

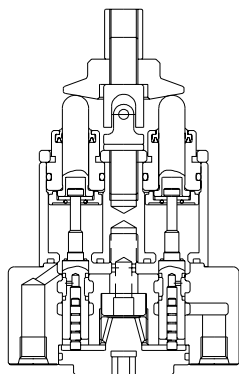
Ref. No. D 72200
Release 01 / 2007

Description

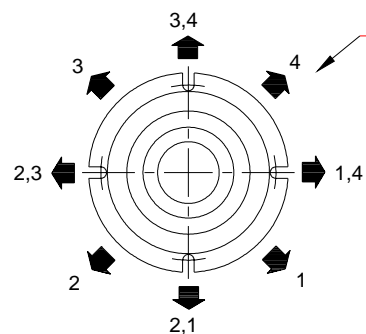
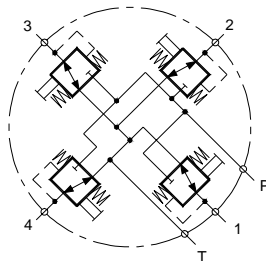
Pilot oil unit series 4JP are intended for giving sensitive pressure signals to pumps, Valves or Hydraulic motors which need to be controlled by remote pilot pressure. Functioning of these valves is based on spool type direct acting pressure reducing valve principle.



Section



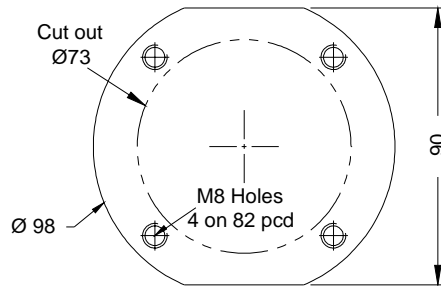
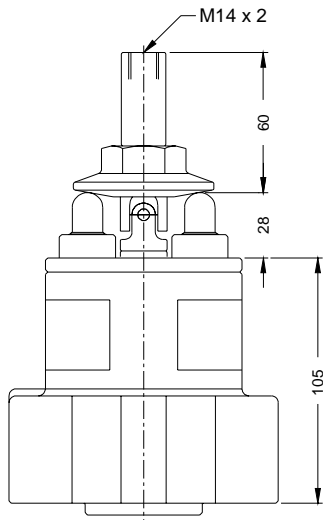
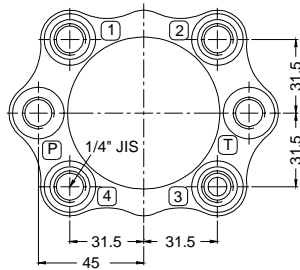
Hydraulic Symbol



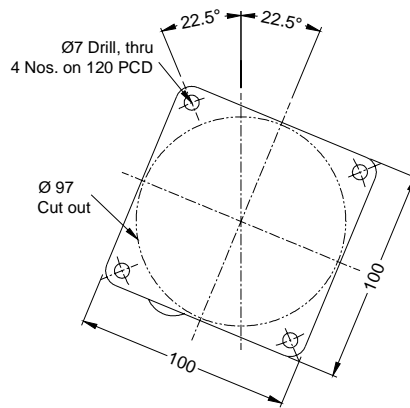
Direction of operation of the Joystick and pilot ports pressurised thereby.

Unit Dimension

Port Connection for ALL MODELS

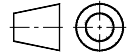


Mounting Details for 4JP10-A



Mounting Details for 4JP10-B

Dimensions in mm.



* Custom mounting option available on request

Polyhydron Pvt. Ltd.
78-80, Machhe Industrial Estate,
Machhe, Belgaum - 590 014. INDIA.

Phone : +91-(0)831-2411001
Fax : +91-(0)831-2411002
E-mail : polyhydron@vsnl.com
Website : www.polyhydron.com



**JOYSTICK CONTROLLED
PILOT OIL UNIT
4JP 10**

ENGINEERING

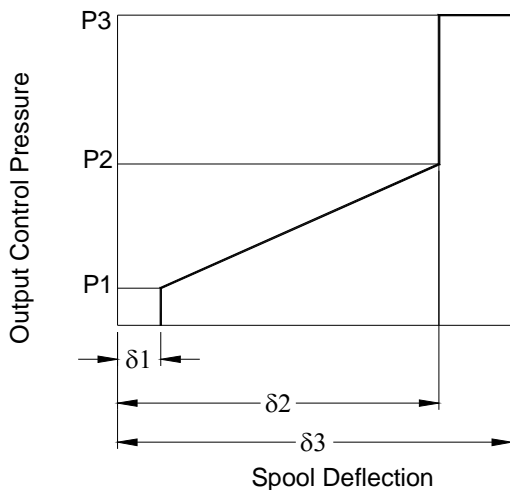
2

Ref. No. D 72200

Technical specification

Max. input pressure	50 bar.
Control Pressure	Refer graph.
Max. pressure at port T	3 bar.
Pilot oil flow range	2 l/min to 16 l/min.
Hysterises	1 bar.
Hydraulic medium	Mineral oil.
Working temperature range	-20 °C to +70 °C.
Fluid cleanliness requirement	As per ISO 16/13.
Viscosity range	2.8 cSt to 380 cSt.
Mass	5.1 kg.

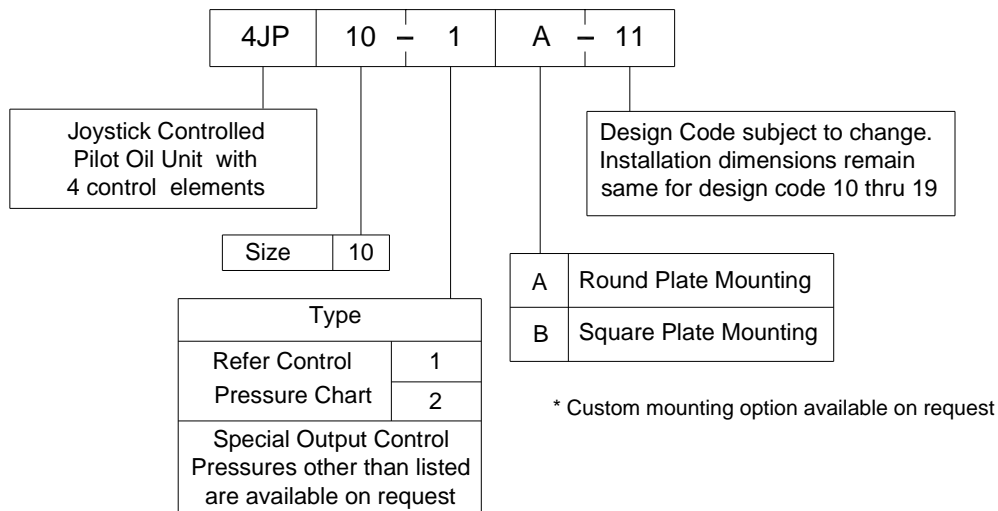
Control Pressure Curve



Control Pressure Chart

Type	Spool No	^{-0.2} δ1 mm	^{±1} P1 bar	^{-0.2} δ2 mm	^{±1} P2 bar	^{-0.2} δ3 mm	^{±1} P3 bar
1	1,2,3,4	2	6	6.5	15	7.5	50
2	1 & 3			6.5	26	7.5	
	2 & 4	7.5	26	9			

Ordering code





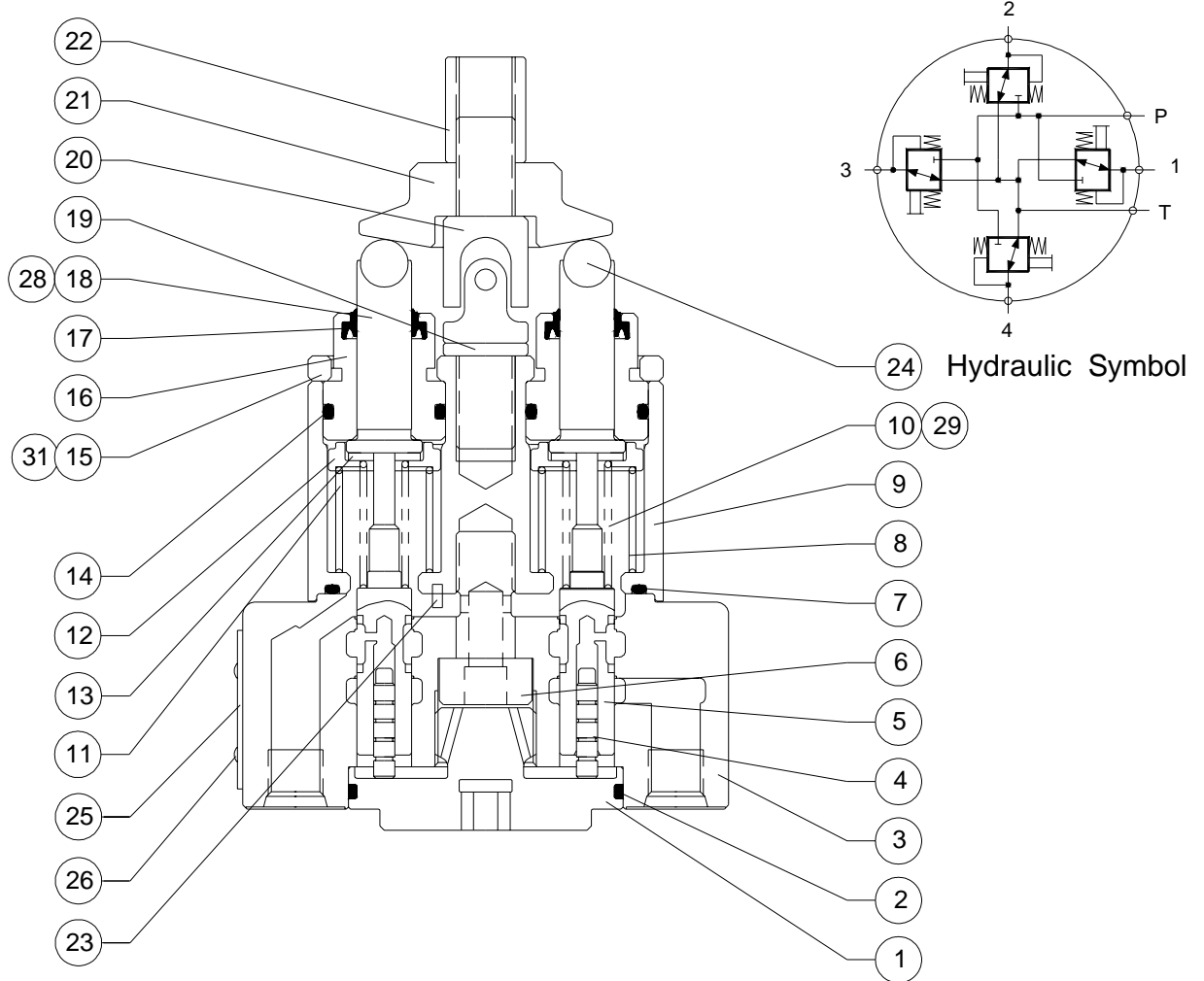
**JOYSTICK CONTROLLED
PILOT OIL UNIT
4JP 10**

SERVICE

3

Ref. No. S 72200

Sectional View and Parts List



Sl.No.	Description	Part No.	Qty
1	Flange		1
*	2 O'Ring 60 ID x 2.65 csd.(nitrile)	72202	1
3	Control Body		1
4	Pilot Pin		4
5	Spool		4
6	Bolt		1
*	7 O'Ring 71 I.D. x 2.5 CSD.(nitrile)	72207	1
8	Spring R.H. Code no. 72208		2
9	Housing		1
10	Spring L.H. Code no. 72210		2
11	Spring R.H. Code no. 72211		2
12	Stroke Limiter		4
13	Washer - U		4
*	14 O'Ring 22 id. x 3 csd.(nitrile)	72214	4
15	Plate	72215	1

Sl.No.	Description	Part No.	Qty
16	Guide	72216	4
*	17 Wiper seal	72217	4
18	Plunger (1,3)	72218	4
19	Washer		1
20	Universal Joint	72220	1
21	Bell		1
22	Adapter		1
23	Cylindrical Pin \varnothing 5 x 16 Long ^{m6}		1
24	Steel Ball \varnothing 10		4
25	Label		1
26	Rivetts		4
28	Plunger (2,4)	72228	2
29	Spring 1,3 (L.H.)	72229	2
31	Plate (Square)	72231	1

Note : Specified part numbers are available as spares.

* Recommended seal kit.



JOYSTICK CONTROLLED
PILOT OIL UNIT
4JP 10

SERVICE

4