

VT7EE or VT7EES - 066 - 045 - 1 R 00 - A 1 0 - 00 *

Series

VT7EE series- 250 B4HW
ISO 3019-2 mounting flange

VT7EES series- SAE E 4 bolts
Mounting flange J744c

Cam ring for "P1" & "P2"

Volumetric displacement cm³/rev (in³/rev)

042 = 132.2 (8.07)	057 = 183.2 (11.18)
045 = 142.5 (8.70)	062 = 196.6 (12.0)
050 = 158.5 (9.67)	066 = 213.0 (13.0)
052 = 163.8 (10.0)	072 = 227.1 (13.86)
054 = 170.9 (10.43)	085 = 268.7 (16.40)

Type of shaft VT7EE

2 - keyed G45N(ISO/R775 -G38M)

Type of shaft VT7EES

- 1 - keyed (SAE CC)
- 3 - splined (SAE CC)
- 4 - splined (SAE D & E)
- 5 - splined (SAE D & E)

Modifications

Mounting W/connection variables

P1 & P2= 11"		S=4"
	VT7EES	VT7EE-VT7EES
Type	UNC	METRIC
code	00	M0

Coupling adaptor

- 0 - none
- 2 - SAE B
- 3 - SAE BB

Seal class

- 1 - S1 (for mineral oil)
- 4 - S4 (for fire resistant fluids)
- 5 - S5 (for mineral oil and fire resistant fluids)

Design letter

Porting combination (see page BM-1-5)

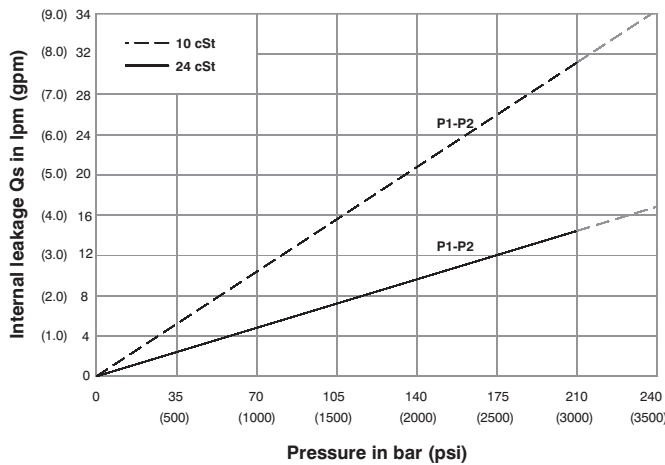
00 - standard

Direction of rotation

(view on shaft end)

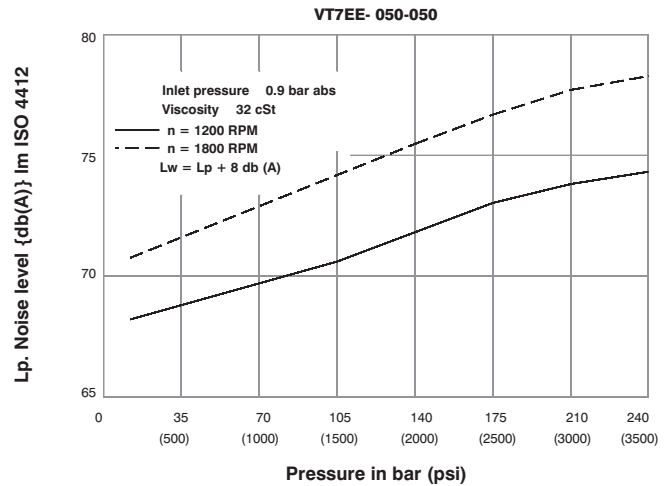
- R - clockwise
- L - counter-clockwise

INTERNAL LEAKAGE (TYPICAL)



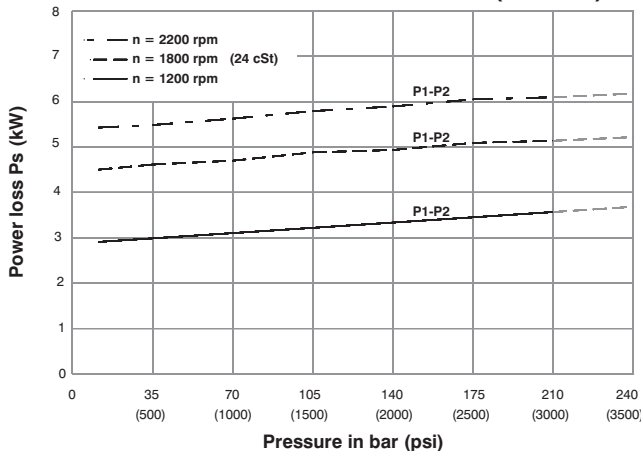
Do not operate pump more than 5 seconds at any speed or viscosity if internal leakage is more than 50% of theoretical flow. Total leakage is the sum of each section loss at its operating conditions.

NOISE LEVEL (TYPICAL)



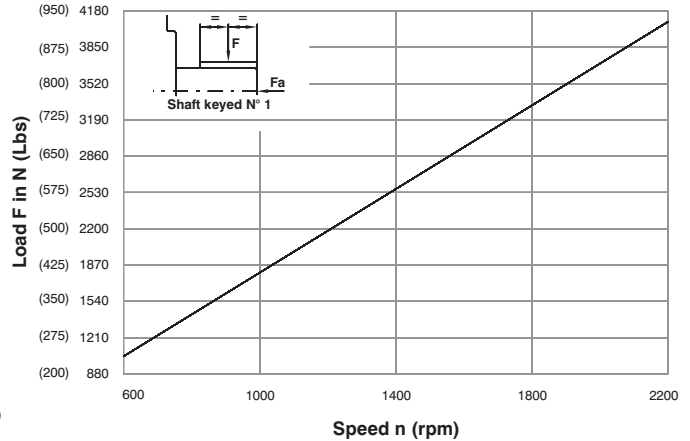
Double pump noise level is given with each section discharging at the pressure noted on the curve.

HYDROMECHANICAL POWER LOSS (TYPICAL)



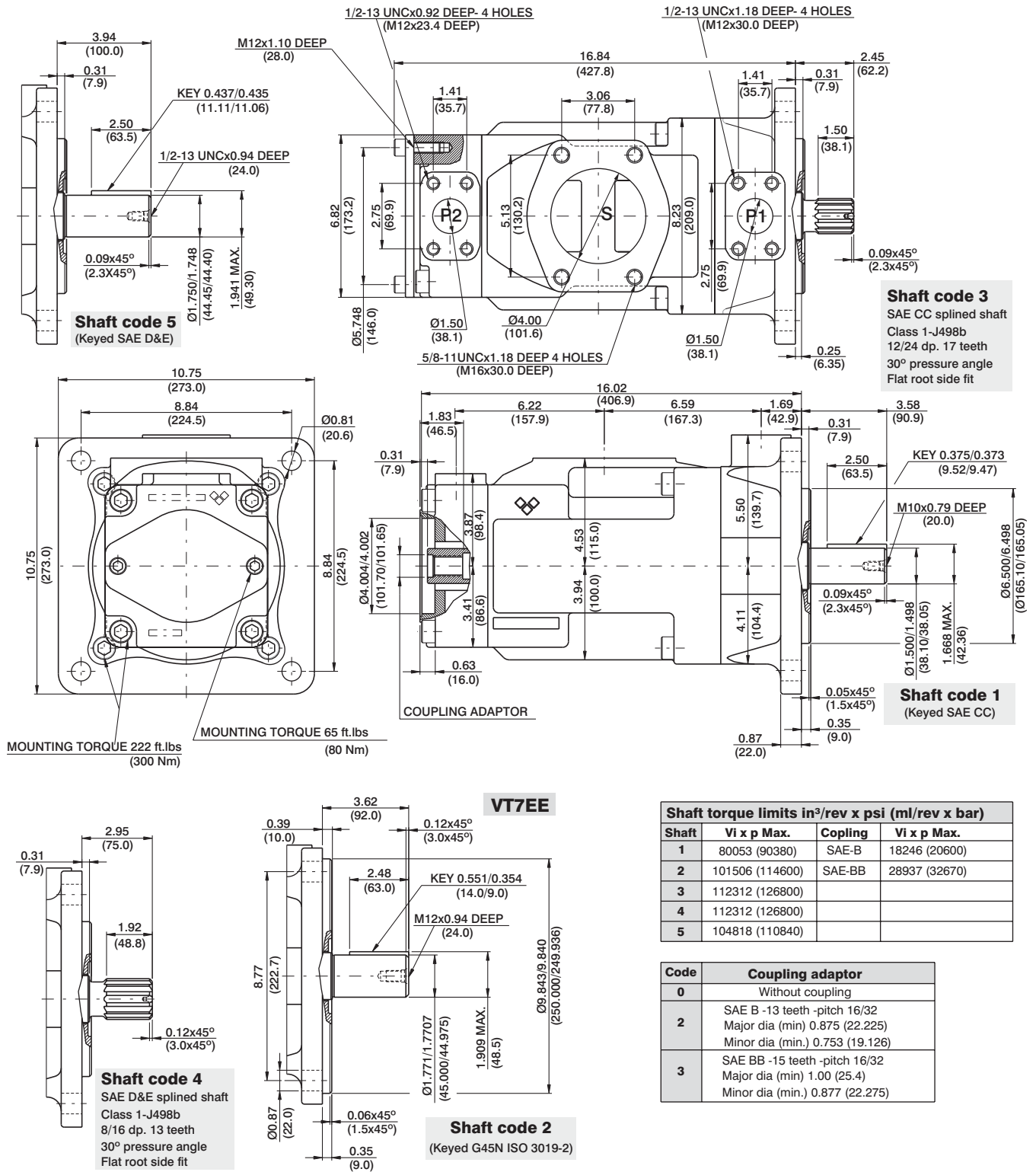
Total hydromechanical power loss is the sum of each section at its operating conditions.

PERMISSIBLE RADIAL LOAD



Maximum axial load permissible Fa = 2000 N (449 Lbs)





Shaft torque limits in ³ /rev x psi (ml/rev x bar)			
Shaft	Vi x p Max.	Coupling	Vi x p Max.
1	80053 (90380)	SAE-B	18246 (20600)
2	101506 (114600)	SAE-BB	28937 (32670)
3	112312 (126800)		
4	112312 (126800)		
5	104818 (110840)		

Code	Coupling adaptor
0	Without coupling
2	SAE B -13 teeth -pitch 16/32 Major dia (min) 0.875 (22.225) Minor dia (min.) 0.753 (19.126)
3	SAE BB -15 teeth -pitch 16/32 Major dia (min) 1.00 (25.4) Minor dia (min.) 0.877 (22.275)

OPERATING CHARACTERISTICS - TYPICAL (24 cST) (Input power p (KW) for one cartridge only)

Pressure port	Series	Volumetric Displacement Vp		Flow q & n = 1800 rpm						Input power p & n = 1800 rpm					
		in ³ /rev	cm ³ /rev	p = 0 bar (0 psi)		p = 140 bar (2000 psi)		p = 240 bar (3500 psi)		p = 7 bar (100 psi)		p = 140 bar (2000 psi)		p = 240 bar (3500 psi)	
				gpm	lpm	gpm	lpm	gpm	lpm	hp	kw	hp	kw	hp	kw
P1 & P2	042	8.07	132.2	62.92	237.8	60.37	228.2	58.52	221.2	8.09	6.03	78.44	58.49	133.80	99.77
	045	8.70	142.5	67.72	255.9	65.17	246.3	63.32	239.3	8.37	6.24	84.04	62.66	143.60	107.08
	050	9.67	158.5	75.38	284.9	72.83	275.3	70.98	268.3	8.82	6.58	92.97	69.32	159.24	118.75
	052	10.00	163.8	78.37	296.2	75.82	286.6	73.97	279.6	8.99	6.70	96.47	71.94	165.36	123.31
	054	10.43	170.9	81.27	307.2	78.72	297.6	76.87	290.6	9.17	6.84	99.75	74.38	177.46	132.33
	057	11.18	183.2	87.12	329.3	84.57	319.7	82.72	312.7	9.51	7.09	106.57	79.47	189.84	141.56
	062	12.00	196.6	93.54	353.6	90.99	343.9	89.14	336.9	9.88	7.37	114.17	85.13	196.34	146.41
	066	13.00	213.0	101.44	383.4	98.89	373.8	97.04	366.8	10.34	7.71	123.38	92.0	212.46	158.43
	072	13.86	227.1	108.00	408.2	105.45	398.6	103.60	391.6	10.72	7.99	131.04	97.71	225.86	166.42
085	16.40	268.7	127.79	483.0	126.13 ¹⁾	476.7 ¹⁾	--	--	11.88	8.85	101.66 ¹⁾	75.80 ¹⁾	--	--	

1) 085 = 90 bar (1300 psi) max.int.