

VT7DDB or VT7DDBS - 050 - B28 - B10 - 1 R 00 - A 1 - 00 *

VT7DDB series - ISO 4 bolts 3019-2

mounting flange 125 B4 HW

VT7DDBS series- SAE C 6 bolts

Mounting flange J744c

Cam ring for "P1" & "P2"

Volumetric displacement cm³/rev (in³/rev)

B14 = 43.9 (2.68)	B31 = 99.1 (6.05)
B17 = 55.0 (3.36)	B35 = 113.4 (6.92)
B20 = 66.0 (4.03)	B38 = 120.6 (7.36)
B22 = 70.3 (4.29)	B42 = 137.5 (8.39)
B24 = 81.1 (4.95)	045 = 145.7 (8.89)
B28 = 89.9 (5.49)	050 = 157.9 (9.64)

Cam ring for "P3"

Volumetric displacement cm³/rev (in³/rev)

B02 = 5.7 (0.35)	B09 = 28.0 (1.71)
B03 = 9.8 (0.60)	B10 = 31.8 (1.94)
B04 = 12.8 (0.78)	B11 = 34.9 (2.13)
B05 = 15.9 (0.97)	B12 = 40.9 (2.50)
B06 = 19.8 (1.21)	B14 = 45.1 (2.75)
B07 = 22.5 (1.37)	B15 = 50.0 (3.05)
B08 = 24.9 (1.52)	

Type of Shaft VT7DDBS

- 1 - Keyed (SAE C)
- 2 - Keyed (SAE CC)
- 3 - Splined (SAE C)
- 4 - Splined (SAE CC)

Type of Shaft VT7DDB-VT7DDBS

- 5 - Keyed (ISO R775-G38M)

Modifications

Mounting w/connection variables

4 bolts SAE flange (J518)

	P1 & P2= 1"1/4 S = 4"	
	P3	UNC METRIC
VT7DDB	1"	M0
VT7DDBS	3/4"	M1
VT7DDBS	1"	00 M0
VT7DDBS	3/4"	01 M1

Seal class

- 1 - S1 (for mineral oil)
- 4 - S4 (for fire resistant fluids)
- 5 - S5 (for mineral oil and fire resistant fluids)

Design letter

Porting combination (see page CI-1-4,5)

00 = Standard

Direction of rotation (view on shaft end)

- R - Clockwise
L - Counter - clockwise

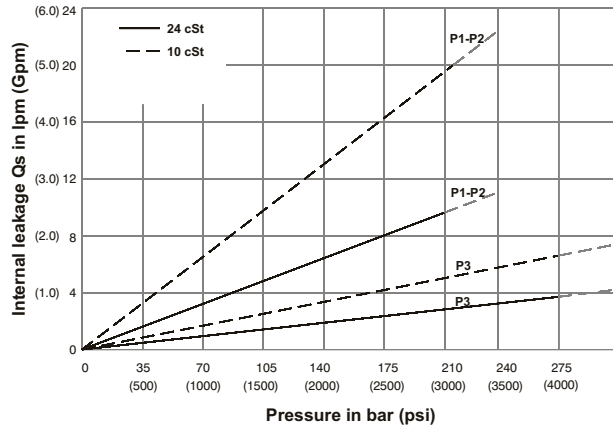
TP

OPERATING CHARACTERISTICS - TYPICAL (24 cST) (Input power p (KW) for one cartridge only)

Pressure port	Series	Volumetric Displacement Vp		Flow q & n = 1800 rpm						Input power p & n = 1800 rpm					
				p = 0 bar (0 psi)		p = 140 bar (2000 psi)		p = 250 bar (3630 psi)		p = 7 bar (100 psi)		p = 140 bar (2000 psi)		p = 250 bar (3630 psi)	
				in ³ /rev	cm ³ /rev	gpm	lpm	gpm	lpm	gpm	lpm	hp	kw	hp	kw
P1 & P2	B14	2.68	43.9	20.92	79.1	19.18	72.5	17.81	67.3	3.46	2.6	27.77	20.7	47.03	35.1
	B17	3.36	55.0	26.16	98.8	24.41	92.3	23.04	87.0	3.77	2.8	33.88	25.3	57.71	43.0
	B20	4.03	66.0	31.39	118.6	29.64	112.0	28.27	106.8	4.07	3.0	39.98	29.8	68.39	51.0
	B22	4.29	70.3	33.43	126.4	31.69	119.8	30.32	104.6	4.19	3.1	42.37	31.6	72.57	54.1
	B24	4.95	81.1	38.57	145.8	36.82	139.2	35.45	134.0	4.49	3.4	48.36	36.1	83.06	61.9
	B28	5.49	89.9	42.80	161.8	41.06	155.2	39.69	150.0	4.74	3.5	53.30	39.7	91.70	68.4
	B31	6.05	99.1	47.18	178.3	45.43	171.7	44.06	166.5	4.99	3.7	58.41	43.6	100.63	75.0
	B35 ¹⁾	6.92	113.4	53.93	203.9	52.18	197.2	50.81	192.0	5.39	4.0	66.29	49.4	114.42	85.3
	B38 ¹⁾	7.36	120.6	57.35	216.8	55.61	210.2	54.24	204.9	5.59	4.2	70.28	52.4	121.42	90.5
	B42 ²⁾	8.39	137.5	65.39	247.2	63.65	240.6	62.28	235.4	6.05	4.5	79.66	59.4	137.83	102.8
	045 ³⁾	8.89	145.7	69.29	262.0	67.11	253.6	65.31	246.8	6.74	5.0	83.75	62.4	145.79	108.7
	050 ⁴⁾	9.64	157.9	75.14	284.0	72.96	275.8	71.78	271.3	7.08	5.3	90.58	67.5	154.50	116.3
P3				p = 0 bar (0 psi)		p = 140 bar (2000 psi)		p = 300 bar (4350 psi)		p = 7 bar (100 psi)		p = 140 bar (2000 psi)		p = 300 bar (4350 psi)	
	B02	0.35	5.7	2.76	10.4	2.33	8.8	1.80	6.8	0.74	0.55	4.02	3.0	8.10	6.0
	B03	0.60	9.8	4.66	17.6	4.23	15.9	3.70	14.0	0.85	0.63	6.24	4.7	12.93	9.6
	B04	0.78	12.8	6.09	23.0	5.66	21.4	5.13	19.4	0.94	0.70	7.90	5.9	16.55	12.3
	B05	0.97	15.9	7.56	28.6	7.13	26.9	6.60	25.0	1.02	0.76	9.62	7.2	20.29	15.1
	B06	1.21	19.8	9.42	35.6	8.99	33.9	8.46	32.0	1.13	0.84	11.79	8.8	25.00	18.6
	B07	1.37	22.5	10.70	40.4	10.27	38.8	9.74	36.8	1.20	0.89	13.29	9.9	28.26	21.1
	B08	1.52	24.9	11.84	44.7	11.41	43.1	10.88	41.1	1.27	0.95	14.62	10.9	31.15	23.2
	B09	1.71	28.0	13.31	50.3	12.87	48.6	12.35	47.0	1.36	1.01	16.35	12.2	34.92	26.1
	B10	1.94	31.8	15.12	57.2	14.69	55.5	14.16	53.5	1.46	1.10	18.45	13.8	39.48	29.4
	B11 ⁵⁾	2.13	34.9	16.64	62.9	16.19	61.2	15.68	59.3	1.55	1.16	20.17	15.0	43.22	32.2
	B12 ⁵⁾	2.50	40.9	19.50	73.7	19.07	72.1	18.54	70.1	1.72	1.28	23.55	17.6	50.58	37.7
	B14 ⁵⁾	2.75	45.1	21.40	80.8	20.95	79.2	20.44	77.0	1.83	1.36	25.80	19.2	55.48	41.4
	B15 ⁵⁾	3.05	50.0	23.78	89.8	23.35	88.3	22.88	86.5	1.97	1.45	28.55	21.3	57.35	42.7

1) B35-B38 = 280 bar (4060 psi) max.int. 2) B42 = 260 bar (3770 psi) max.int. 3) 045 = 240 bar (3500 psi) max. int. 4) 050 = 210 bar (3000 psi) max. int.
5) B11-B12-B14 = 300 bar (4350 psi) & B15 = 280 bar (4060 psi) max. int. And Max. Speed = 3000 rpm

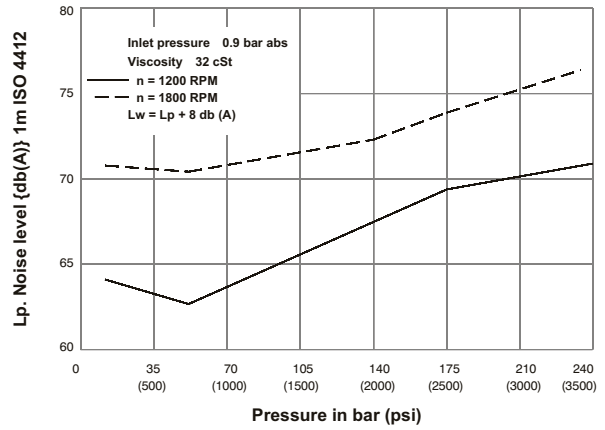
INTERNAL LEAKAGE (TYPICAL)



Do not operate pump more than 5 seconds at any speed or viscosity if internal leakage is more than 50% of theoretical flow. Total leakage is the sum of each section loss at its operating conditions.

NOISE LEVEL (TYPICAL)

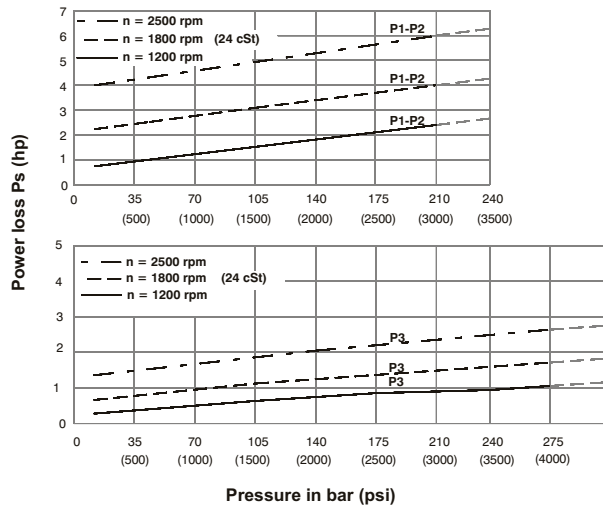
VT7DDB- B31-B31-B10



Triple pump noise level is given with each section discharging at the pressure noted on the curve.

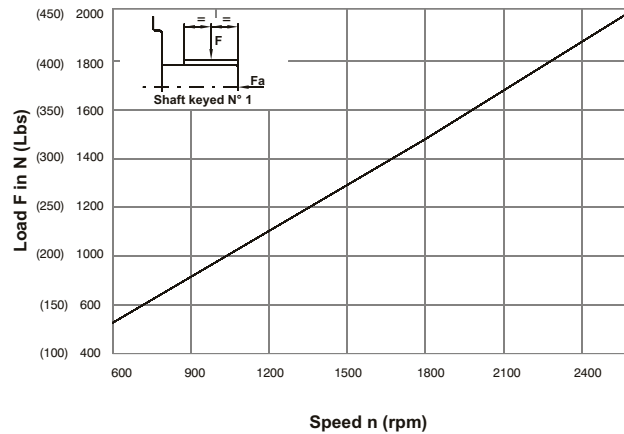


HYDROMECHANICAL POWER LOSS (TYPICAL)



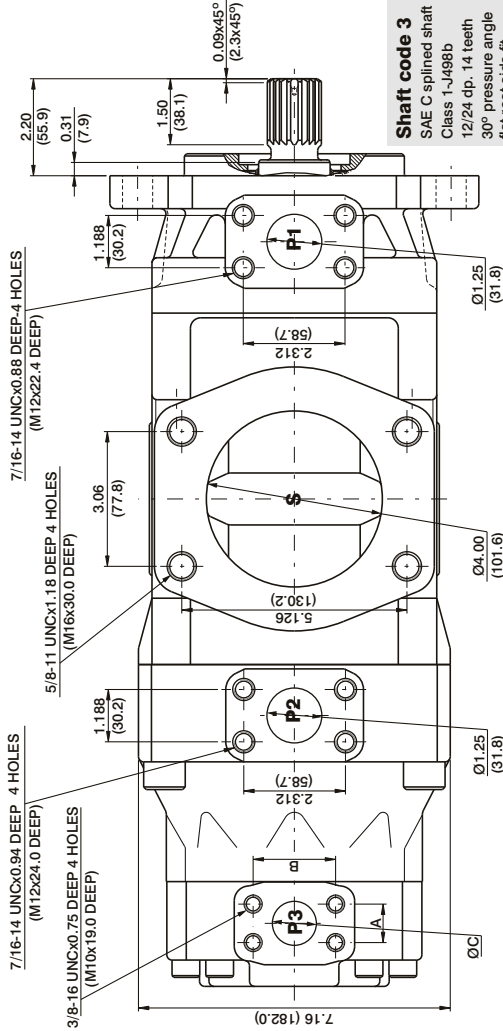
Total hydromechanical power loss is the sum of each section at its operating conditions.

PERMISSIBLE RADIAL LOAD

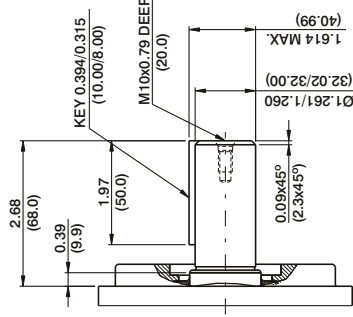


Maximum permissible axial load $F_a = 1200$ N (270 Lbs)

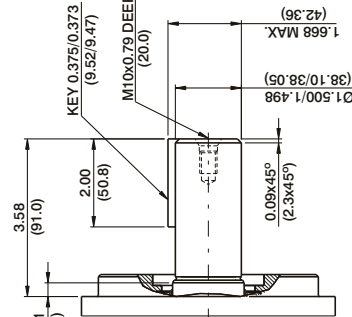
TP



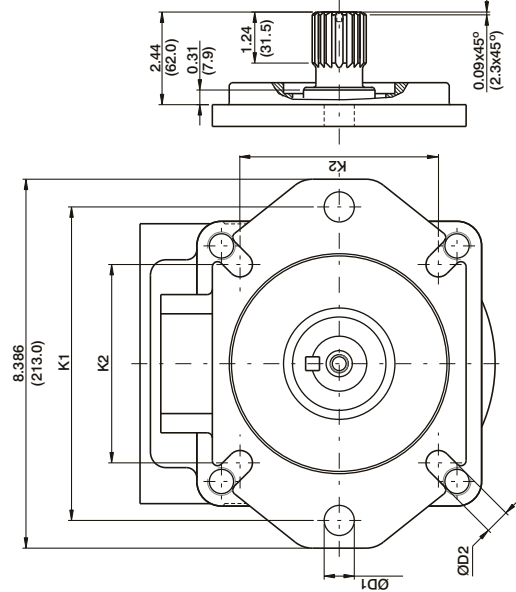
Shaft code 3
SAE C splined shaft
Class 1-J498b
12/24 dp, 14 teeth
30° pressure angle
flat root side fit



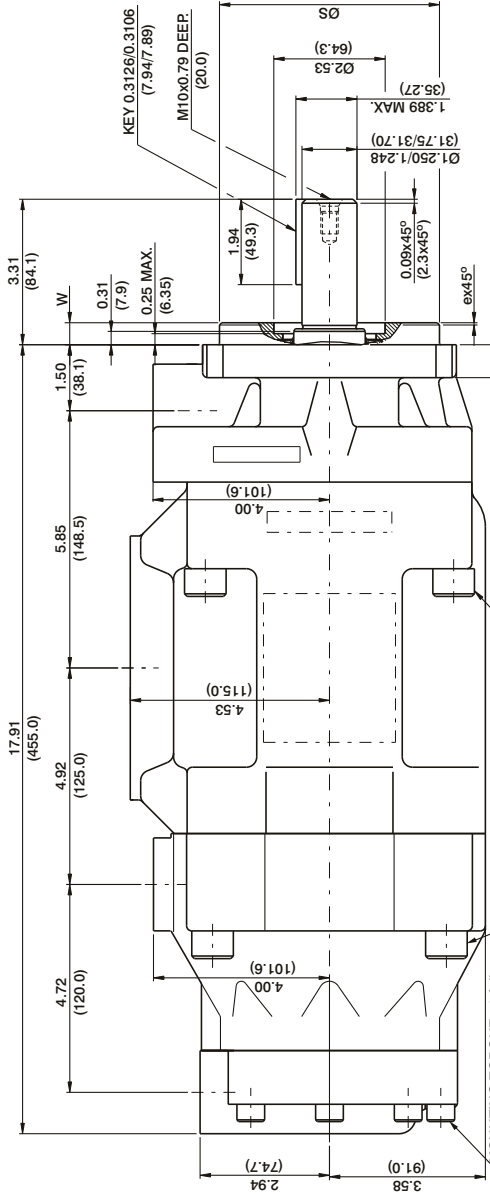
Shaft code 5
(Keyed ISO R775 - G38M)



Shaft code 2
(Keyed SAE CC)



Shaft code 4
SAE CC splined shaft
Class 1-J498b
16/32 dp, 17 teeth
30° pressure angle
flat root side fit



Shaft code 1
(Keyed SAE C)

Alternate connect variables	Ø1 & M1	
	Ø0 & M0	Ø1 & M1
A	1.03 (26.2)	0.874 (22.2)
B	2.06 (52.4)	1.874 (47.6)
C	1.00 (25.4)	0.75 (19.05)

Series	Alternate mounting flange		
	MAX.	Min.	ØS
VT7DDB	4.921 (124.99)	4.919 (124.94)	0.079 (2.0)
VT7DDBS	5.00 (127.00)	4.998 (126.94)	0.059 (1.5)

Shaft	Vp x p max. (P1+P2+P3)
1	38299 (43240)
2	64044 (72378)
3	54207 (61200)
4	58902 (66567)
5	47033 (53153)