

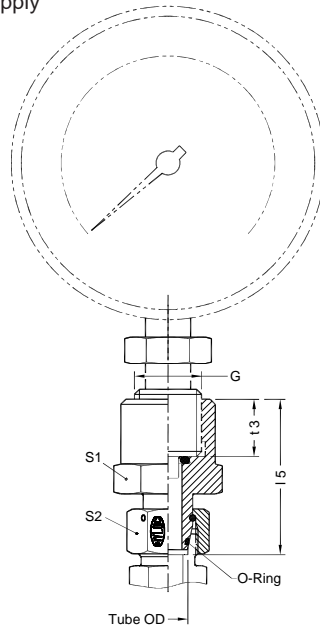
Adjustable Pressure Gauge Standpipes with O-Ring

MAVE-G

Dimensions in mm

DIN Fittings

For Metric Tube ends (24°) as per ISO 8434
Gauge is not in scope of supply



Low Pressure Series

Part No.	Series	Tube od	Connection thread G	t 3	l 5	S1	S2	O-Ring ID x CSD
MAVE06LG02	250 bar	6	G 1/4	10	35.5	19	14	4.0 x 1.5
MAVE08LG02		8	G 1/4	10	35.5	19	17	6.0 x 1.5
MAVE10LG02		10	G 1/4	10	36.0	19	19	7.5 x 1.5
MAVE12LG02		12	G 1/4	10	36.0	19	22	9.0 x 1.5
MAVE06LG03	250 bar	6	G 3/8	13	37.0	24	14	4.0 x 1.5
MAVE08LG03		8	G 3/8	13	37.5	24	17	6.0 x 1.5
MAVE10LG03		10	G 3/8	13	38.5	24	19	7.5 x 1.5
MAVE12LG03		12	G 3/8	13	38.0	24	22	9.0 x 1.5
MAVE06LG04	250 bar	6	G 1/2	16	42.5	27	14	4.0 x 1.5
MAVE08LG04		8	G 1/2	16	43.0	27	17	6.0 x 1.5
MAVE10LG04		10	G 1/2	16	43.5	27	19	7.5 x 1.5
MAVE12LG04		12	G 1/2	16	45.0	27	22	9.0 x 1.5

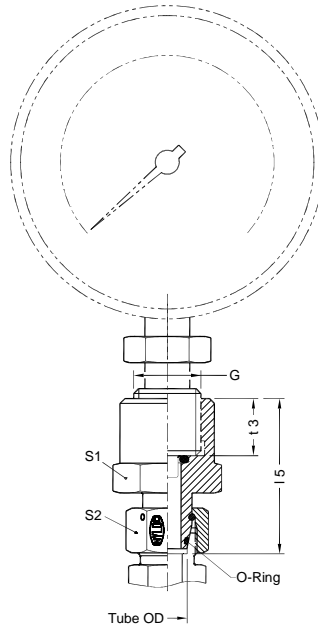
Adjustable Pressure Gauge Standpipes with O-Ring

MAVE-G

Dimensions in mm

DIN Fittings

For Metric Tube ends (24°) as per ISO 8434
Gauge is not in scope of supply



High Pressure Series

Part No.	Series	Tube od	Connection thread G	t 3	l 5	S1	S2	O-Ring ID x CSD
MAVE06SG02	630 bar	6	G 1/4	10	35.5	19	17	4.0 x 1.5
MAVE08SG02		8	G 1/4	10	35.5	19	19	6.0 x 1.5
MAVE10SG02		10	G 1/4	10	39.0	19	22	7.5 x 1.5
MAVE12SG02		12	G 1/4	10	39.0	19	24	9.0 x 1.5
MAVE06SG03	630 bar	6	G 3/8	13	37.0	24	17	4.0 x 1.5
MAVE08SG03		8	G 3/8	13	36.0	24	19	6.0 x 1.5
MAVE10SG03		10	G 3/8	13	37.5	24	22	7.5 x 1.5
MAVE12SG03		12	G 3/8	13	37.0	24	24	9.0 x 1.5
MAVE06SG04	630 bar	6	G 1/2	16	42.5	27	17	4.0 x 1.5
MAVE08SG04		8	G 1/2	16	43.0	27	19	6.0 x 1.5
MAVE10SG04		10	G 1/2	16	43.5	27	22	7.5 x 1.5
MAVE12SG04		12	G 1/2	16	45.0	27	24	9.0 x 1.5